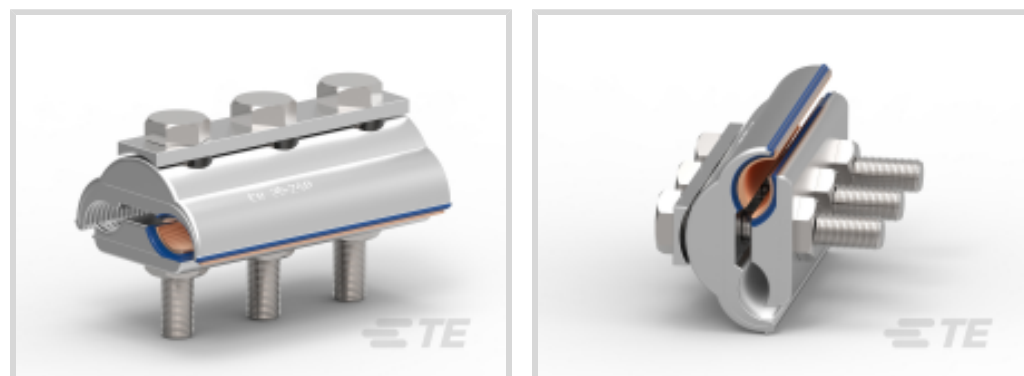




Energy & Power > Power Systems Connectors > Power Systems Clamps

Power System Clamp Product Availability: **Worldwide**Power System Clamp Technology: **Bolted Type**Power System Clamp Voltage Class: **≤ 42 kV**Overhead: **Yes**PG Clamp for Aluminum Cables: **No**

Features

Product Type Features

Product Family	Bolted Parallel Groove Clamp
Power System Clamp Technology	Bolted Type
PG Clamp for Aluminum Cables	No
PG Clamp for Aluminum/Copper BM	Yes
PG Clamp for Copper Cables	No

Electrical Characteristics

Power System Clamp Voltage Class	≤ 42 kV
----------------------------------	---------

Body Features

Weight	680 gr/pc
--------	-----------

Mechanical Attachment

Tightening Torque (Recommended)	44 Nm
---------------------------------	-------

Dimensions

Bolt Size	3 x M10
Conductor Diameter (Aluminum)	7.5 – 22.5 mm
Conductor Cross-Section (Copper)	35 – 240 mm ²
Conductor Cross-Section (AAC)	35 – 300 mm ²
Conductor Cross-Section (ACSR)	35/6 – 265/35 mm ²
Conductor Diameter (Copper)	7.5 – 20.2 mm



Operation/Application

Application Type	Bare Overhead Lines
Overhead	Yes

Industry Standards

Standard Reference	VDE 0210 & 0212
--------------------	-----------------

Product Availability

Power System Clamp Product Availability	Worldwide
---	-----------

Product Compliance

For compliance documentation, visit the product page on TE.com>

EU RoHS Directive 2011/65/EU	Compliant
EU ELV Directive 2000/53/EC	Compliant
China RoHS 2 Directive MIIT Order No 32, 2016	No Restricted Materials Above Threshold
EU REACH Regulation (EC) No. 1907/2006	Current ECHA Candidate List: JAN 2022 (223) Candidate List Declared Against: JUN 2016 (169) SVHC > Threshold: Not Yet Reviewed
Halogen Content	Not Yet Reviewed for halogen content
Solder Process Capability	Not applicable for solder process capability

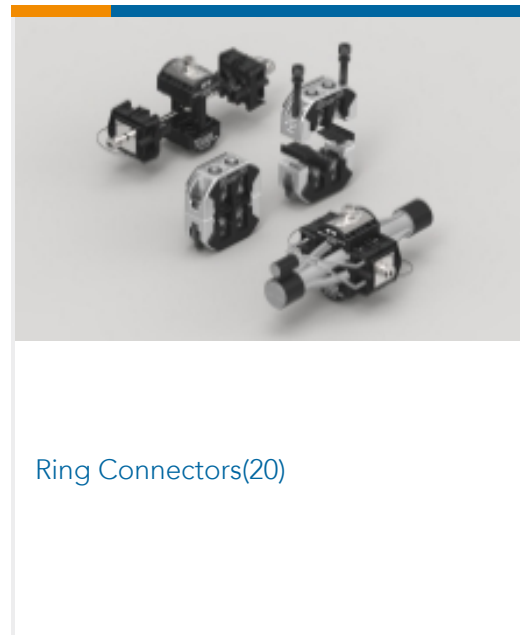
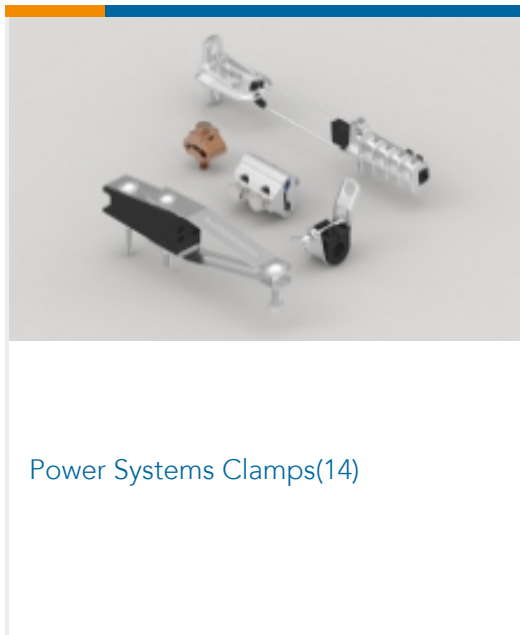
Product Compliance Disclaimer

This information is provided based on reasonable inquiry of our suppliers and represents our current actual knowledge based on the information they provided. This information is subject to change. The part numbers that TE has identified as EU RoHS compliant have a maximum concentration of 0.1% by weight in homogenous materials for lead, hexavalent chromium, mercury, PBB, PBDE, DBP, BBP, DEHP, DIBP, and 0.01% for cadmium, or qualify for an exemption to these limits as defined in the Annexes of Directive 2011/65/EU (RoHS2). Finished electrical and electronic equipment products will be CE marked as required by Directive 2011/65/EU. Components may not be CE marked. Additionally, the part numbers that TE has identified as EU ELV compliant have a maximum concentration of 0.1% by weight in homogenous materials for lead, hexavalent chromium, and mercury, and 0.01% for cadmium, or qualify for an exemption to these limits as defined in the Annexes of Directive 2000/53/EC (ELV). Regarding the REACH Regulation, the information TE provides on SVHC in articles for this part number is based on the latest European Chemicals Agency (ECHA) 'Guidance on requirements for substances in articles' posted at this URL: <https://echa.europa.eu/guidance-documents/guidance-on-reach>

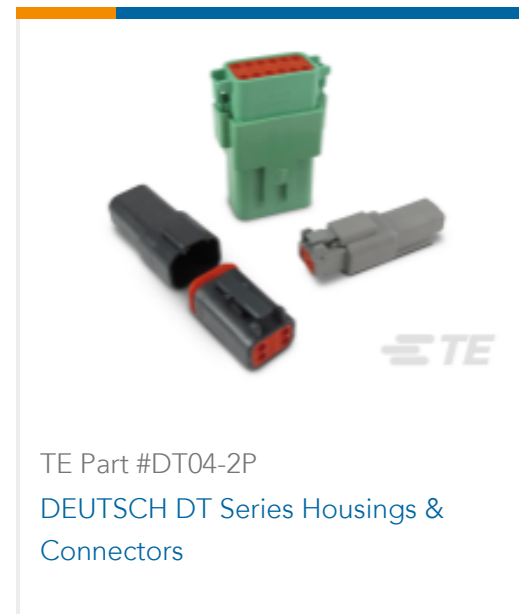
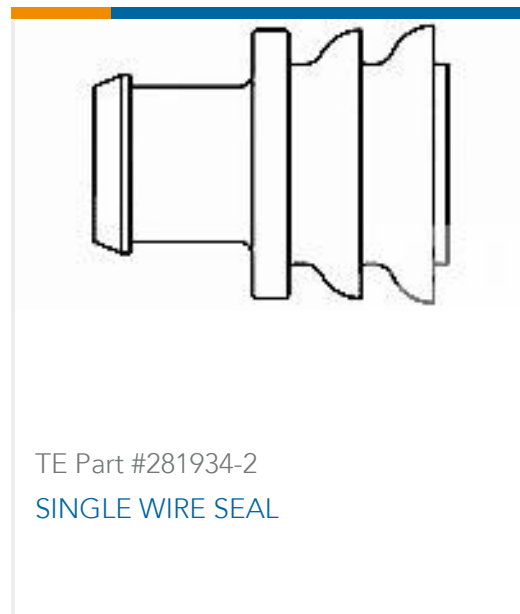
Compatible Parts



Also in the Series | Hellstern HEL



Customers Also Bought



Documents

Product Drawings

[HEL-3915](#)

English

Datasheets & Catalog Pages

[PARALLEL-GROOVED-CLAMPS-CONNECTORS-FITTINGS](#)

English

