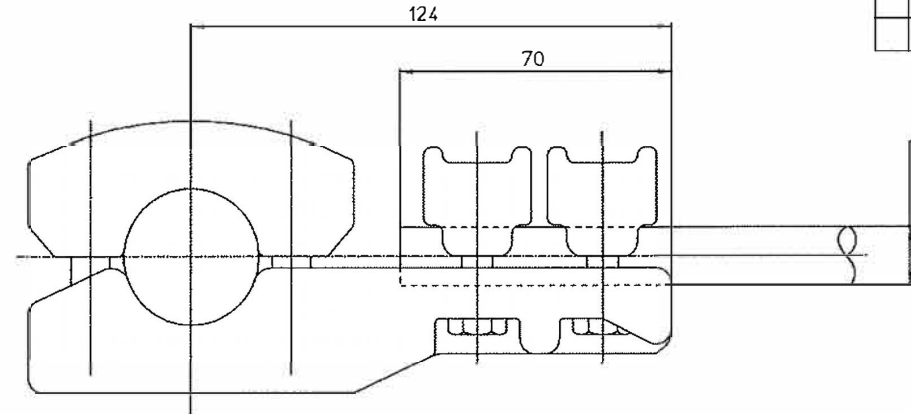


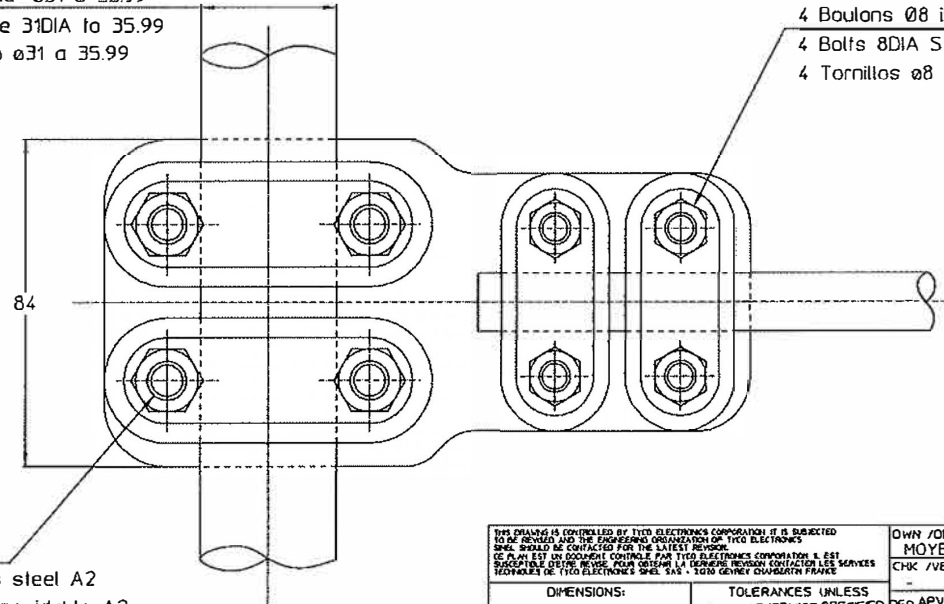
REV. NO		REVISIONS			
P	LTR REV	DESCRIPTION MODIFICATIONS	DATE	OWN DESS	APVD APPR
	A	CREATION	18-Feb-11	JPM	-



Cable ou tube ø12 à 15.99
 Cable or tube 12DIA to 15.99
 Cable o tubo ø12 a 15.99

Cable ou tube ø31 à 35.99
 Cable or tube 31DIA to 35.99
 Cable o tubo ø31 a 35.99

4 Boulons ø8 inoxA2
 4 Bolts 8DIA Stainless steel A2
 4 Tornillos ø8 Acero inoxidable A2 } 20 Nm



37 Nm { 4 Boulons ø10inox A2
 4 Bolts 10DIA Stainless steel A2
 4 Tornillos ø10 Acero inoxidable A2

<small>THIS DRAWING IS CONTROLLED BY TYCO ELECTRONICS CORPORATION IT IS SUBJECT TO BE REVIEWED AND THE ENGINEERING ORGANIZATION OF TYCO ELECTRONICS SPEC. SHOULD BE CONTACTED FOR THE LATEST REVISION. (E PLAN EST UN DOCUMENT CONTROLÉ PAR TYCO ELECTRONICS CORPORATION & EST SUJET À ÊTRE RÉVISÉ. POUR OBTENIR LA DERNIÈRE RÉVISION CONSULTEZ LES SERVICES TECHNIQUES DE TYCO ELECTRONICS SHEL SAS - 3330 GENEVY CHAMBERTIN FRANCE</small>		OWN /OESSINE MOYELUX	18-Feb-11			SIMEL PRODUCTS	
DIMENSIONS: mm 		TOLERANCES UNLESS OTHERWISE SPECIFIED PER APVD /APPROUVE -NAME TOLERANCES NON SPECIFIEES SELON --		PER APVD /APPROUVE -NAME TITRE T 82 35 15		APPLICATION SPEC SPEC. APPLICATION 02BFC0031	
MATERIAL MATIERE	FINISH FINITION	APPROX. WEIGHT MASSE APPROX	0.9 Kg	SIZE FORMAT	A3	CAGE CODE 00779	DRAWING NO No PLAN ©=2179061
CUSTOMER DWG / PLAN CLIENT		UNOUEMENT POUR REFERENCE		SCALE ECHELLE	1/3	SHEET FEUILLE	1 OF 1 DE
						RESTRICTED TO RESERVE A	

ITEM: 12