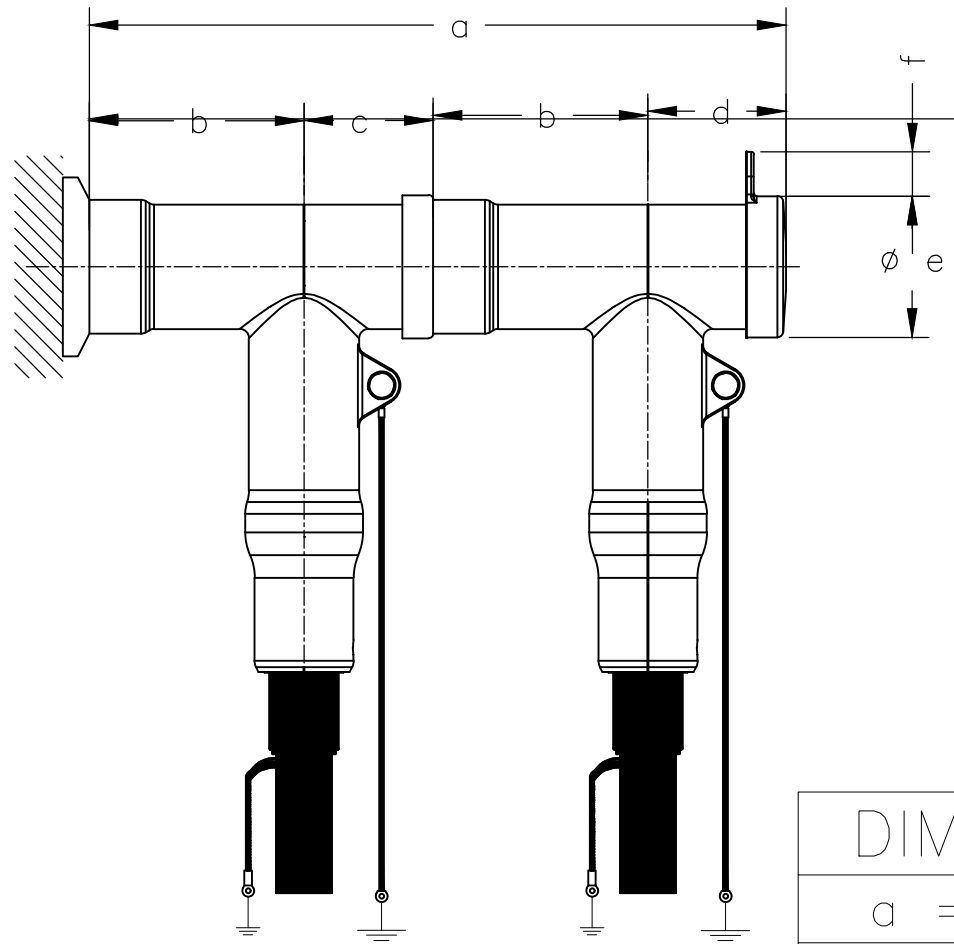


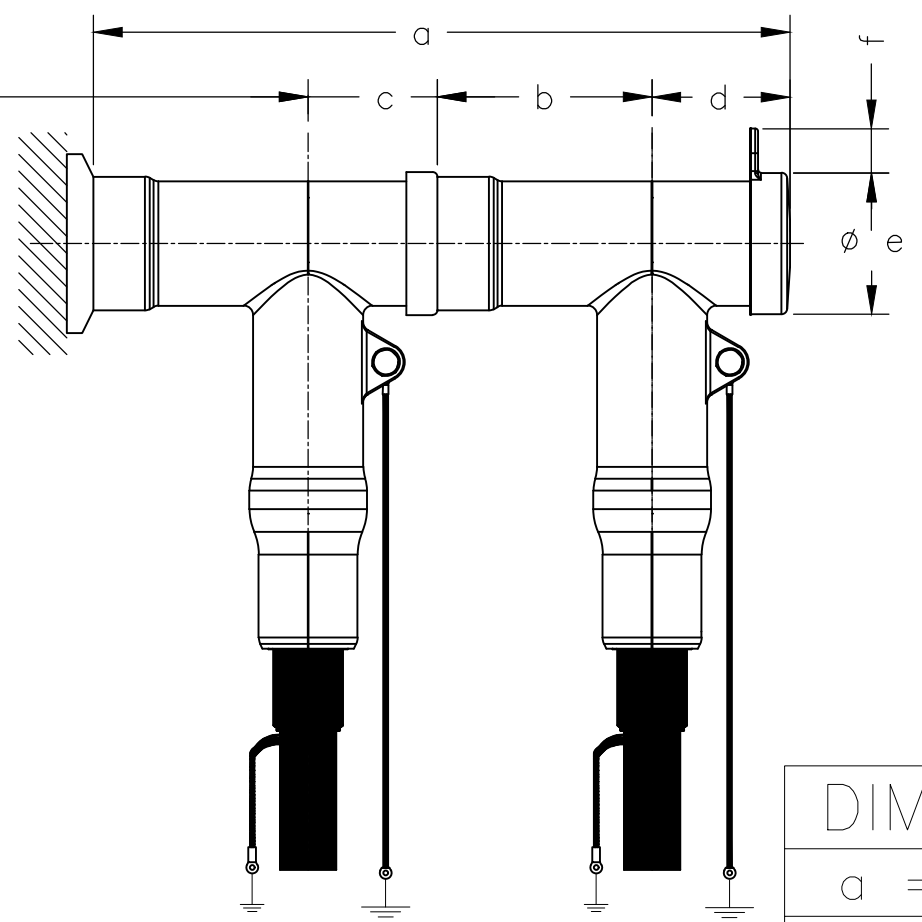
REVISIONS					
P	LTR	DESCRIPTION	DATE	DWN	APVD
1		NEW DRAWING	27FEB2020	SM	BV

RSTI-58(SA)xx + RSTI-66CP-M16 + RSTI-58(SA)xx


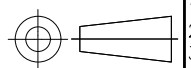


DIMENSIONS	
a	= 368 mm
b	= 109 mm
c	= 76 mm
d	= 73 mm
e	= 78-79 mm
f	= 24-25 mm

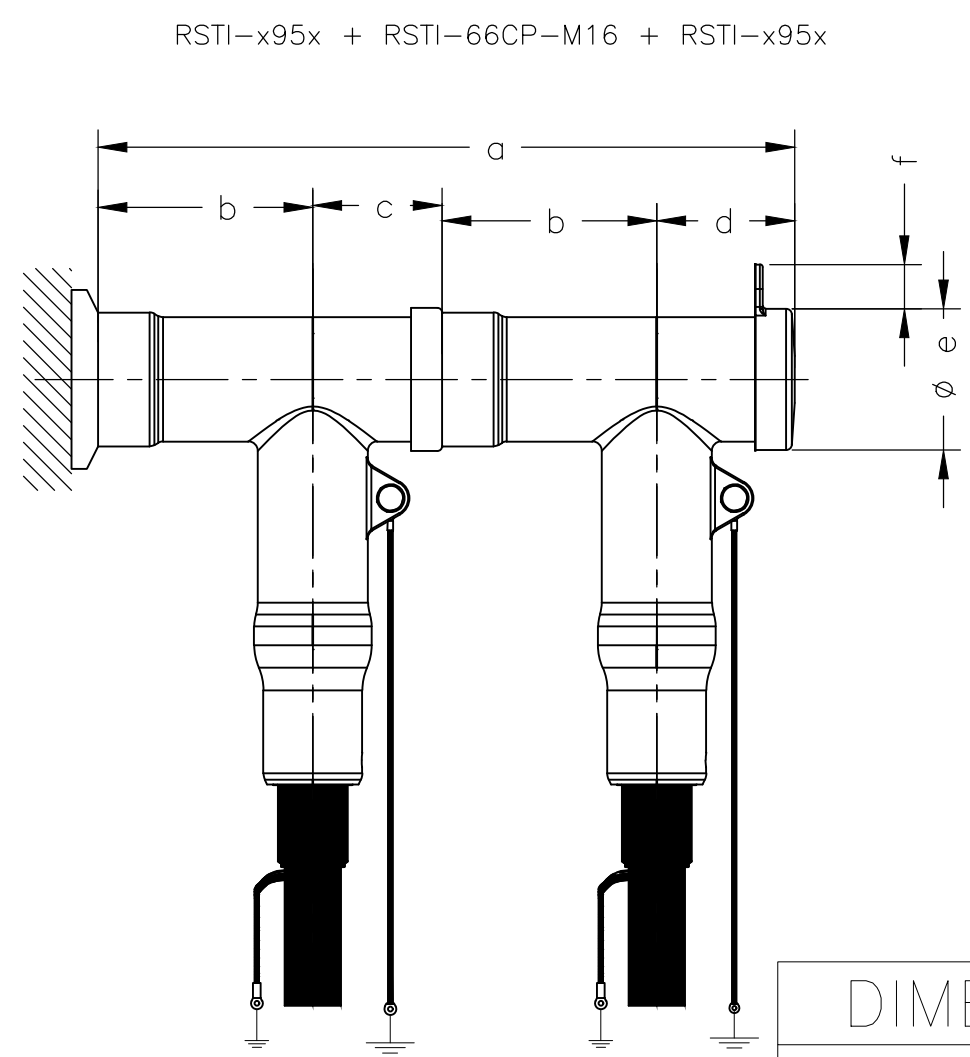
RSTI-68(SA)xx + RSTI-66CP-M16 + RSTI-68(SA)xx



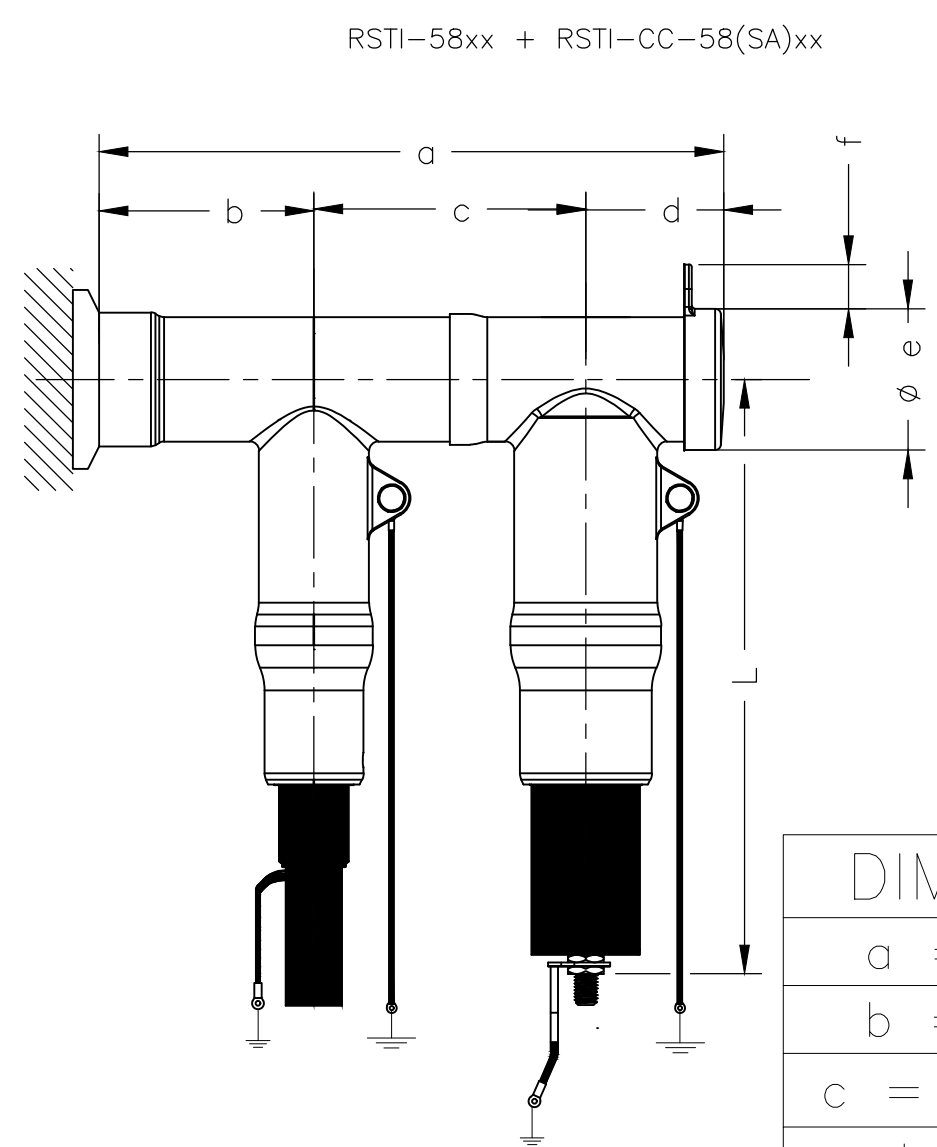
DIMENSIONS	
a	= 368 mm
b	= 109 mm
c	= 76 mm
d	= 73 mm
e	= 78-79 mm
f	= 24-25 mm

THIS DRAWING IS A CONTROLLED DOCUMENT.		DWN SATYA.M 25FEB2020	 TE Connectivity Ltd.		
DIMENSIONS: mm		CHK B.VICTOR 25FEB2020			
		APVD B.VICTOR 25FEB2020	NAME RSTI Product Family Dimensions		
TOLERANCES UNLESS OTHERWISE SPECIFIED:		PRODUCT SPEC	-		
0 PLC ± -		APPLICATION SPEC	-		
1 PLC ± -		WEIGHT	0		
2 PLC ± -		SIZE	A3		RESTRICTED TO
3 PLC ± -		CAGE CODE	00779		-
4 PLC ± -		DRAWING NO	C-2370881		
ANGLES ± -		CUSTOMER DRAWING	SCALE		SHEET 1 of 6
FINISH -		NTS		REV 1	

REVISIONS					
P	LTR	DESCRIPTION	DATE	DWN	APVD
-	-	SEE SHEET 1	-	-	-



DIMENSIONS	
a	= 388 mm
b	= 114 mm
c	= 81 mm
d	= 78 mm
e	= 78-79 mm
f	= 24-25 mm



DIMENSIONS	
a	= 283 mm
b	= 109 mm
c	= 100-101 mm
d	= 73 mm
e	= 78-79 mm
f	= 24-25 mm
L	= depending on voltage level

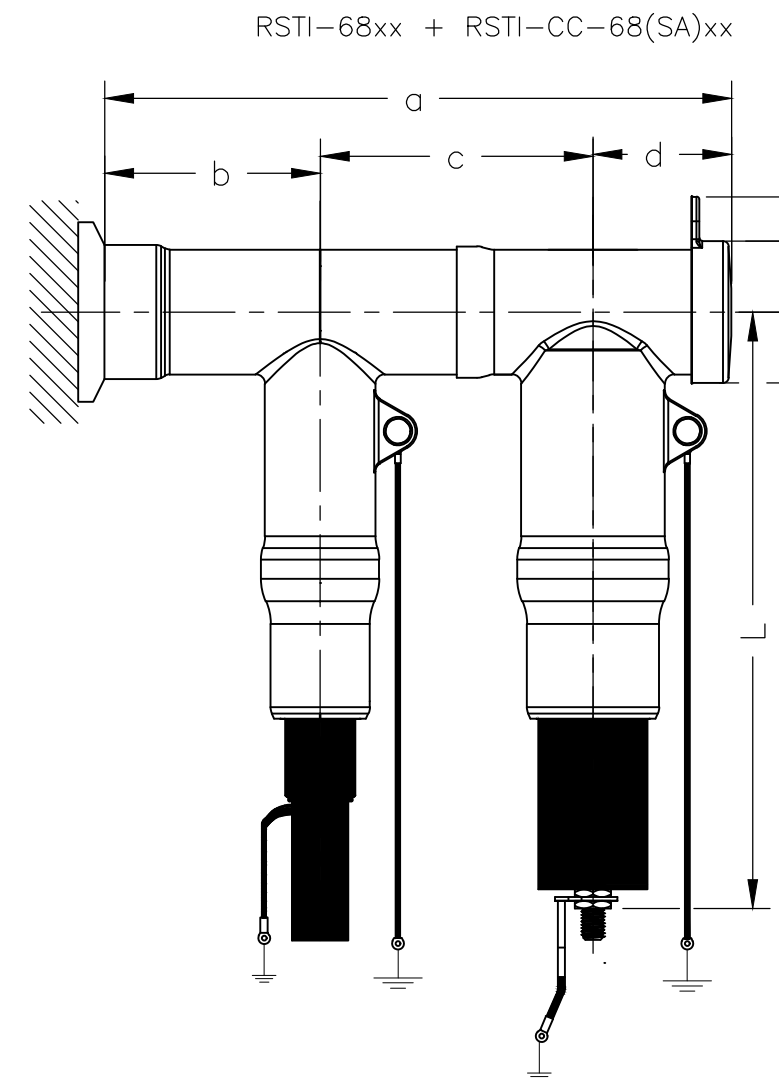
THIS DRAWING IS A CONTROLLED DOCUMENT.

DIMENSIONS:	TOLERANCES UNLESS OTHERWISE SPECIFIED:
mm	
	0 PLC ± -
	1 PLC ± -
	2 PLC ± -
	3 PLC ± -
	4 PLC ± -
	ANGLES ± -
MATERIAL	FINISH
-	-

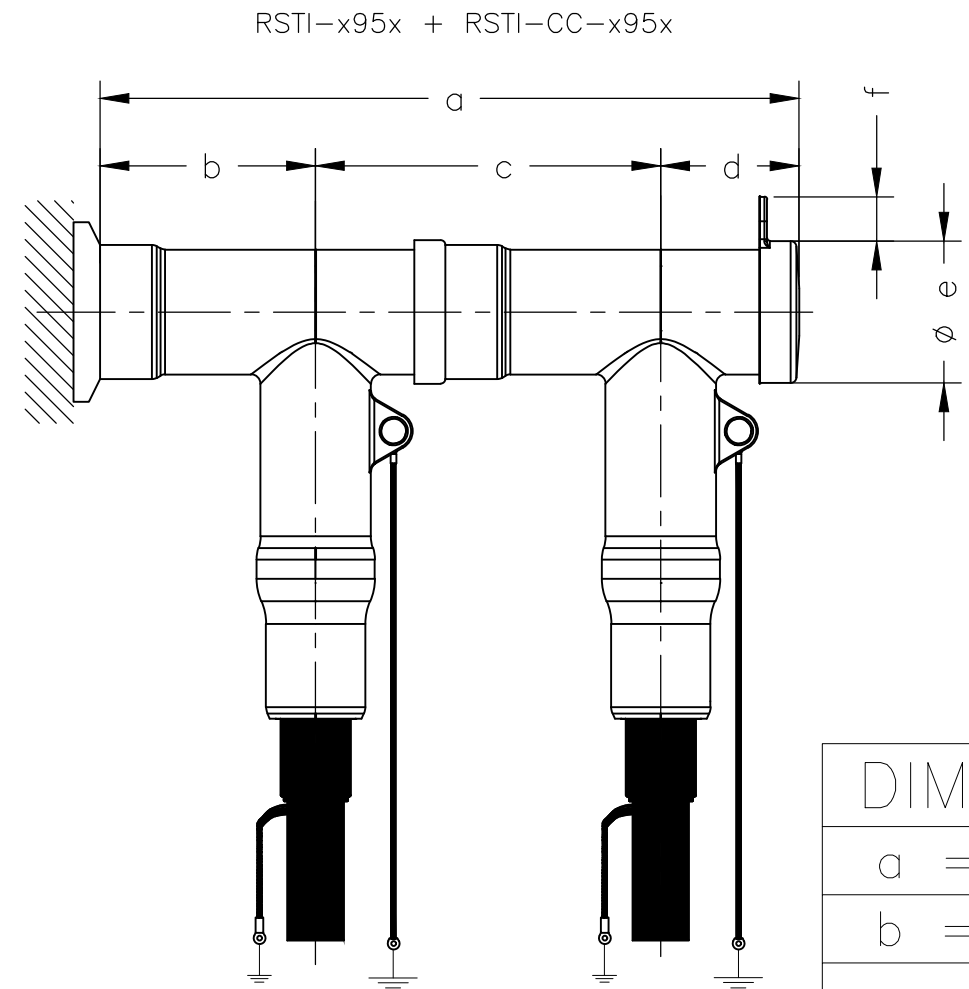
DWN	SATYA.M	25FEB2020
CHK	B.VICTOR	25FEB2020
APVD	B.VICTOR	25FEB2020
PRODUCT SPEC	-	-
APPLICATION SPEC	-	-
WEIGHT	-	-
CUSTOMER DRAWING		

TE Connectivity Ltd.			
NAME RSTI Product Family Dimensions			
SIZE	CAGE CODE	DRAWING NO	RESTRICTED TO
A3	00779	C-2370881	-
SCALE		SHEET	REV
NTS		2 of 6	1

REVISIONS					
P	LTR	DESCRIPTION	DATE	DWN	APVD
-	-	SEE SHEET 1	-	-	-



DIMENSIONS	
a	= 292 mm
b	= 109 mm
c	= 109 mm
d	= 73 mm
e	= 78-79 mm
f	= 24-25 mm
L	= depending on voltage level

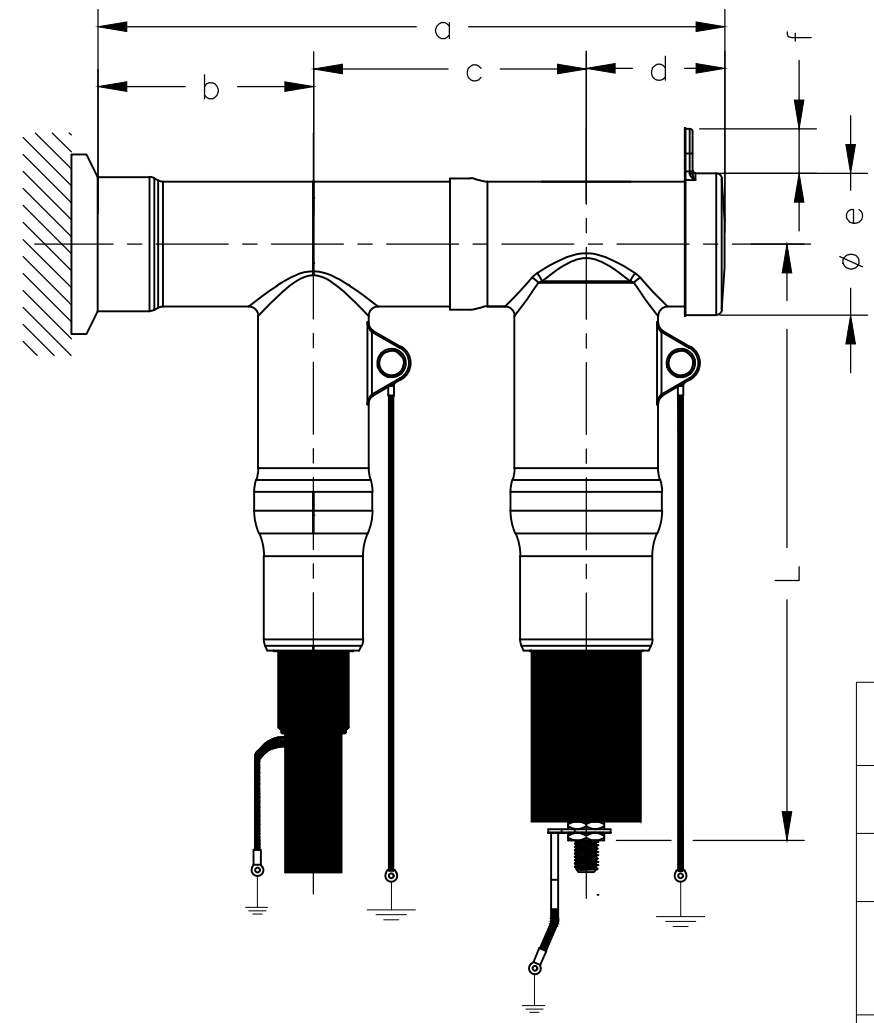


DIMENSIONS	
a	= 315 mm
b	= 114 mm
c	= 122 mm
d	= 78 mm
e	= 78-79 mm
f	= 24-25 mm
L	= depending on voltage level

THIS DRAWING IS A CONTROLLED DOCUMENT.		DWN SATYA.M 25FEB2020	TE Connectivity Ltd.														
DIMENSIONS: mm		CHK B.VICTOR 25FEB2020				NAME RSTI Product Family Dimensions											
TOLERANCES UNLESS OTHERWISE SPECIFIED:		APVD B.VICTOR 25FEB2020	PRODUCT SPEC -		RESTRICTED TO -												
<table border="1"> <tr> <td>0 PLC</td> <td>± -</td> </tr> <tr> <td>1 PLC</td> <td>± -</td> </tr> <tr> <td>2 PLC</td> <td>± -</td> </tr> <tr> <td>3 PLC</td> <td>± -</td> </tr> <tr> <td>4 PLC</td> <td>± -</td> </tr> <tr> <td>ANGLES</td> <td>± -</td> </tr> </table>		0 PLC	± -	1 PLC	± -	2 PLC	± -	3 PLC	± -	4 PLC	± -	ANGLES	± -	APPLICATION SPEC -	SIZE A3	CAGE CODE 00779	DRAWING NO C-2370881
0 PLC	± -																
1 PLC	± -																
2 PLC	± -																
3 PLC	± -																
4 PLC	± -																
ANGLES	± -																
MATERIAL -		FINISH -	WEIGHT -	SCALE NTS													
CUSTOMER DRAWING			SHEET 3 OF 6	REV 1													

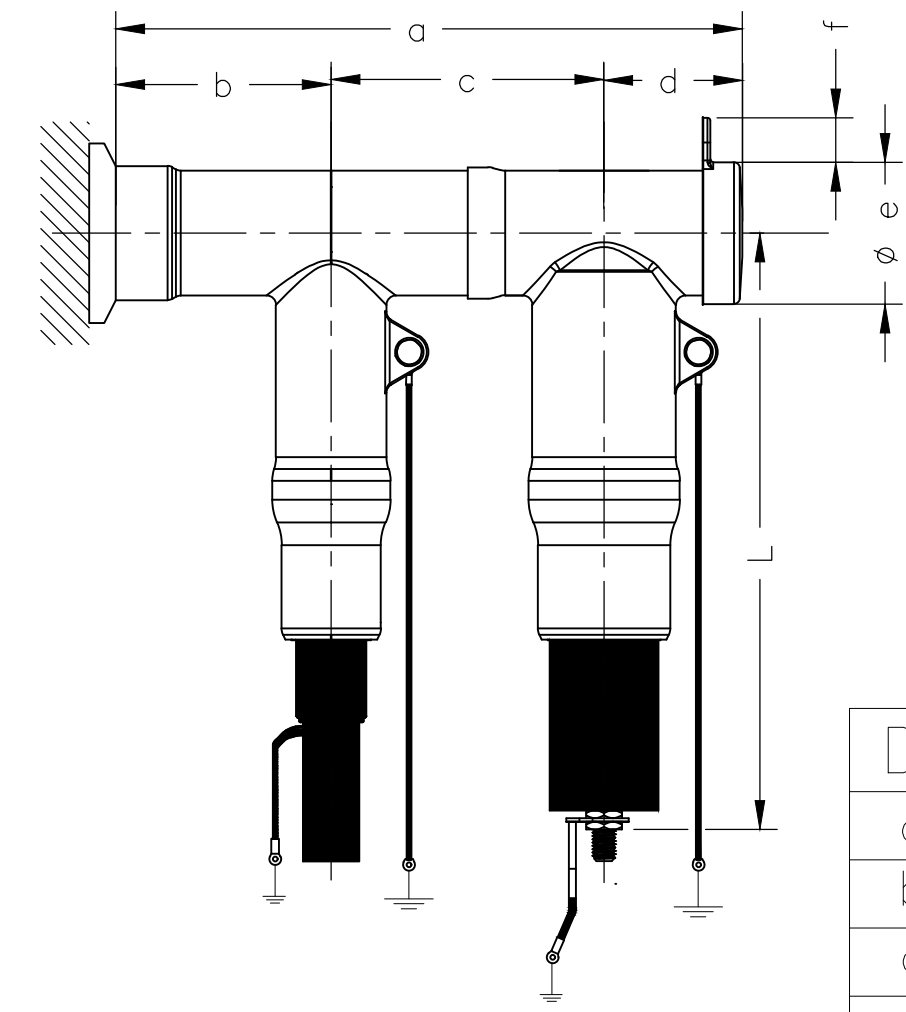
REVISIONS					
P	LTR	DESCRIPTION	DATE	DWN	APVD
-	-	SEE SHEET 1	-	-	-

RSTI-68xx + RSTI-CC-58(SA)xx




DIMENSIONS	
a	= 283 mm
b	= 109 mm
c	= 100-101 mm
d	= 73 mm
e	= 78-79 mm
f	= 24-25 mm
L	= depending on voltage level

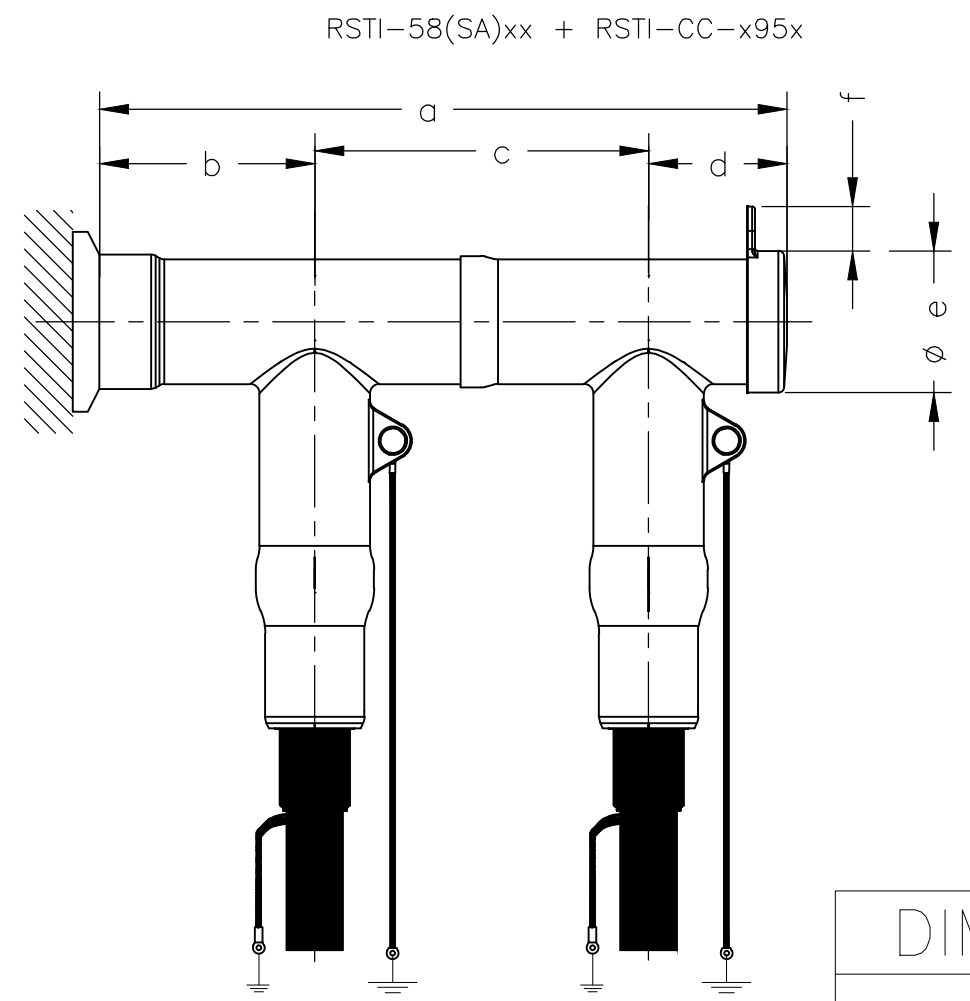
RSTI-58xx + RSTI-CC-68(SA)xx



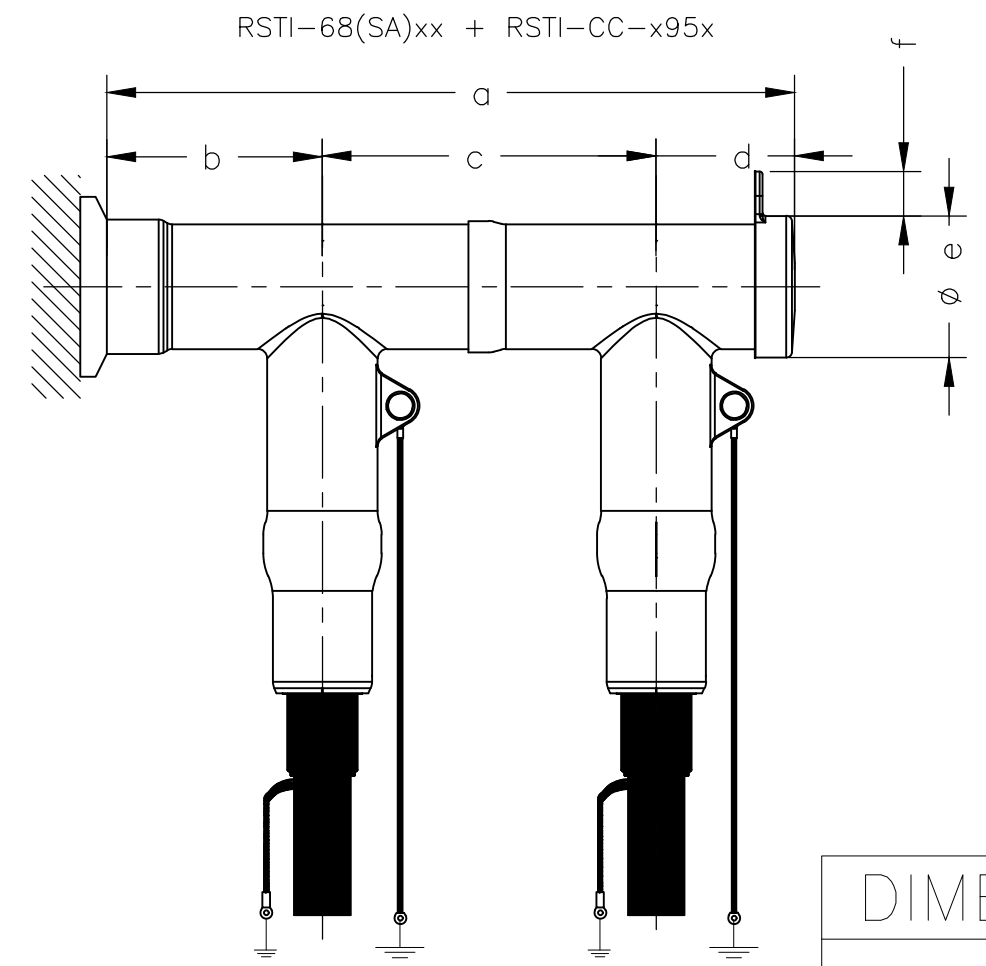
DIMENSIONS	
a	= 292 mm
b	= 109 mm
c	= 109 mm
d	= 73 mm
e	= 78-79 mm
f	= 24-25 mm
L	= depending on voltage level

THIS DRAWING IS A CONTROLLED DOCUMENT.		DWN SATYA.M 25FEB2020	 TE Connectivity Ltd.														
DIMENSIONS: mm		CHK B.VICTOR 25FEB2020				NAME RSTI Product Family Dimensions											
TOLERANCES UNLESS OTHERWISE SPECIFIED:		APVD B.VICTOR 25FEB2020	PRODUCT SPEC														
<table border="1"> <tr> <td>0 PLC</td> <td>± -</td> </tr> <tr> <td>1 PLC</td> <td>± -</td> </tr> <tr> <td>2 PLC</td> <td>± -</td> </tr> <tr> <td>3 PLC</td> <td>± -</td> </tr> <tr> <td>4 PLC</td> <td>± -</td> </tr> <tr> <td>ANGLES</td> <td>± -</td> </tr> </table>		0 PLC	± -	1 PLC	± -	2 PLC	± -	3 PLC	± -	4 PLC	± -	ANGLES	± -	APPLICATION SPEC		RESTRICTED TO	
0 PLC	± -																
1 PLC	± -																
2 PLC	± -																
3 PLC	± -																
4 PLC	± -																
ANGLES	± -																
MATERIAL		WEIGHT		SIZE A3	CAGE CODE 00779												
FINISH		DRAWING NO C-2370881		SCALE NTS													
		CUSTOMER DRAWING		SHEET 4 OF 6													
				REV 1													


REVISIONS					
P	LTR	DESCRIPTION	DATE	DWN	APVD
-	-	SEE SHEET 1	-	-	-



DIMENSIONS	
a	= 305 mm
b	= 109 mm
c	= 117 mm
d	= 78 mm
e	= 78-79 mm
f	= 24-25 mm

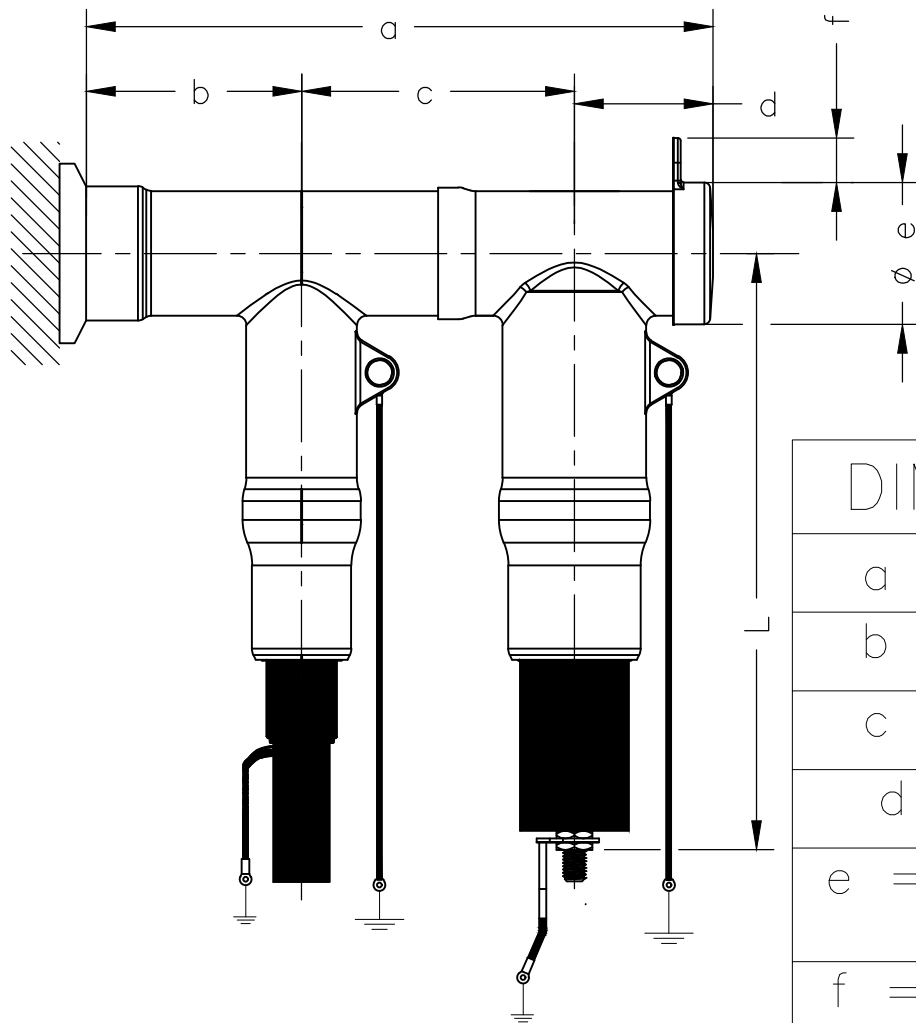


DIMENSIONS	
a	= 305 mm
b	= 109 mm
c	= 117 mm
d	= 78 mm
e	= 78-79 mm
f	= 24-25 mm

THIS DRAWING IS A CONTROLLED DOCUMENT.		DWN SATYA.M 25FEB2020	 TE Connectivity Ltd.														
DIMENSIONS: mm		CHK B.VICTOR 25FEB2020				NAME RSTI Product Family Dimensions											
TOLERANCES UNLESS OTHERWISE SPECIFIED:		APVD B.VICTOR 25FEB2020	PRODUCT SPEC														
<table border="0"> <tr> <td>0 PLC</td> <td>± -</td> </tr> <tr> <td>1 PLC</td> <td>± -</td> </tr> <tr> <td>2 PLC</td> <td>± -</td> </tr> <tr> <td>3 PLC</td> <td>± -</td> </tr> <tr> <td>4 PLC</td> <td>± -</td> </tr> <tr> <td>ANGLES</td> <td>± -</td> </tr> </table>		0 PLC	± -	1 PLC	± -	2 PLC	± -	3 PLC	± -	4 PLC	± -	ANGLES	± -	APPLICATION SPEC		SIZE	RESTRICTED TO
0 PLC	± -																
1 PLC	± -																
2 PLC	± -																
3 PLC	± -																
4 PLC	± -																
ANGLES	± -																
MATERIAL		FINISH	WEIGHT	CAGE CODE A300779	DRAWING NO C-2370881												
CUSTOMER DRAWING			SCALE NTS	SHEET 5 OF 6	REV 1												

P	LTR	DESCRIPTION	DATE	DWN	APVD
-	-	SEE SHEET 1	-	-	-

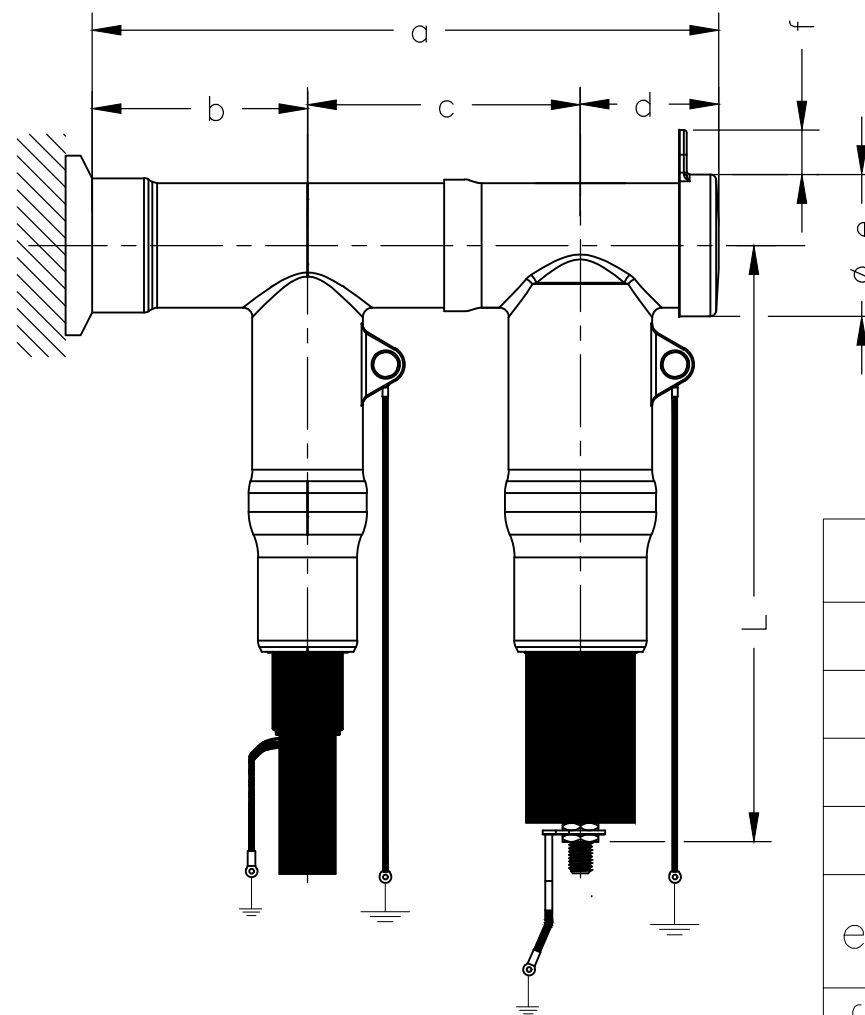
RSTI-x95x + RSTI-CC-58(SA)xx



DIMENSIONS


a = 294 mm
b = 114 mm
c = 105 mm
d = 73 mm
e = 78-79 mm
f = 24-25 mm
L = depending on voltage level (see data sheet of RSTI-CC-68SA)

RSTI-x95x + RSTI-CC-68(SA)xx



DIMENSIONS

a = 303 mm
b = 114 mm
c = 114 mm
d = 73 mm
e = 78-79 mm
f = 24-25 mm
L = depending on voltage level (see data sheet of RSTI-CC-68SA)

THIS DRAWING IS A CONTROLLED DOCUMENT.		DWN SATYA.M 25FEB2020	 TE Connectivity Ltd.		
DIMENSIONS: mm		CHK B.VICTOR 25FEB2020			
TOLERANCES UNLESS OTHERWISE SPECIFIED:		APVD B.VICTOR 25FEB2020	NAME RSTI Product Family Dimensions		
0 PLC ± - 1 PLC ± - 2 PLC ± - 3 PLC ± - 4 PLC ± - ANGLES ± -		PRODUCT SPEC	-		
MATERIAL		FINISH	APPLICATION SPEC	-	
-		-	WEIGHT	-	
CUSTOMER DRAWING			SIZE A3	CAGE CODE 00779	DRAWING NO C-2370881
SCALE NTS			SHEET 6 OF 6	REV 1	