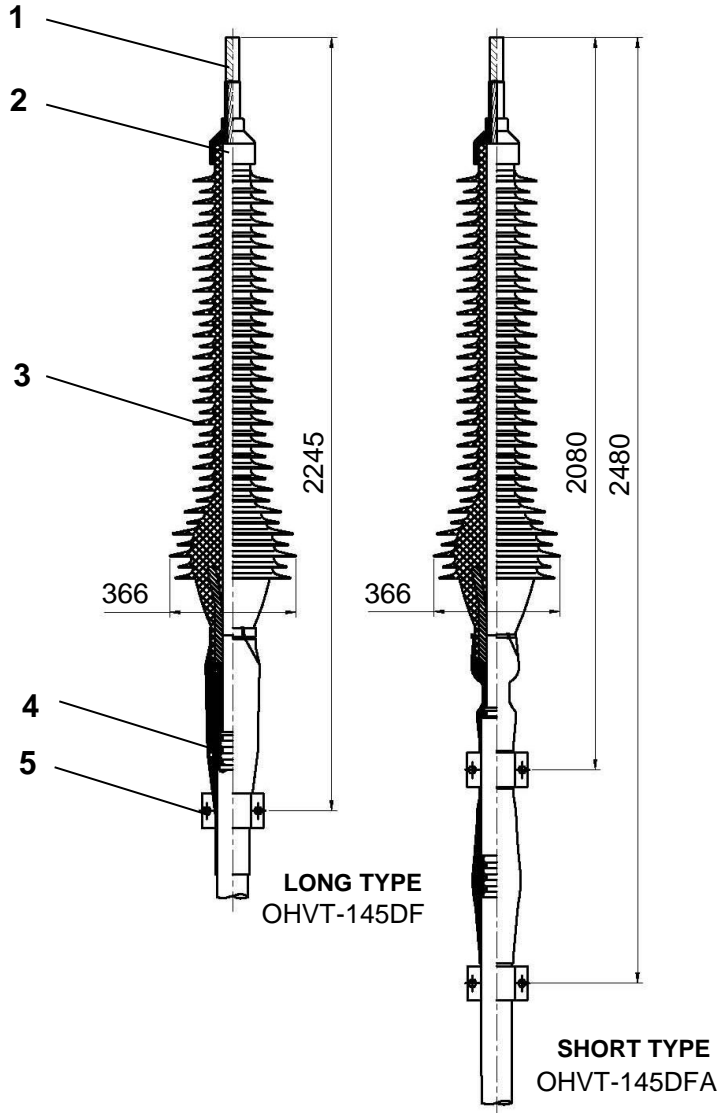


Product Data Sheet



1. Compression connector
2. Sealing cap
3. Termination body
4. Ground Kit
5. Cable Clamp

	OHVT-145DFA		OHVT-145DF	
	A0 SIZE	A SIZE	B SIZE	C SIZE

1 Electrical data

Rated voltage U ₀ /U(U _m)	kV	76/132(145)		
Highest voltage	kV	145		
Rated frequency	Hz	50/60		
Lighting impulse voltage	kV	650		
Power frequency withstand voltage	kV	190/30min.(Dry)		
Current capacity	A	as per cable		
Permissible short-circuit current I _s	kA	as per cable		

		OHVT-145DFA		OHVT-145DF	
		A0 SIZE	A SIZE	B SIZE	C SIZE
2 Mechanical data					
Approx. Length (From connector to fixing position)	mm	2080/2480		2245	
Approx. Diameter (The maximum outer dia.)	mm	366			
For cable size	mm ²	240~300	240 - 500	630 - 800	1000 - 1200
Appl. Range for cable insulation	mm	49.5-57	56 - 63	63 - 71	71 - 78
Approx. Diameter for cable outer sheath	mm	≤100		≤130	≤130
Approx. weight	kg	35kg			
Package size	mm	1580×590×430			

3 Design data	
Connector style	Crimping (with Aerial Lug)
Creepage distance	4590mm (31kV/mm)
Material of body	Silicone rubber
Comply with	IEC60840、GB11017
Method of stress control	Stress cone
Cable types	Cu-wire, lead sheath, CAS or Cu tape
Grounding style	Mechanical connection without solder