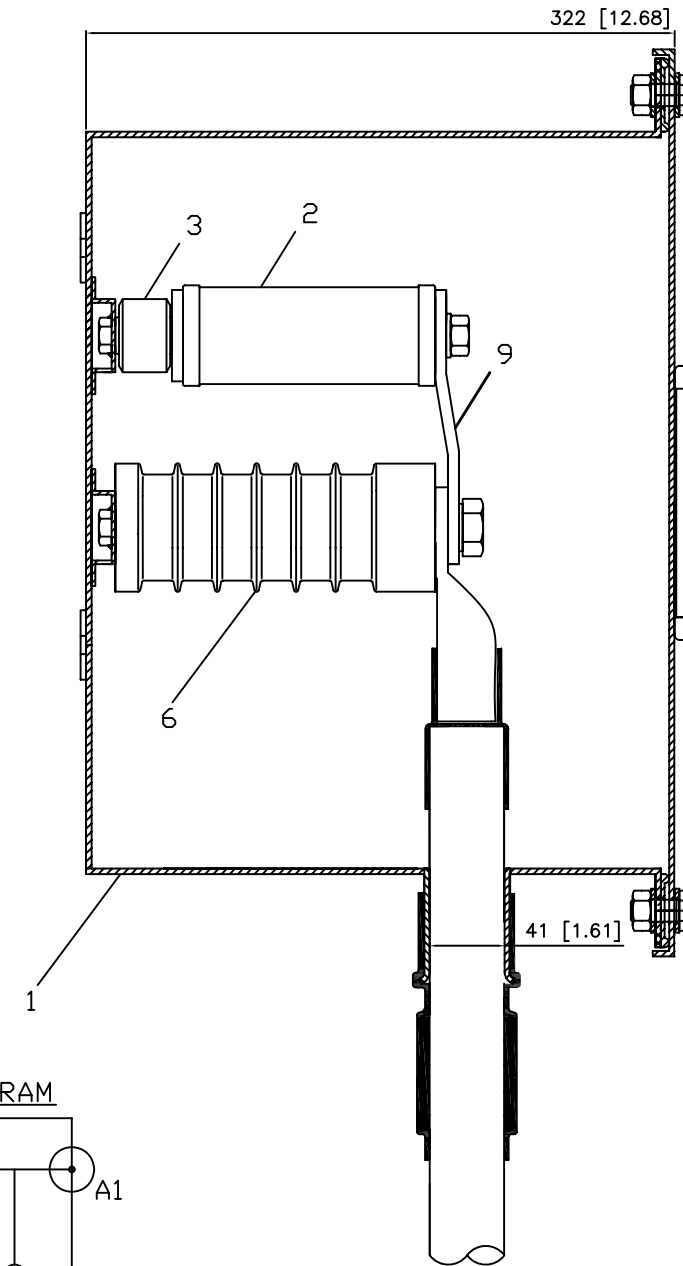
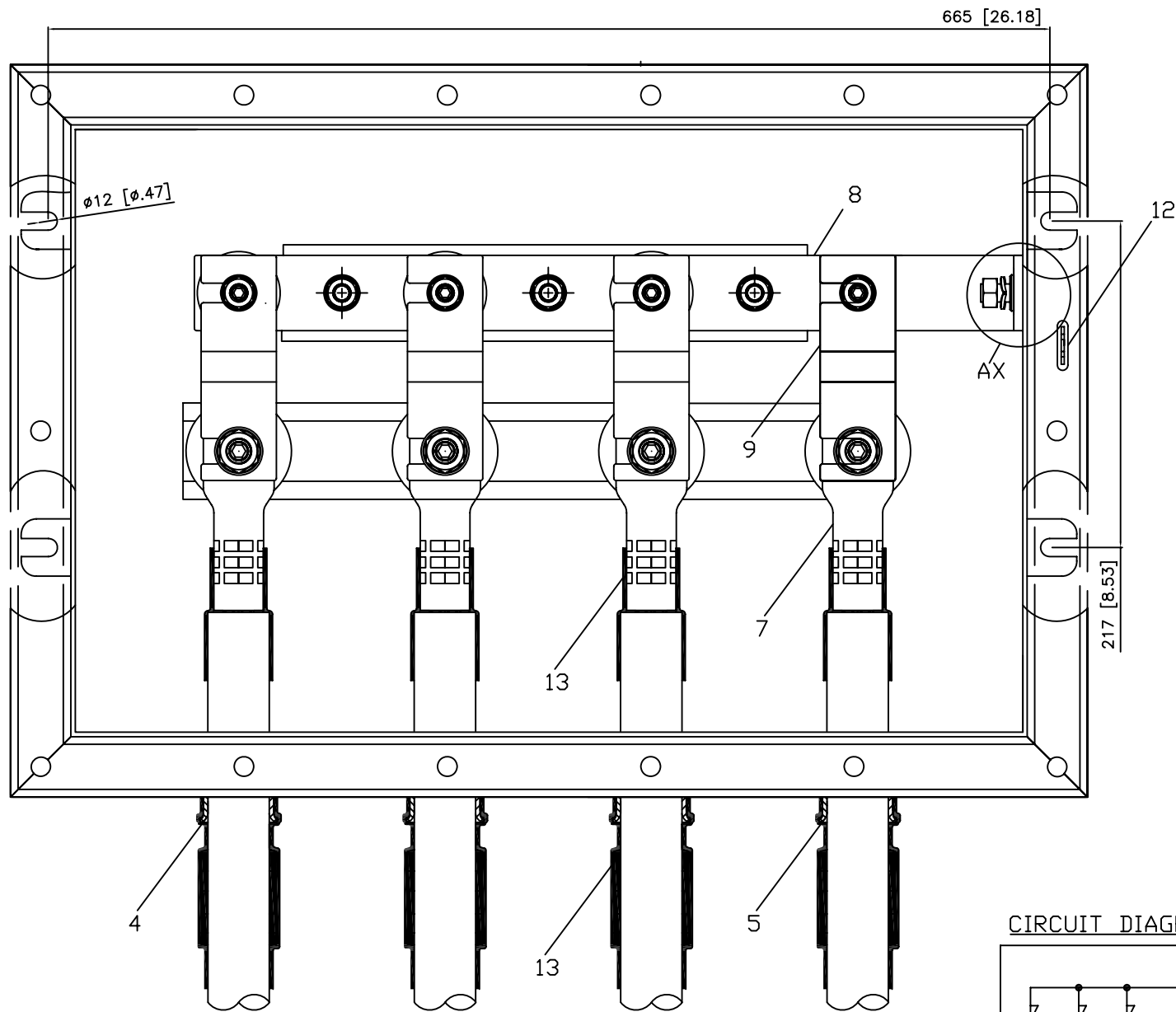
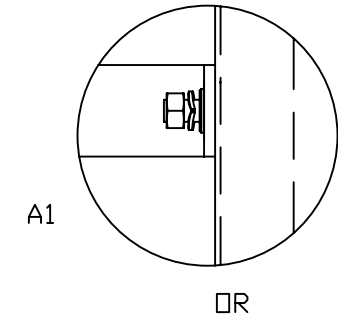


THIS INFORMATION IS CONFIDENTIAL AND PROPRIETARY TO TYCO ELECTRONICS CORPORATION AND ITS WORLDWIDE SUBSIDIARIES AND AFFILIATES. IT MAY NOT BE DISCLOSED TO ANYONE, OTHER THAN TYCO ELECTRONICS PERSONNEL, WITHOUT WRITTEN AUTHORIZATION FROM TYCO ELECTRONICS CORPORATION.

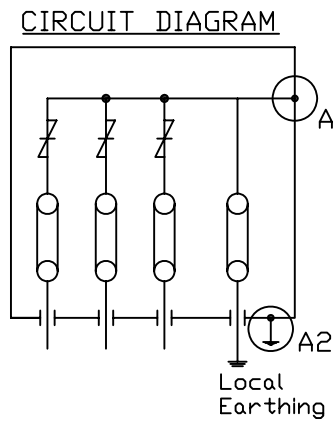
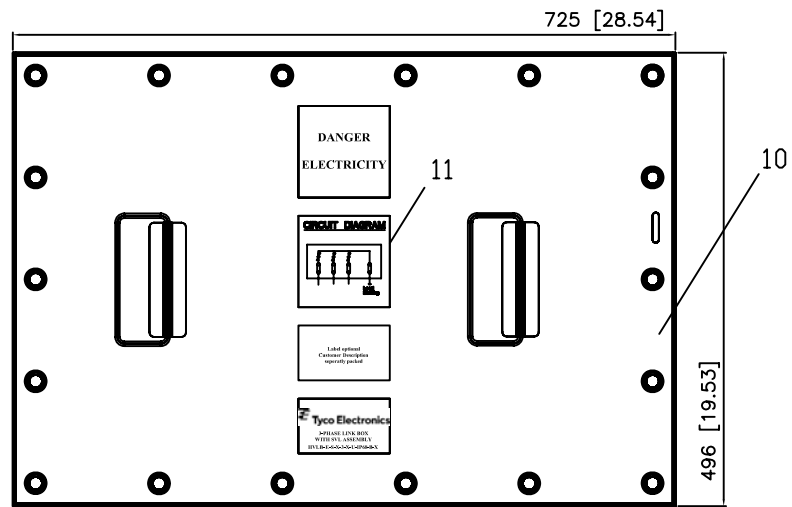
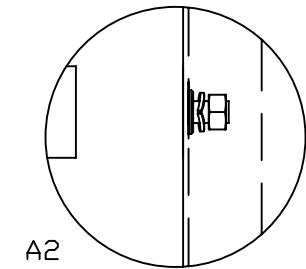
THIS DRAWING IS A CONTROLLED DOCUMENT
DWG NO



VERSION 1
ONE EARTHING POINT FOR LINK BOX HOUSING AND EARTHING BUSBAR



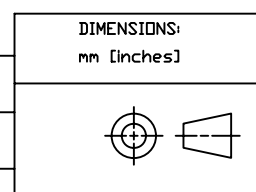
VERSION 2
SEPARATE EARTHING POINTS FOR LINK BOX HOUSING AND EARTHING BUSBAR



PROTECTION CLASS IP68

LINK BOX FOR SINGLE CORES CABLES WITH SVL ASSEMBLY UNDERGROUND USE HVLB-E-S-X-3-X-U-IP68-B-X			
No.	Description	Material	comments
13	SEALING SLEEVE	HEAT SHRINK TUBE	-
12	PADLOCK FACILITY	STAINLESS STEEL	-
11	LABELS	STAINLESS STEEL	-
10	PROTECTION COVER	STAINLESS STEEL	-
9	DISCONNECTABLE EARTHING BAR	300mm ² TINNED COPPER	-
8	BUSBAR	300mm ² TINNED COPPER	-
7	CRIMPING LUG	TINNED COPPER	DIFFERENT SIZES ARE AVAILABLE
6	SUPPORT INSULATORS (long)	EPDXY	-
5	GLAND FOR EARTHING CABLE	STAINLESS STEEL	-
4	GLAND FOR BONDING CABLES	STAINLESS STEEL	-
3	SUPPORT INSULATORS (short)	EPDXY	-
2	SHEATH VOLTAGE LIMITERS (SVL)	ZnO	FOR 1kV UP TO 6kV
1	LINK BOX HOUSING	3mm STAINLESS STEEL	-

P	LTR	REVISION RECORD	DATE	DWN	APVD



DIMENSIONS:
mm [inches]
TOLERANCES UNLESS OTHERWISE SPECIFIED:
ISO 2768-K

DWN	THK	23.02.2009	MATERIAL	
CHK			 TYCO ELECTRONICS RAYCHEM GMBH OTTOBRUNN GERMANY	
APVD				
NAME OFFER DRAWING HVLB-E-S-X-3-X-U-IP68-B-X 3-PHASE LINK BOX WITH SVL ASSEMBLY				
SCALE	1:4	SIZE	A3	DRAWING NO
				EPD-204-1091-00
SHEET	1 of 1	REV	0	

8 7 6 5 4 3 2 1