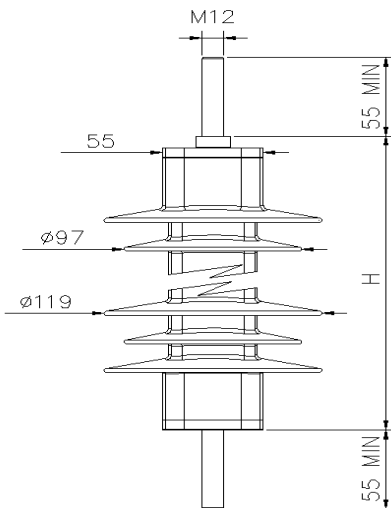


Distribution Surge Arrester

Metal oxide arrester	Continuous operating voltage	OCP2-29 <input type="checkbox"/> - <input type="checkbox"/> <input type="checkbox"/> <input type="checkbox"/>
Polymeric Housing	Uc: 29kV	
IEC 60099-4, Ed 2.0	Rated voltage	Standard Creep S
Nominal discharge current: 10kA	Ur: 36.3kV	Long Creepage L
Line discharge class: 2	Outdoor application	Mounting
High current impulse 4/10 μ s: 100kA	Rated short circuit current: 40 kA	Ground Lead
Energy absorption capability at	Low Current 600 A	Line Lead
- Line discharge imp.: 6kJ/kV Uc	Non-shattering design	
Long Duration Ipeak 530A		

Dimensions



Arrester Housing

		S	L
Impulse voltage	1,2/50 μ s kV	205	
Power frequency voltage	-wet: kV	91	
Overall length, (H)	mm	340	
Flashover distance	mm	334	
Creepage Length	mm	885	
Weight	kg	3.5	
No of Sheds:		13	
Cantilever strength*	Nm	350	
Pull strength*	N	2000	
Max. Torque M12*	Nm	50	

100% Routine testing

- Residual Voltage
- Reference Voltage
- Partial Discharge

Residual Voltages (kV)

Lightning current impulse 8/20 μ s			Steep lightning current impulse		Switching current impulse 30/60 μ s	
5 kA	10 kA	20 kA	10 kA	1/20 μ s	125 A	500 A
88.7	94.0	104.8	97.7		71.3	75.1

Power frequency voltage versus time

1 Sec. TOV: 41.5 kV

100 Sec. TOV: 37.1 kV

Marking

Bowthorpe

MO Surge Arrester

50/60 Hz

IEC 60099-4

Isc 40 kA

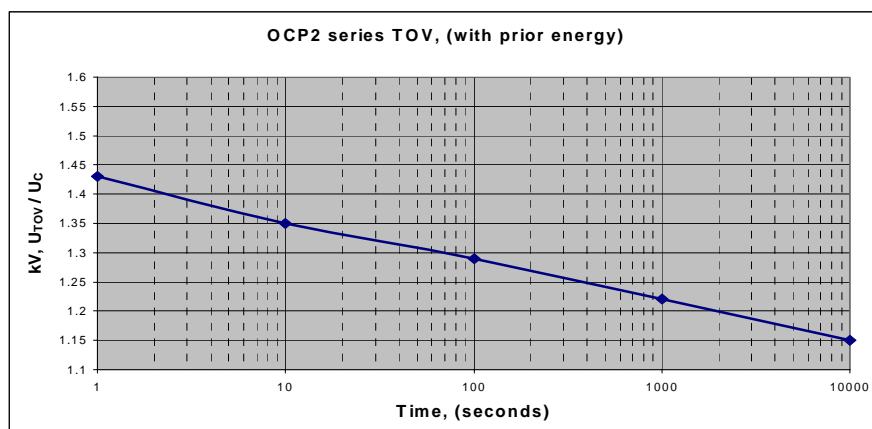
In 10 kA Class 2

OCP2-29

Uc: 29 kV

Ur: 36 kV

Manufacturing Year



MVSA-127-000-39/04-1