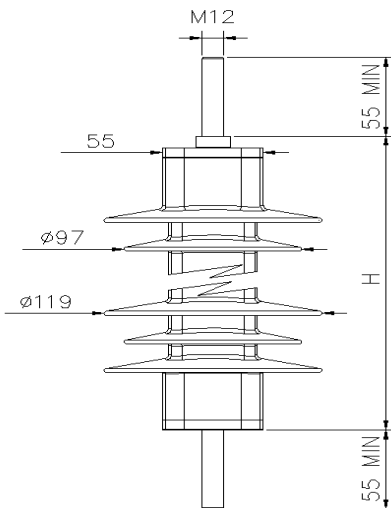


Distribution Surge Arrester

Metal oxide arrester	Continuous operating voltage	OCP2-22 <input type="checkbox"/> - <input type="checkbox"/> <input type="checkbox"/> <input type="checkbox"/>
Polymeric Housing	Uc: 22kV	
IEC 60099-4, Ed 2.0	Rated voltage	Standard Creep S <input type="checkbox"/>
Nominal discharge current: 10kA	Ur: 27.5kV	Long Creepage L <input type="checkbox"/>
Line discharge class: 2	Outdoor application	Mounting <input type="checkbox"/>
High current impulse 4/10 μ s: 100kA	Rated short circuit current: 40 kA	Ground Lead <input type="checkbox"/>
Energy absorption capability at - Line discharge imp.: 6kJ/kV Uc	Low Current 600 A	Line Lead <input type="checkbox"/>
Long Duration Ipeak 530A	Non-shattering design	

Dimensions



Arrester Housing

		S	L
Impulse voltage	1,2/50 μ s kV	180	205
Power frequency voltage	-wet: kV	80	91
Overall length, (H)	mm	299	340
Flashover distance	mm	293	334
Creepage Length	mm	758	885
Weight	kg	3	3.5
No of Sheds:		11	13
Cantilever strength*	Nm	350	350
Pull strength*	N	2000	2000
Max. Torque M12*	Nm	50	50

100% Routine testing

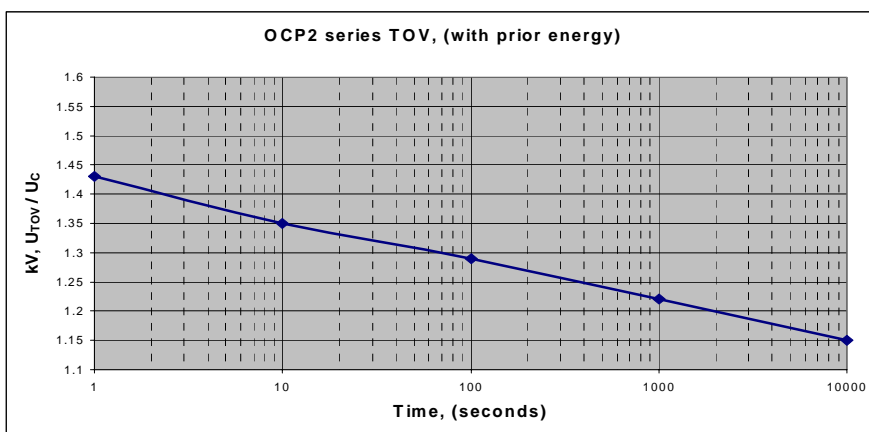
- Residual Voltage
- Reference Voltage
- Partial Discharge

Residual Voltages (kV)

Lightning current impulse 8/20 μ s			Steep lightning current impulse		Switching current impulse 30/60 μ s	
5 kA	10 kA	20 kA	10 kA	1/20 μ s	125 A	500 A
67.3	71.3	79.5	74.1		54.1	56.9

Power frequency voltage versus time

1 Sec. TOV: 31.5 kV
100 Sec. TOV: 28.2 kV



Marking

Bowthorpe

MO Surge Arrester
50/60 Hz
IEC 60099-4
Isc 40 kA
In 10 kA Class 2
OCP2-22
Uc: 22 kV
Ur: 28 kV
Manufacturing Year

MVSA-123-000-39/04-1