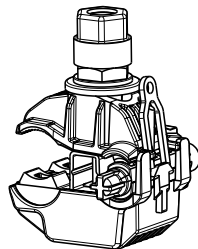
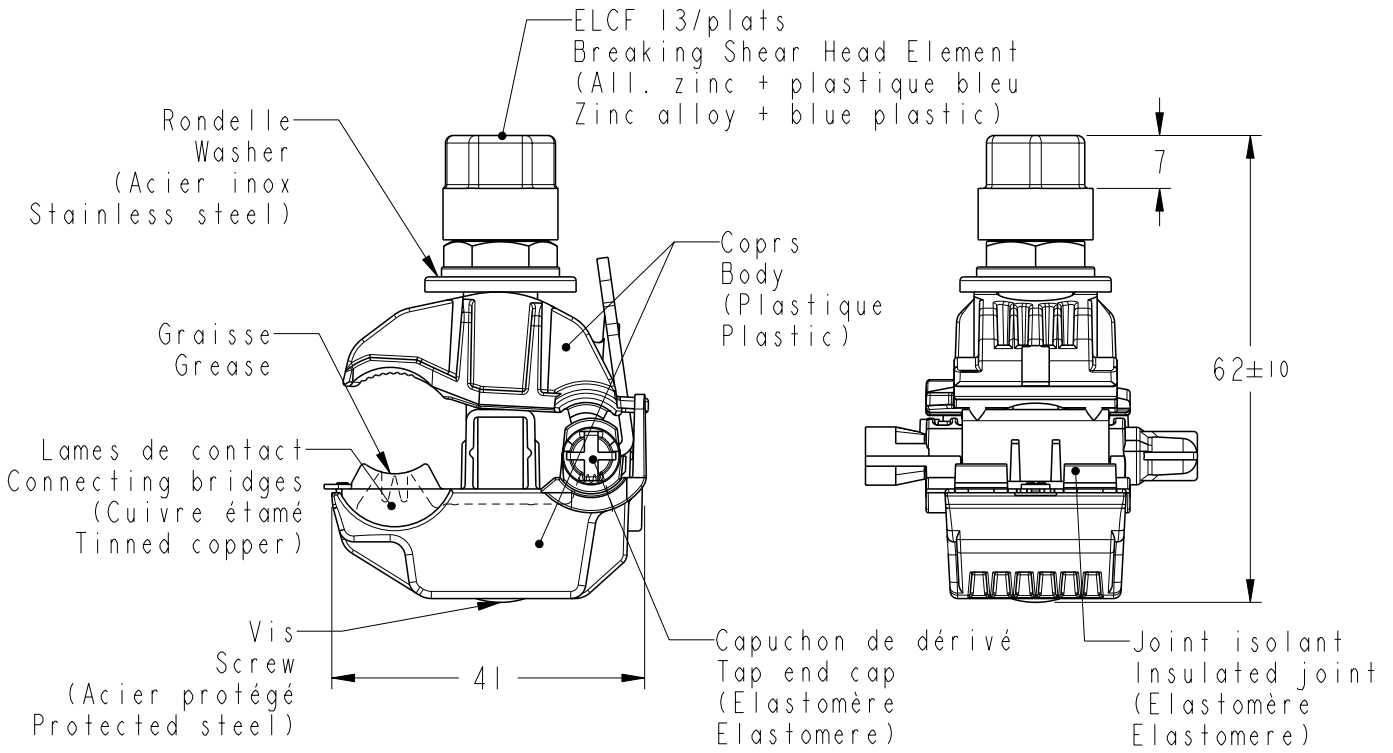


REVISIONS					
P	LTR REV	DESCRIPTION MODIFICATIONS	DATE	DWN DESS.	APVD APP.
	A	Creation	30SEP2014	JD	AG




ECHELLE 1:2

EPB95-13	2832033-1	A
DESCRIPTION	PART NUMBER	REV

DESIGNATION	PN	CODE	CAPACITES PRICIPAL CAPACITIES MAIN	CAPACITES DERIVES CAPACITIES TAP	MASSE WEIGHT	COUPLE DE RUPTURE BREAKING SHEAR HEAD TORQUE
EPB95-13	2832033-1		Bare Al/Cu : 16mm ² to 95mm ²	LV ABC : 1.5 to 10mm ²	54g	6.6 to 8Nm

MARQUAGE : LOGO, REFERENCE, CAPACITES, LOT
 MARKING : LOGO, REFERENCE, CAPACITIES, BATCH NUMBER

TOLERANCES UNLESS OTHERWISE SPECIFIED TOLERANCES NON SPECIFIEES: -

DIMENSIONS: mm TOLERANCES UNLESS OTHERWISE SPECIFIED: TOLERANCES NON SPECIFIEES (SUIVANT DE DECIMALES): 0 PLC/DEC:±0 1 PLC/DEC:±0.1 2 PLC/DEC:±0.2 3 PLC/DEC:±0.3 4 PLC/DEC:±0.4 ANGLES ±-	DWN/DESSINE J. Dossmann	07SEP2015	MATERIAL MATIERE	-	FINISH FINITION	-	
	CHK/VERIFIE R. Buthiot	-	 TE Connectivity				
APVD/APPROUVE G. Nedellec	-						
PRODUCT SPEC SPEC. PRODUIT	-	NAME TITRE	EPB95-13				
APPLICATION SPEC SPEC. APPLICATION	-	SIZE FORMAT	A4	CAGE CODE	-	DRAWING NO No PLAN	RESTRICTED TO RESERVE A
WEIGHT MASSE APPROX.	-	C=2832033					
Customer Drawing /PLAN CLIENT		UNIQUEMENT POUR REFERENCE	SCALE ECHELLE 1:1	SHEET FEUILLE	OF DE	REV A	