

THIS DRAWING IS UNPUBLISHED.
DIFFUSION RESTREINTE

RELEASED FOR PUBLICATION
LIBRE A LA DIFFUSION

20

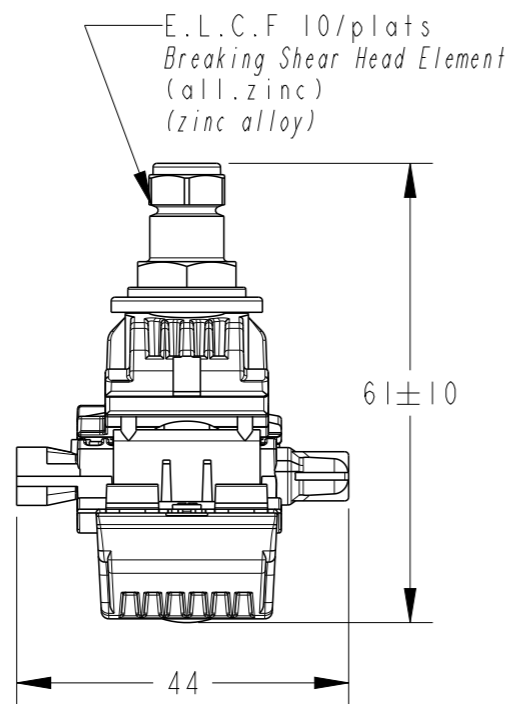
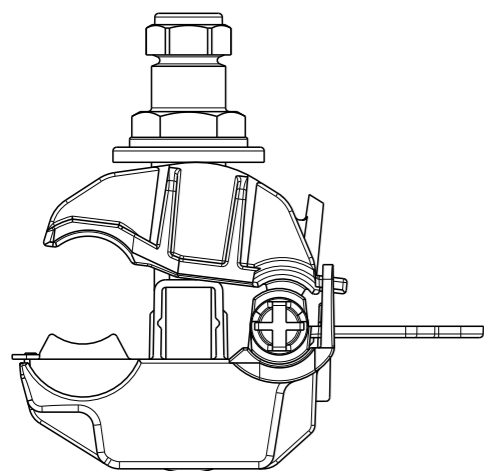
© COPYRIGHT 20 BY -

ALL RIGHTS RESERVED.
TOUS DROITS RESERVES

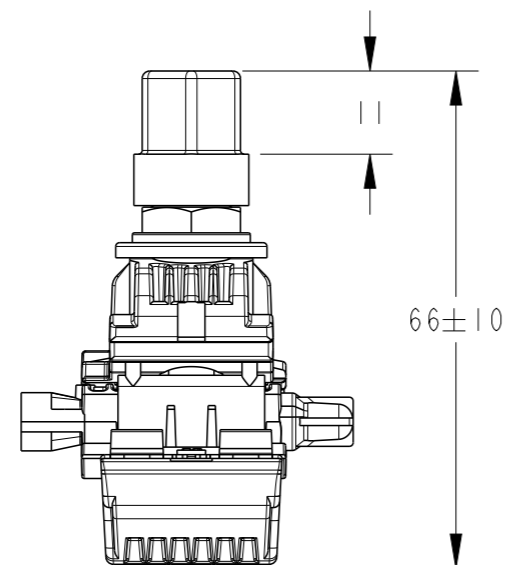
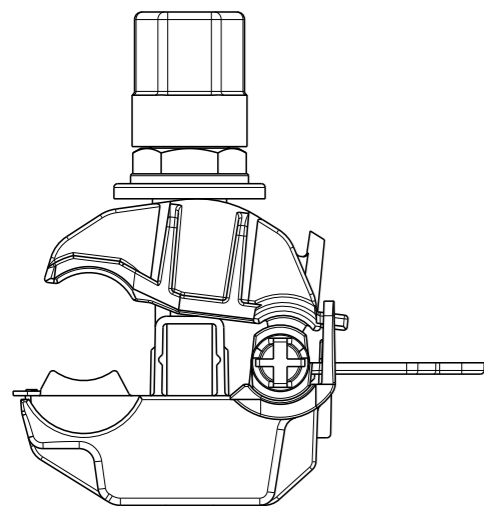
REVISIONS

P	LTR REV	DESCRIPTION MODIFICATIONS	DATE	DWN DESS.	APVD APP.
	F	MODIF TABLEAU	31MAR2008	FM	GP
	G	ECR-13-006957	30APR2013	RB	GN
	H	ECR-14-007451	19MAY2014	NH	AG

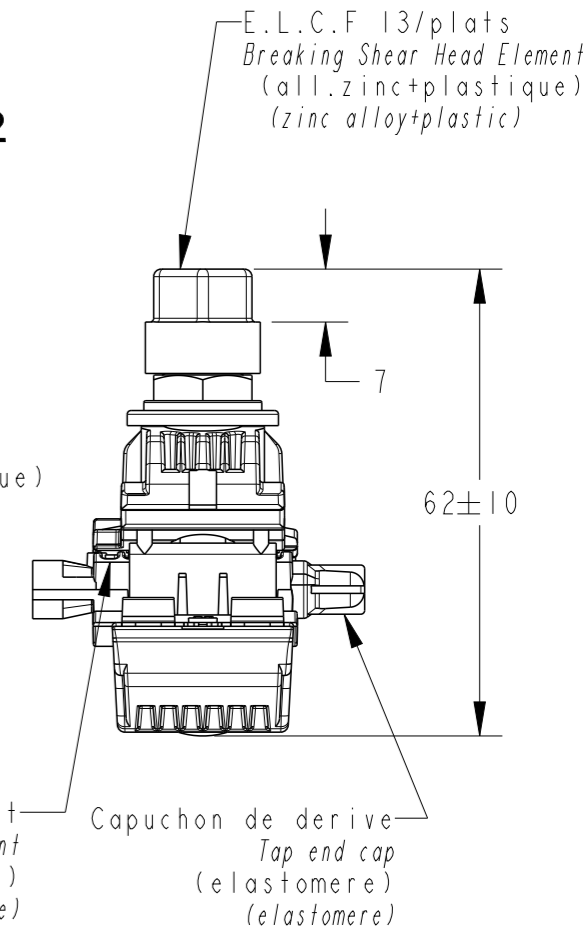
Version 1



Version 3



Version 2



Rondelle Washer (acier inox) (stainless steel)

Graisse Grease

Lames de contact Connecting bridges (cuivre etamme) (tinned copper)

Vis Screw (voir tableau) (see table)

Corps Body (plastique) (plastic)

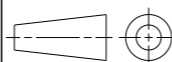
Joint isolant Insulated joint (elastomere) (elastomere)

Capuchon de derive Tap end cap (elastomere) (elastomere)

PN	REFERENCE	Capacities mm2		Version	Matière Vis Screw raw material	Couple rupture ELCF Breaking shear head torque	Cle serrage hexagonale Hexagonal wrench
		Principal Main	Derive Tap				
1727912-1	EP95	16-95	1,5-10	Version1	Acier protégé Protected steel	6,6 to 8 Nm	10 mm
1727912-2	EP35	2,5-35	1,5-6				
1727912-3	EP95-13	16-95	1,5-10	Version2		6,6 to 8 Nm	13 mm
1727912-4	EP35-13	2,5-35	1,5-6				
1727912-5	EP95-13(par12)	16-95	1,5-10	Version1		6,6 to 8 Nm	10 mm
1727912-6	EP35 IPC-S	2,5-35	1,5-6				
1727912-7	EP95 IPC-M	16-95	1,5-10	Version2		6,6 to 8 Nm	13 mm
1727912-8	EP95-13 MP	16-95	1,5-10				
1-1727912-2	EP95-13 SH	16-95	1,5-10	Version3	Acier Inox Stainless steel	6,6 to 8 Nm	13 mm

THIS DRAWING IS A CONTROLLED DOCUMENT.
CE PLAN EST UN DOCUMENT CONTROLE PAR TYCO ELECTRONICS CORPORATION.
IL EST SUSCEPTIBLE D'ETRE REVISE. POUR OBTENIR LA DERNIERE REVISION,
CONTACTER LE SERVICE TECHNIQUE DE TYCO ELECTRONICS SIMEL SAS,
21220 GEVREY-CHAMBERTIN, FRANCE

DIMENSIONS: mm



TOLERANCES UNLESS OTHERWISE SPECIFIED:
TOLERANCES NON SPECIFIEES (SUIV NB DE DECIMALES):
0 PLC/DEC: ±0
1 PLC/DEC: ±0
2 PLC/DEC: ±0
3 PLC/DEC: ±0
4 PLC/DEC: ±0
ANGLES ±-

MATERIAL MATIERE

FINISH FINITION

DWN/DESSINE 24MAR2005
ANDRE

CHK/VERIFIE DEREY

APVD/APPROUVE NEDELLEC

PRODUCT SPEC SPEC. PRODUIT

APPLICATION SPEC SPEC. APPLICATION

WEIGHT MASSE APPROX. 54

Customer Drawing /PLAN CLIENT



TE Connectivity

NAME TITRE EP 35/95 ...

SIZE FORMAT A3

CAGE CODE -

DRAWING NO No PLAN C-1727912

RESTRICTED TO RESERVE A -

UNIQUEMENT POUR REFERENCE

SCALE ECHELLE 1:1

SHEET FEUILLE

OF DE

REV H