



P	LTR	DESCRIPTION	DATE	DWN	APVD
1		NEW DRAWING	31AUG2020	KR	SH


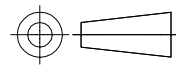
TYPE	Material	L* approx (mm)	Material	L* approx (mm)
CSJA "All In One" cold applied straight joint 	CSJA-12B1/1XU-1XU CSJA-12B1/1XU-1XU-M	625	CSJA-24E/1XU-1XU CSJA-24E/1XU-1XU-M	935
	CSJA-12B/1XU-1XU CSJA-12B/1XU-1XU-M	745	CSJA-24F/1XU-1XU CSJA-24F/1XU-1XU-M	930
	CSJA-12C/1XU-1XU CSJA-12C/1XU-1XU-M	740	CSJA-36D/1XU-1XU CSJA-36D/1XU-1XU-M	805
	CSJA-12D/1XU-1XU CSJA-12D/1XU-1XU-M	820	CSJA-36E/1XU-1XU CSJA-36E/1XU-1XU-M	930
	CSJA-12E/1XU-1XU CSJA-12E/1XU-1XU-M	940	CSJA-36F/1XU-1XU CSJA-36F/1XU-1XU-M	925
	CSJA-12F/1XU-1XU CSJA-12F/1XU-1XU-M	935		
	CSJA-24B/1XU-1XU CSJA-24B/1XU-1XU-M	745		
	CSJA-24C/1XU-1XU CSJA-24C/1XU-1XU-M	740		
	CSJA-24D/1XU-1XU CSJA-24D/1XU-1XU-M	815		

Material	L* approx (mm)
CSBJ-12F/1XU-2XU-M	910
CSBJ-24F/1XU-2XU-M	900

CSBJ
Cold applied branch joint



*based on the BSM mechanical connectors based on DIN VDE 0276 HD 620 A (2004)
 Variations possible depending on cable dimensions and cable connector configuration

THIS DRAWING IS A CONTROLLED DOCUMENT.		DWN RAGHAVENDRA K 31AUG2020	 TE Connectivity Ltd.	
DIMENSIONS: mm		CHK SEJLA HELJO 31AUG2020		
		APVD SEJLA HELJO 31AUG2020	NAME MV cold applied joints CSJA/CSBJ joints	
TOLERANCES UNLESS OTHERWISE SPECIFIED:		PRODUCT SPEC	SIZE A3	
0 PLC ± -		APPLICATION SPEC	CAGE CODE 00779	DRAWING NO EPD-204-2260-00
1 PLC ± -		—	RESTRICTED TO —	
2 PLC ± -		—	SCALE NTS	
3 PLC ± -		—	SHEET 1 of 1	
4 PLC ± -		—	REV 1	
ANGLES ± -		—	CUSTOMER DRAWING	
FINISH		WEIGHT		