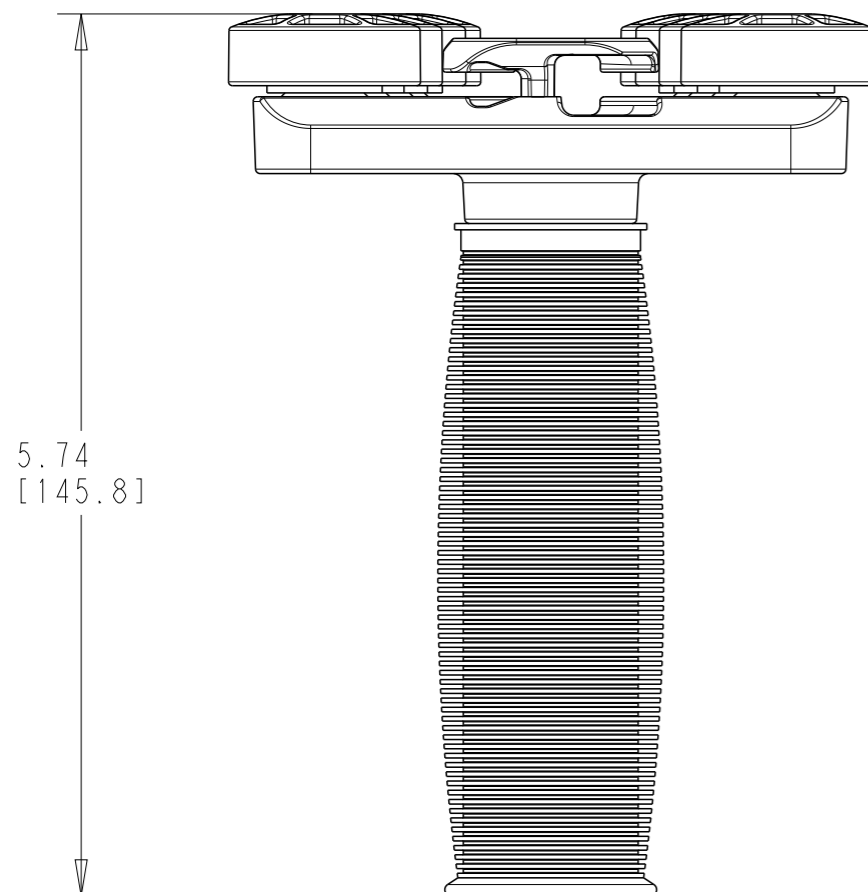
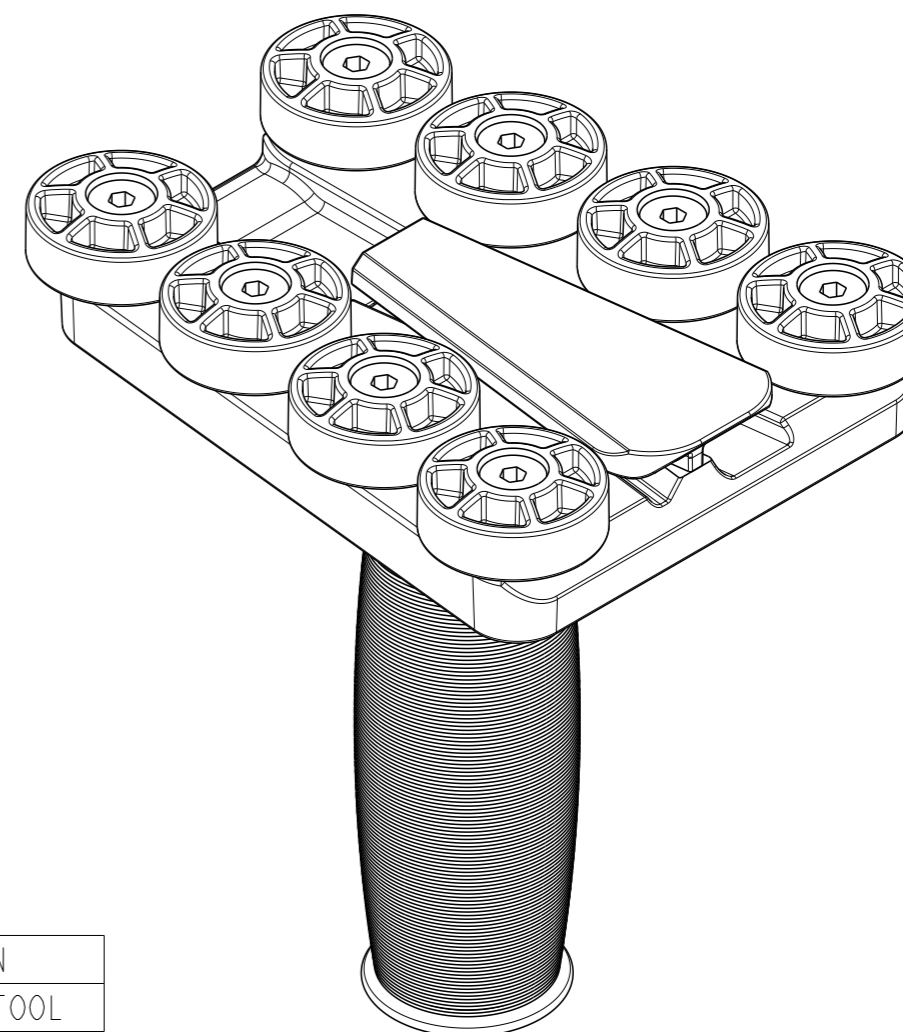
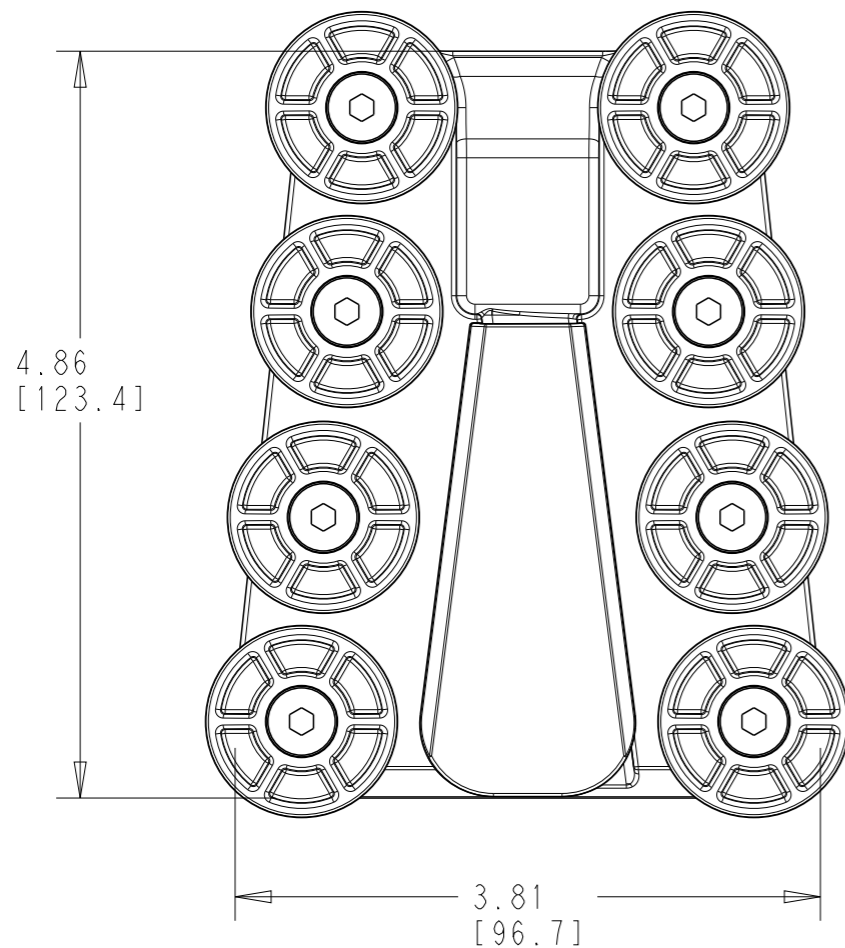


P	LTR	DESCRIPTION	DATE	DWN	APVD
	A	INITIAL RELEASE	06DEC2021	BG	LH



TE-PN	DESCRIPTION
EL6018-000	MVLC-38R-HANDTOOL

THIS DRAWING IS A CONTROLLED DOCUMENT.		DWN B. GUARDIOLA 06DEC2021			
DIMENSIONS: in		CHK L. HILLER 06DEC2021			
		APVD L. HILLER 06DEC2021	NAME MVLC-38R HANDTOOL		
 TOLERANCES UNLESS OTHERWISE SPECIFIED: 0 PLC ±. 1 PLC ±.1 2 PLC ±.01 3 PLC ±.001 4 PLC ±.0001 ANGLES ±. 		PRODUCT SPEC -	RESTRICTED TO -		
MATERIAL -		APPLICATION SPEC -	SIZE A3	CAGE CODE 00779	DRAWING NO E00001960
FINISH -		WEIGHT -	SCALE 4:5		SHEET 1 OF 1
		CUSTOMER DRAWING		REV A	