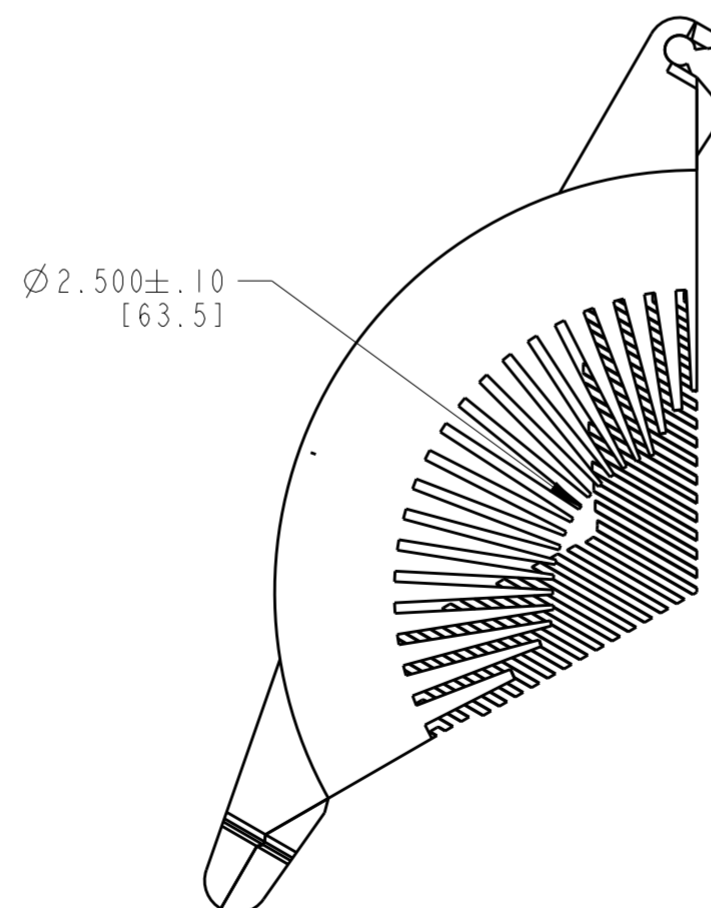
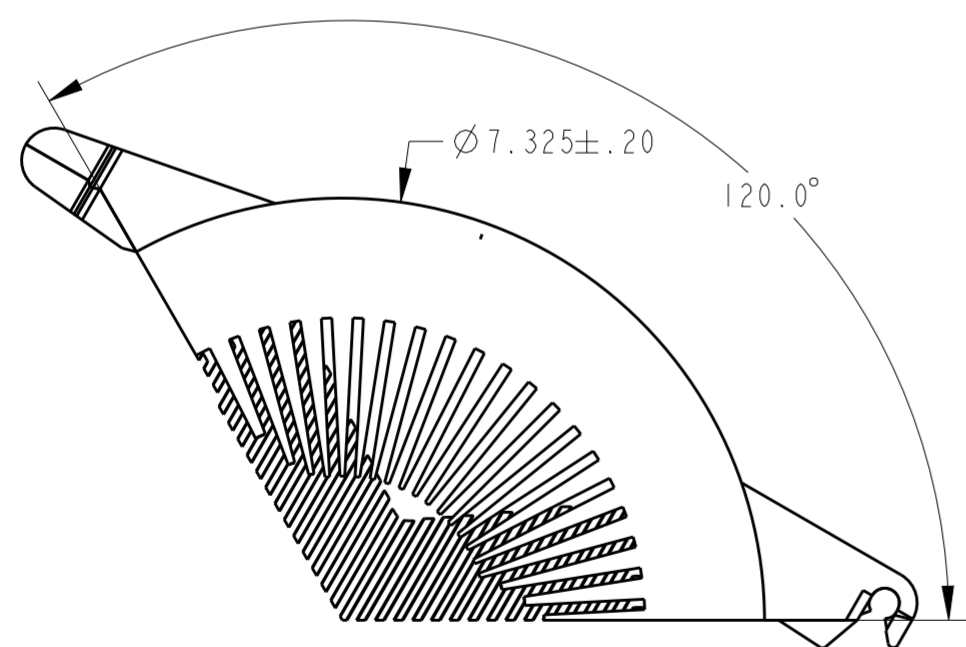
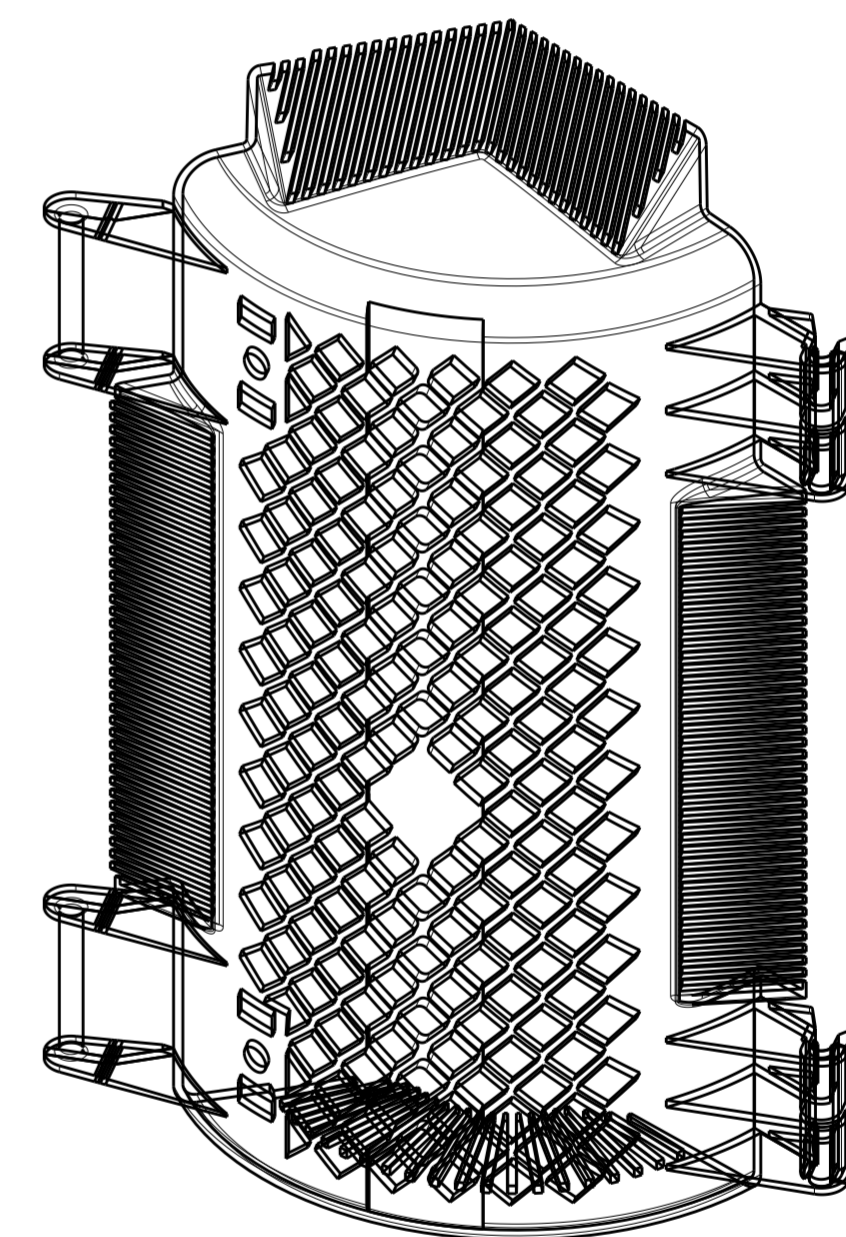
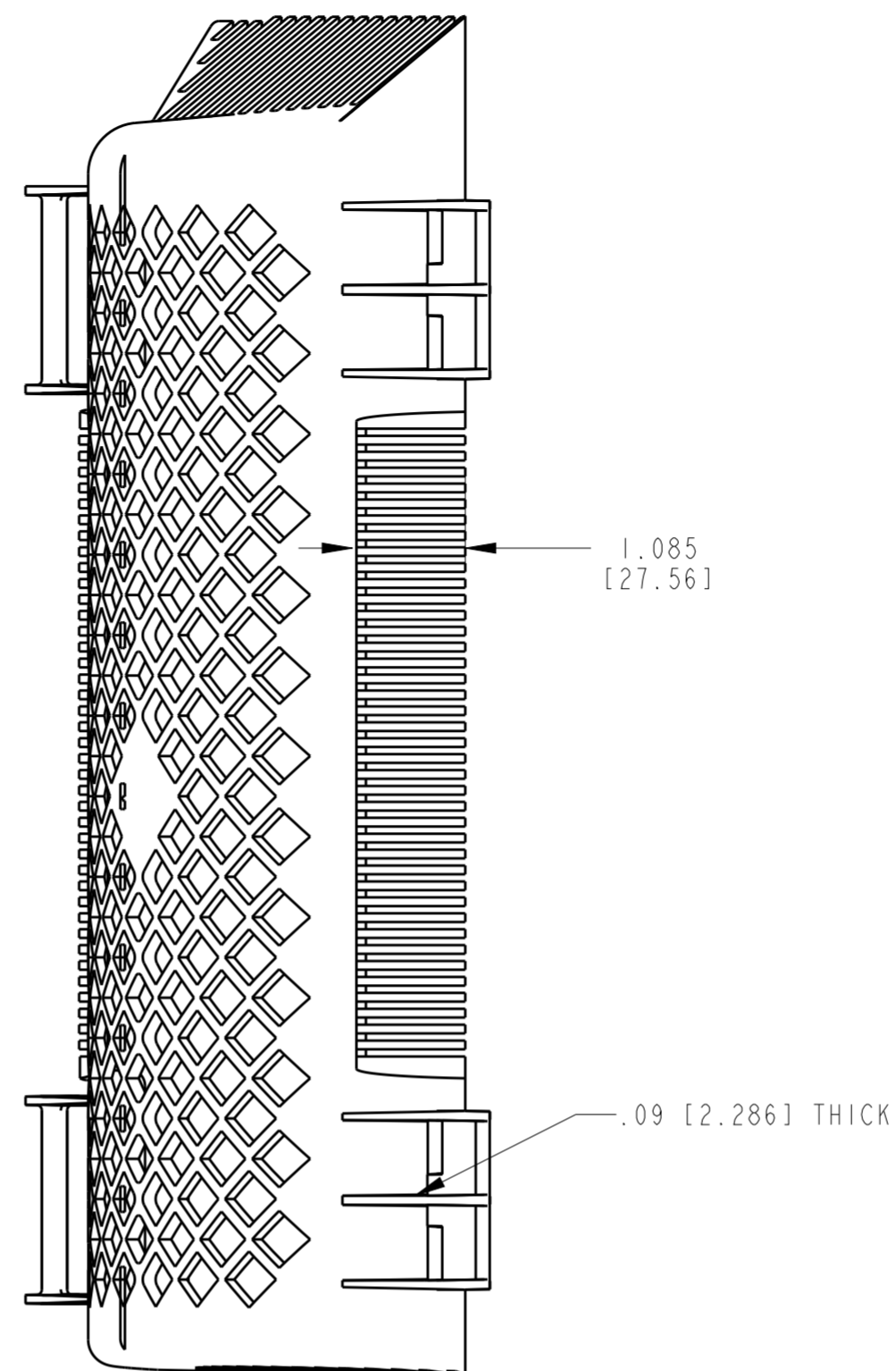
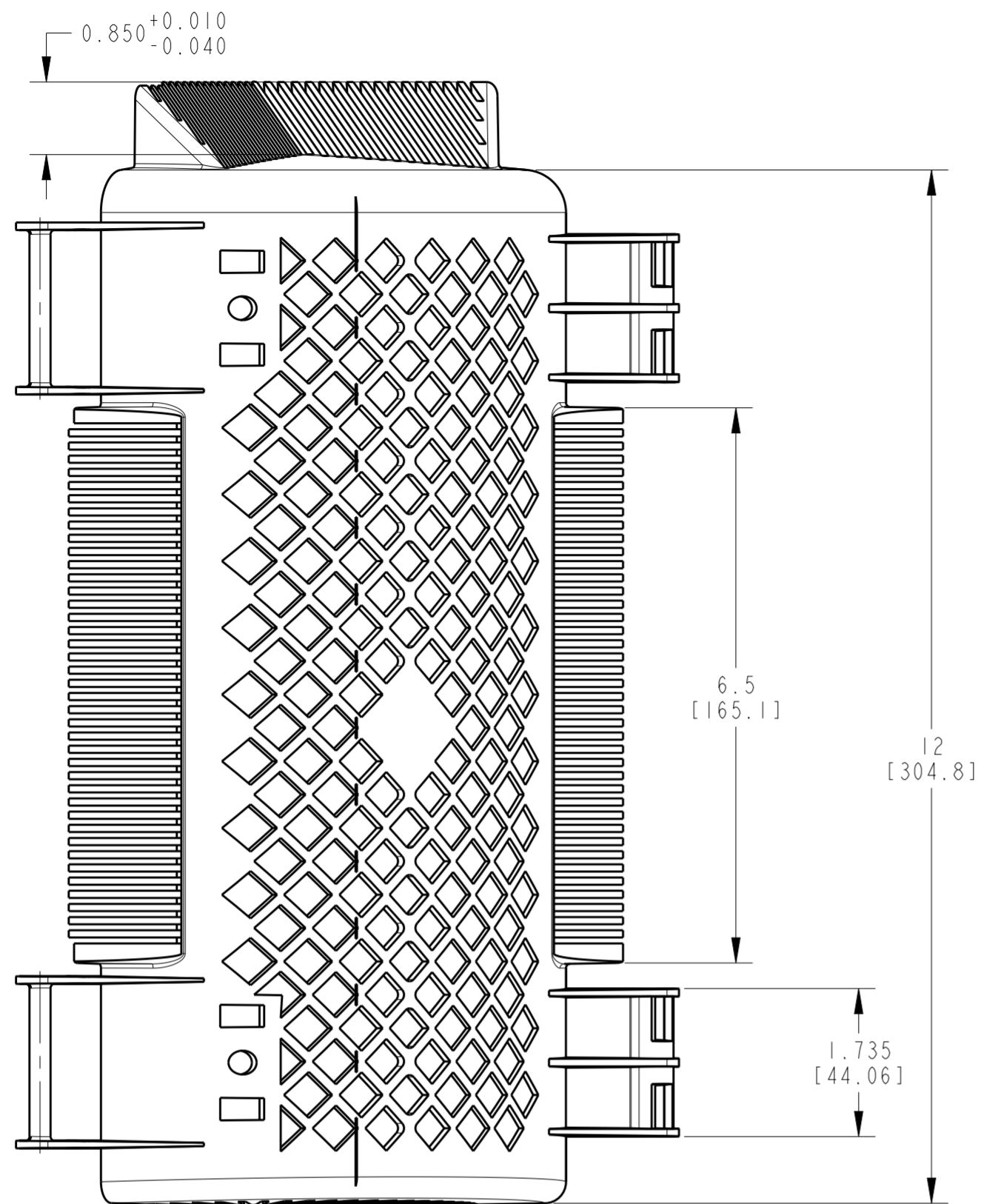


P	LTR	DESCRIPTION	DATE	DWN	APVD
A		INITIAL RELEASE	19MAY2020	AS	LH



NOTES:

- PARTS ARE KITTED 6 ASSEMBLIES PER BOX. EACH ASSEMBLY CONSISTS OF 3 PIECES SNAPPED TOGETHER IN TWO PLACES. P11-56104 ALSO INCLUDED.
- EACH BOX SHALL BE LABELLED WITH DESCRIPTION, LOT NUMBER, PART NUMBER, MANUFACTURING DATE AND QUANTITY.

TCPN	DESCRIPTION
CS7743-000	BCAC-G-1C-7D/12(B6)
CS7744-000	BCAC-1C-7D/12(B6)
EP8394-000	BCAC-P-1C-7D/12(B6)

THIS DRAWING IS A CONTROLLED DOCUMENT.		DWN A. SABARAD 19MAY2020	TE Connectivity															
DIMENSIONS: INCH(MM)		CHK S. LIGHT 19MAY2020																
TOLERANCES UNLESS OTHERWISE SPECIFIED:		APVD L. HILLER 19MAY2020	NAME BCAC-G-1C-7D/12 BCAC-1C-7D/12															
<table border="1"> <tr><td>0 PLC</td><td>±</td></tr> <tr><td>1 PLC</td><td>±</td></tr> <tr><td>2 PLC</td><td>±</td></tr> <tr><td>3 PLC</td><td>±</td></tr> <tr><td>4 PLC</td><td>±</td></tr> <tr><td>ANGLES</td><td>±</td></tr> <tr><td>FINISH</td><td>±</td></tr> </table>		0 PLC	±	1 PLC	±	2 PLC	±	3 PLC	±	4 PLC	±	ANGLES	±	FINISH	±	PRODUCT SPEC	RESTRICTED TO	
0 PLC	±																	
1 PLC	±																	
2 PLC	±																	
3 PLC	±																	
4 PLC	±																	
ANGLES	±																	
FINISH	±																	
MATERIAL		APPLICATION SPEC	SIZE A2	CAGE CODE 00779														
		WEIGHT	DRAWING NO E00000881	SCALE 5:1														
		CUSTOMER DRAWING	SHEET 1 OF 1 REV A1															