

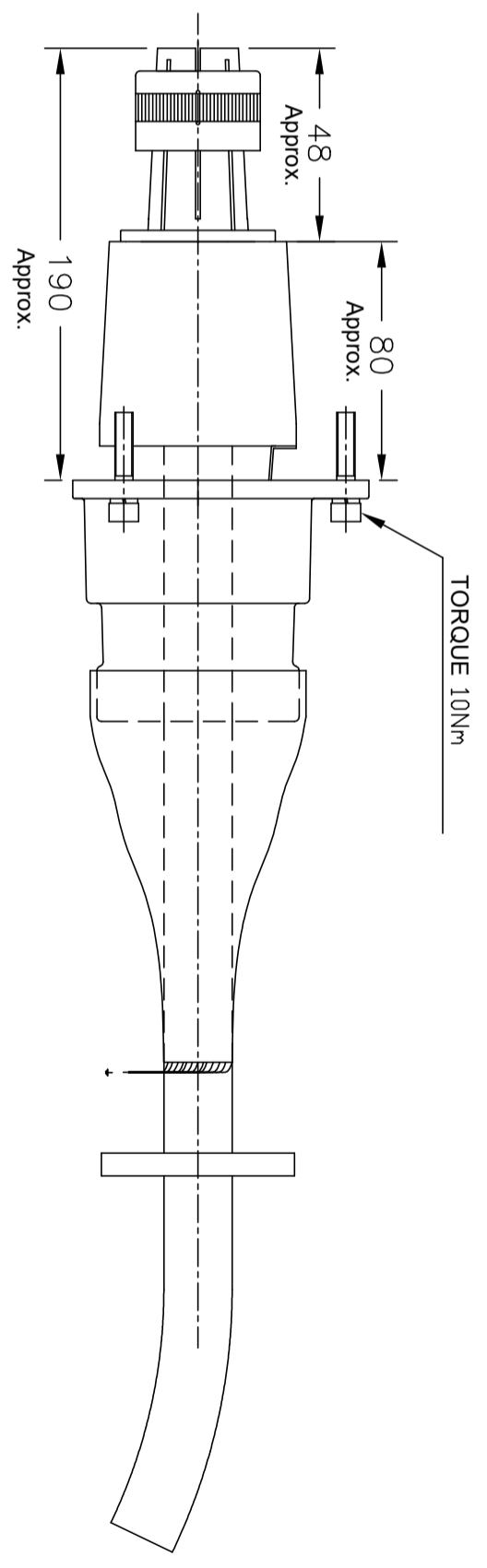
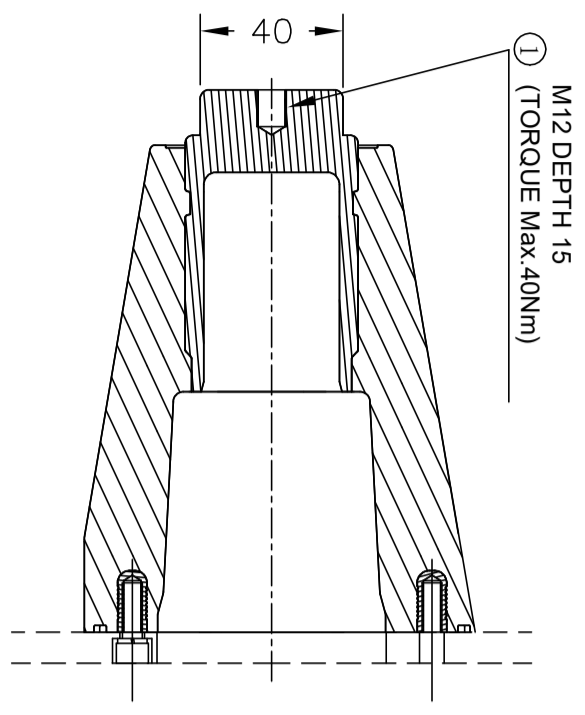
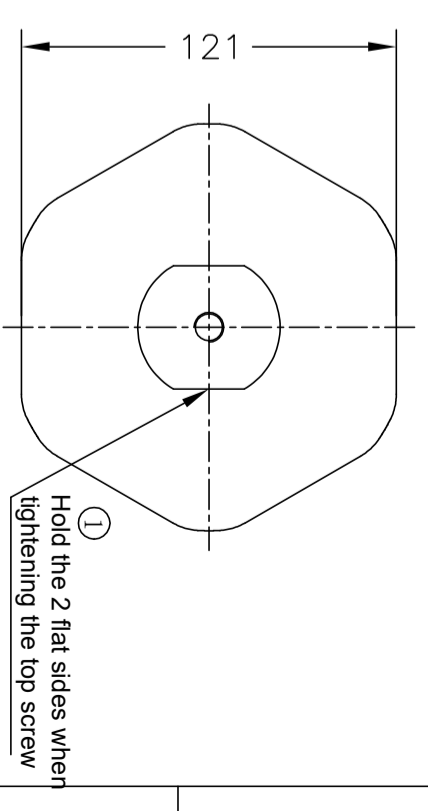
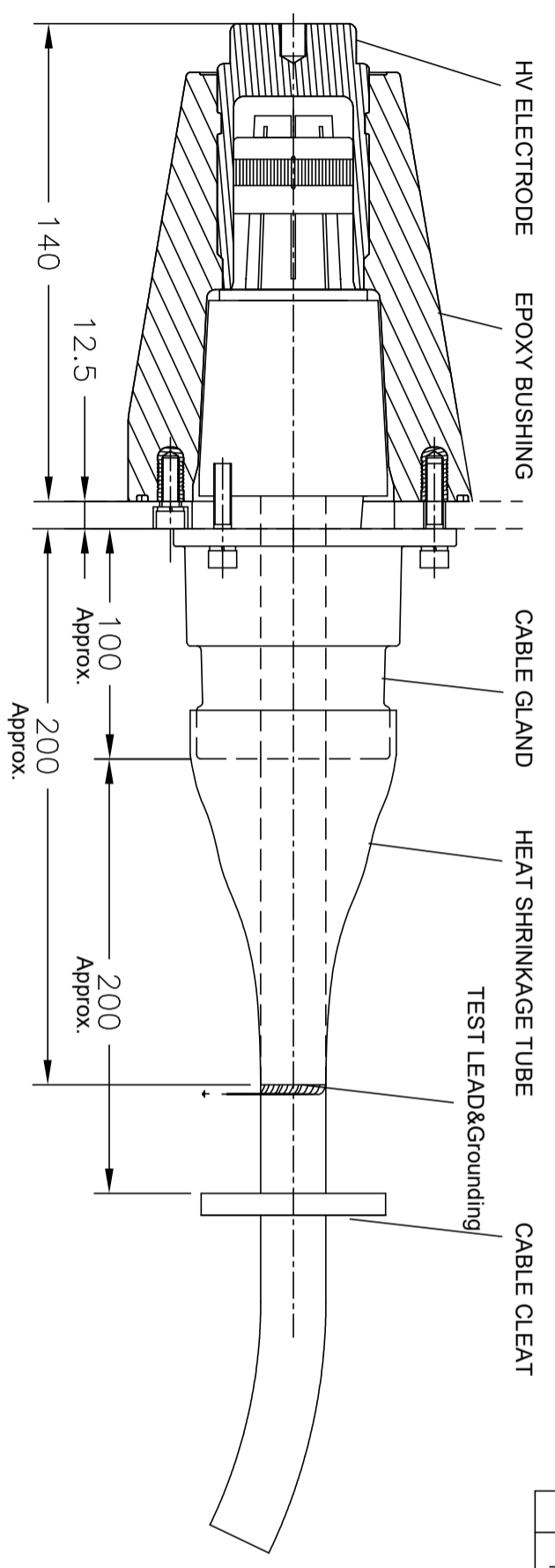
THIS DRAWING IS UNPUBLISHED.

RELEASED FOR PUBLICATION
ALL RIGHTS RESERVED.

© COPYRIGHT - TE Connectivity Ltd.

REVISIONS

| P | LTR | DESCRIPTION | DATE | DWN | APVD |
|---|----------|-------------|------|------|------|
| 1 | ORIGINAL | | | W.X. | L.K. |



TECHNICAL DATA

| | |
|----------------------------------|-----------|
| MAX. VOLTAGE U _m (kV) | 42 |
| AC Withstand(kV) | 117 |
| LIGHTING IMPULSE VOLTAGE(kV) | 200 |
| MAX. INSULATION DIA. (mm) | 42 |
| THERMAL SC | 31.5KA/3S |
| DYNAMIC SC | 125KA |
| Rated current(A) | Max.800 |
| WEIGHT(kg) | 1.5 |

THIS DRAWING IS A CONTROLLED DOCUMENT.

DIMENSIONS: mm

TOLERANCES UNLESS OTHERWISE SPECIFIED:

| | | | |
|---|------------|---|---|
| 0 | PLC | ± | - |
| 1 | PLC | ± | - |
| 2 | PLC | ± | - |
| 3 | PLC | ± | - |
| 4 | PLC ANGLES | ± | - |
| | FINISH | | ± |



TE Connectivity Ltd.

RPIT INNER CONE PLUG-IN TERMINATION SIZE 2

| | | | |
|-----|------------|------------------|----------|
| DWN | WILLIAM XU | NAME | |
| CHK | JANE WU | APVD | RICK YAO |
| | | PRODUCT SPEC | |
| | | APPLICATION SPEC | |
| | | WEIGHT | |
| | | SIZE | A3 |
| | | CAGE CODE | 00779 |
| | | DRAWING NO | 2259669 |
| | | SCALE | 1:1 |
| | | SHEET | 1 OF 1 |
| | | REV | 1 |
| | | CUSTOMER DRAWING | |