

THIS DRAWING IS UNPUBLISHED.
DIFFUSION RESTREINTE

RELEASED FOR PUBLICATION
LIBRE A LA DIFFUSION

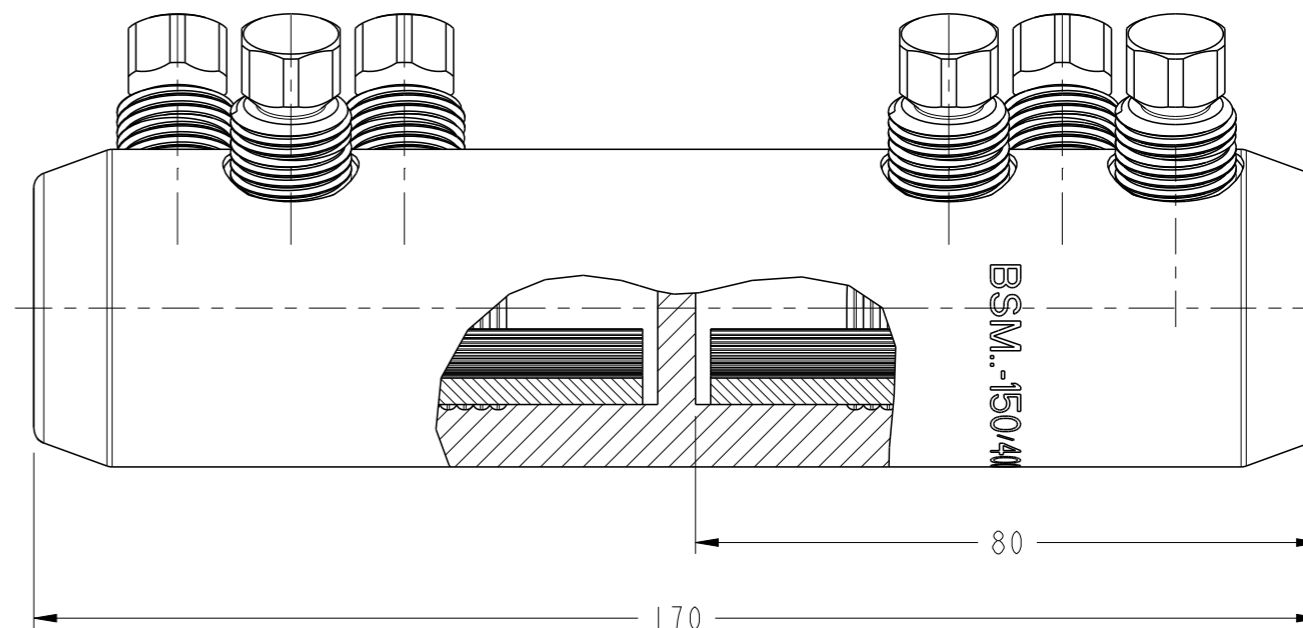
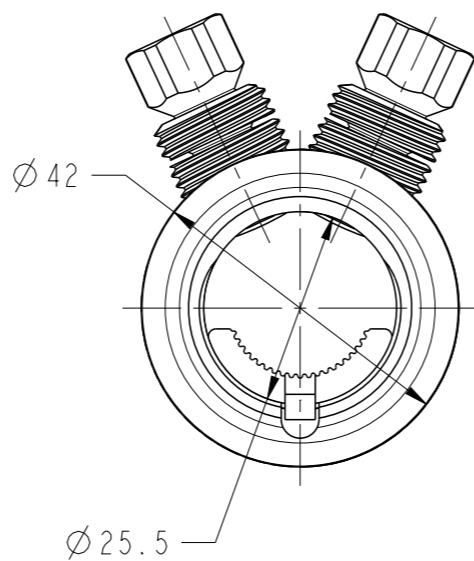
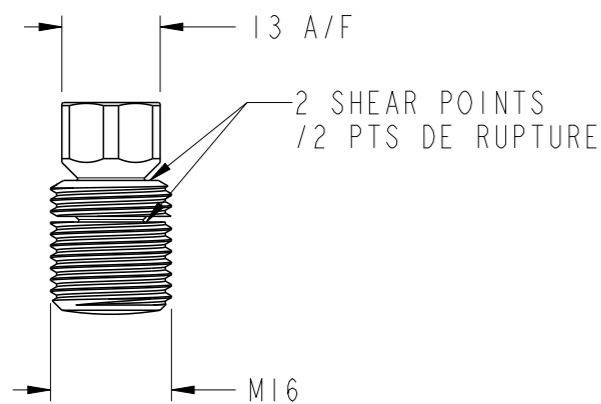
2011

© COPYRIGHT 2011 BY -

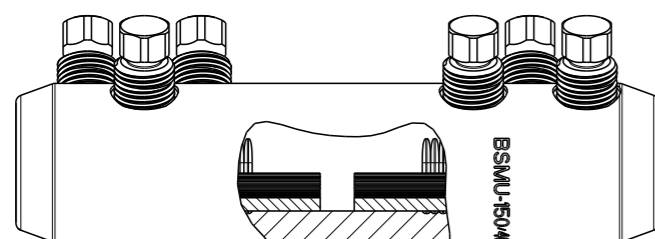
ALL RIGHTS RESERVED.
TOUS DROITS RESERVES

REVISIONS

P	LTR REV	DESCRIPTION MODIFICATIONS	DATE	DWN DESS.	APVD APP.
	A	CREATION	10SEP2014	BP	AG
	B	ECR-16-003030	29FEB2016	JB	NA

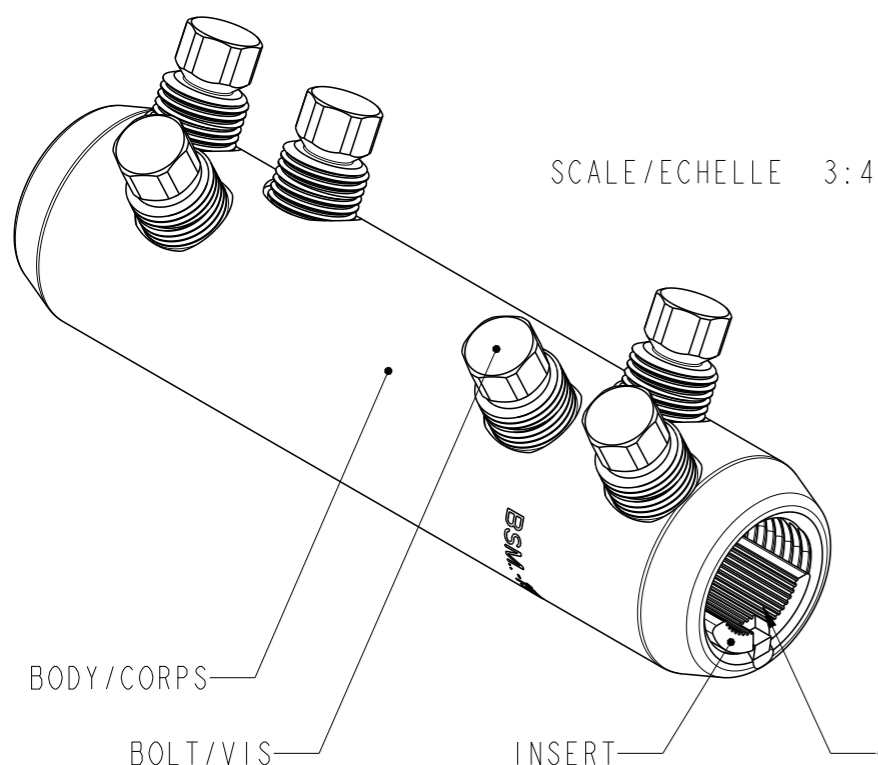


BSMU-150/400	2107832-2	UNBLOCKED/NON ETANCHE
BSMB-150/400	2107832-1	BLOCKED/ETANCHE
DESCRIPTION	PART NUMBER	VERSION



UNBLOCKED VERSION/VERSION NON ETANCHE

BLOCKED VERSION/VERSION ETANCHE



	AL				CU		
	ROUND STRANDED /Circ. câblé /RM	ROUND SOLID /Circ.massif /RE	SECTOR STRANDED /Sectoral câblé /SM	SECTOR SOLID /Sectoral massif /SE	ROUND STRANDED /Circ. câblé /RM	SECTOR STRANDED /Sectoral câblé /SM	ROUND FLEXIBLE /Circ. Flexible
CONDUCTOR CROSS-SECTION /Section conducteur /Querschnittsbereich mm ²	150/400	150/400	150/240	185/300 (300 with 90°)	150/400	150/185	240-300 (Class 5)
CONDUCTOR DIAMETER /Diamètre conducteur /Leiterdurchmesser mm	Ø 13.7-Ø 24.6	Ø 12.9-Ø 22.2	-	-	Ø 13.7-Ø 24.6	-	Ø 19-Ø 21(240 ²) Ø 23.5-Ø 25(300 ²)

TOLERANCES UNLESS OTHERWISE SPECIFIED
TOLERANCES NON SPECIFIEES: -

THIS DRAWING IS A CONTROLLED DOCUMENT.
CE PLAN EST UN DOCUMENT CONTROLE PAR TYCO ELECTRONICS CORPORATION.
IL EST SUSCEPTIBLE D'ETRE REVISE. POUR OBTENIR LA DERNIERE REVISION,
CONTACTER LE SERVICE TECHNIQUE DE TYCO ELECTRONICS SIMEL SAS,
21220 GEVREY-CHAMBERTIN, FRANCE.

DWN/DESSINE 10SEP2014
B. PELTIER

CHK/VERIFIE E. DEREY

APVD/APPROUVE N. ALMEIDA

PRODUCT SPEC SPEC. PRODUIT -

APPLICATION SPEC SPEC. APPLICATION IEC 61238

WEIGHT MASSE APPROX. 469g

SIZE FORMAT A3

CAGE CODE -

DRAWING NO No PLAN C=2107832

RESTRICTED TO RESERVE A -

CUSTOMER DRAWING /PLAN CLIENT

UNIQUEMENT POUR REFERENCE

SCALE ECHELLE 1:1

SHEET FEUILLE 1 OF DE 1

REV B

STE TE Connectivity

NAME TITRE BSMB-150/400
BSMU-150/400