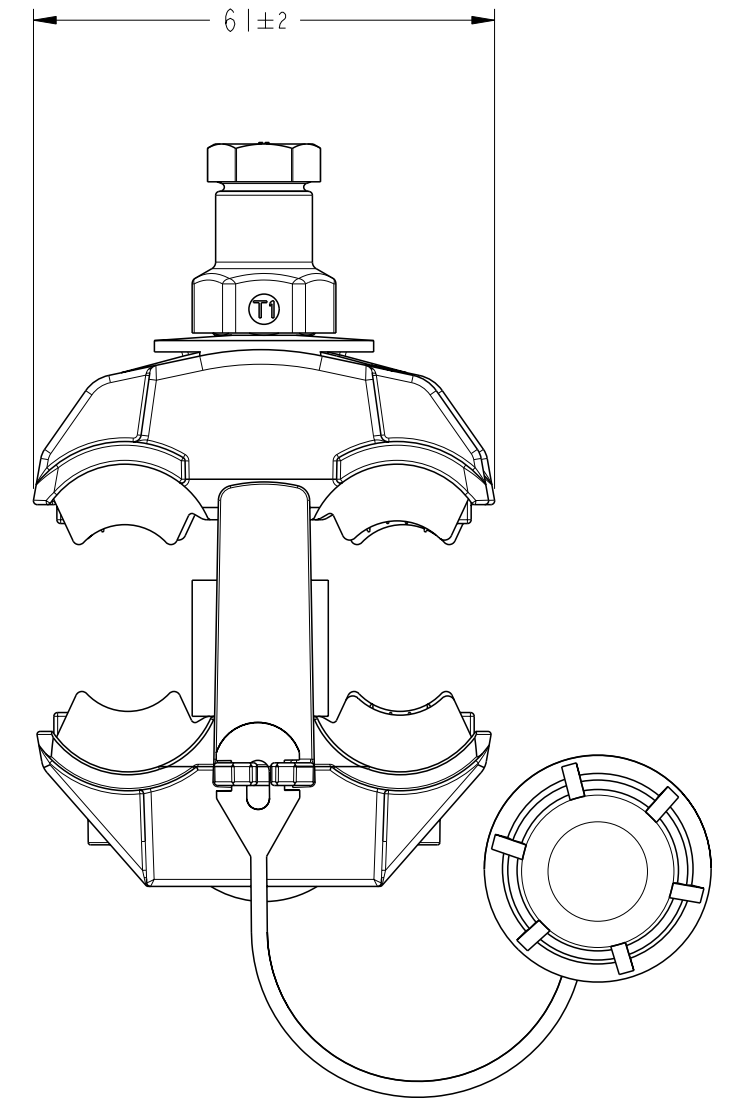
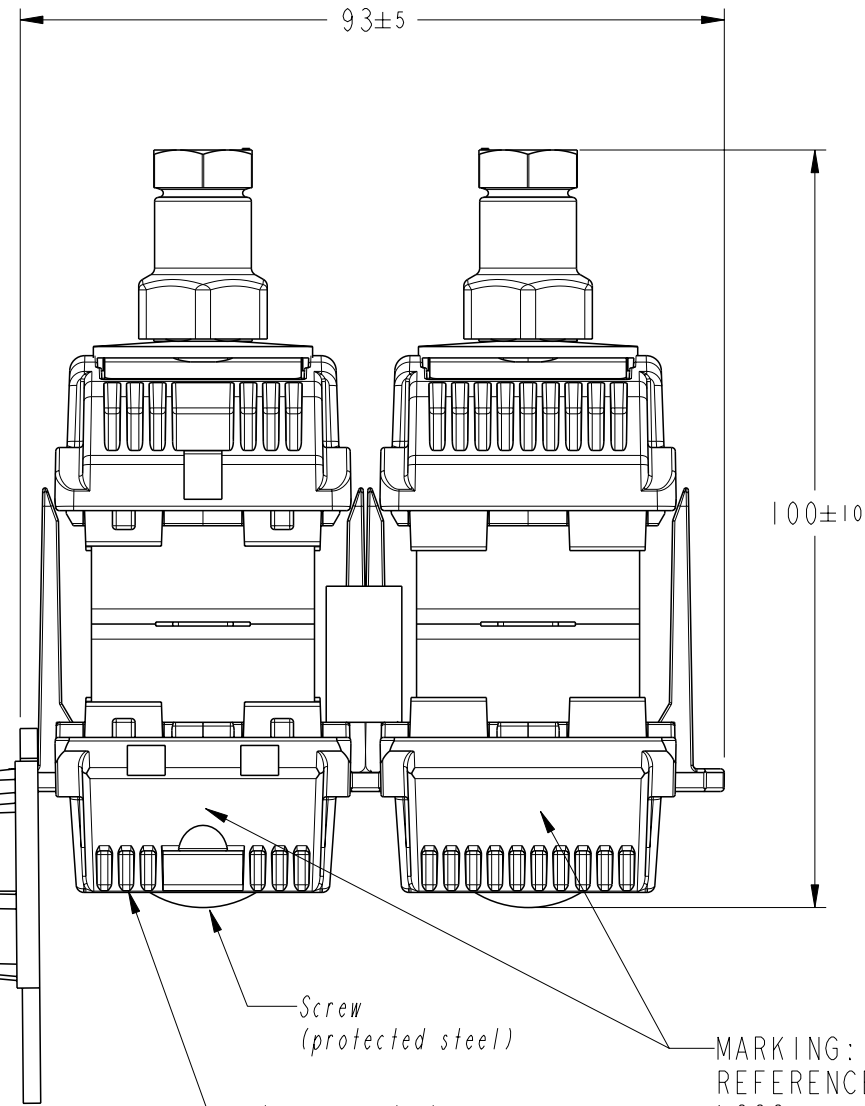
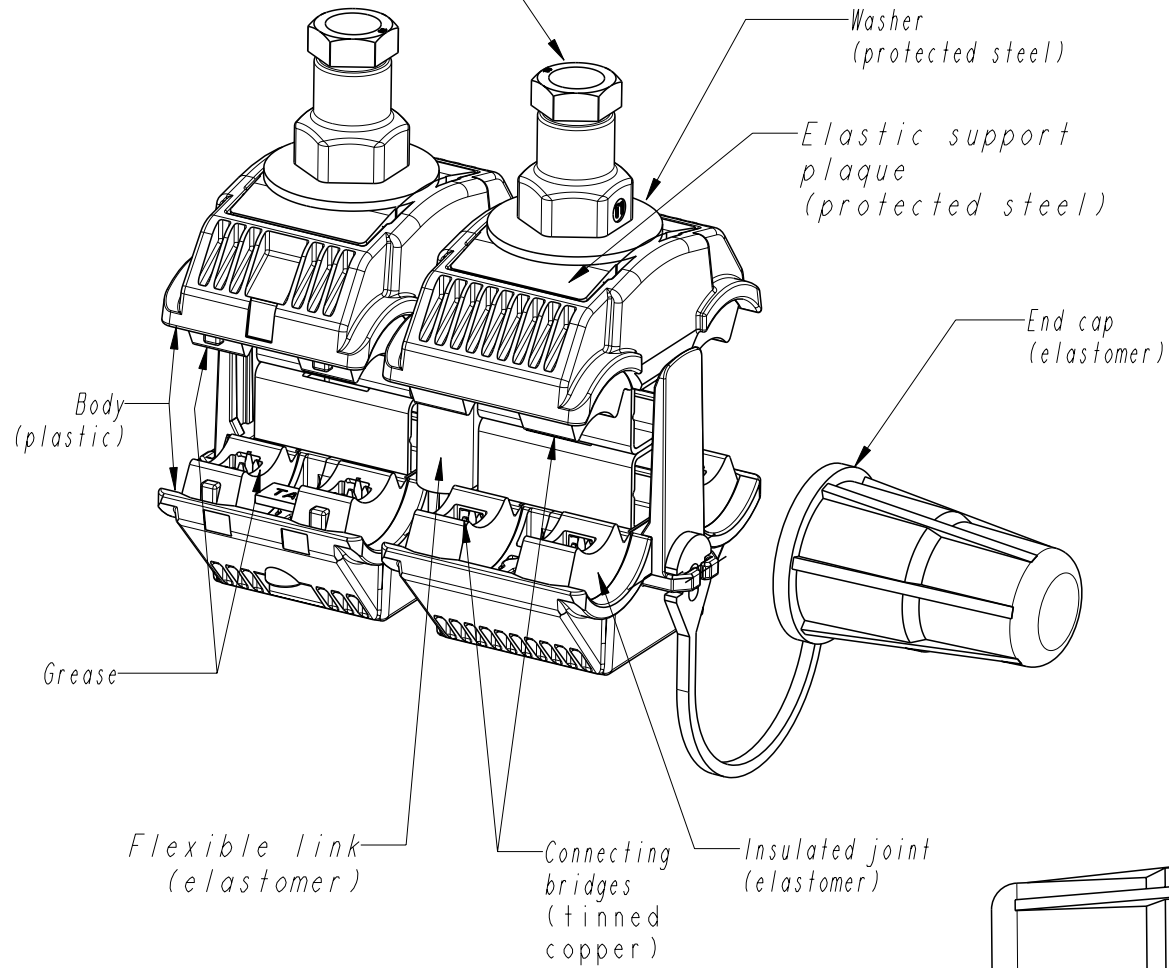


REVISIONS

P	LTR REV	DESCRIPTION MODIFICATIONS	DATE	DWN DESS.	APVD APP.
	A	CREATION	06FEB2020	JB	GN

13mm head size  
Breaking Shear Head Element  
(zinc alloy)



MARKING:  
REFERENCE  
LOGO  
WRENCH  
CAPACITIES

PN	REFERENCE	Conductor Range		Nominal Breaking shear head torque	Hexagonal wrench
		Main	Tap *		
2107363-1	P4HI50D	54.6-95RM	95-150SE	22Nm	13 mm

\*: TAP CABLE UV PROTECTED WITH HEAT SHRINK SLEEVE

THIS DRAWING IS A CONTROLLED DOCUMENT.  
CE PLAN EST UN DOCUMENT CONTROLE PAR TYCO ELECTRONICS CORPORATION.  
IL EST SUSCEPTIBLE D'ETRE REVISE. POUR OBTENIR LA DERNIERE REVISION,  
CONTACTER LE SERVICE TECHNIQUE DE TYCO ELECTRONICS SIMEL SAS,  
21220 GEVREY-CHAMBERTIN, FRANCE.

DIMENSIONS: mm	TOLERANCES UNLESS OTHERWISE SPECIFIED: TOLERANCES NON SPECIFIEES (SUIV NB DE DECIMALES): 0 PLC/DEC: ±0 1 PLC/DEC: ±0 2 PLC/DEC: ±0 3 PLC/DEC: ±0 4 PLC/DEC: ±0 ANGLES ±
MATERIALE MATIERE	FINISH FINITION

DWN/DESSINE J. BERLAND	06FEB2020
CHK/VERIFIE B. MILLOT	-
APVD/APPROUVE G. NEDELLEC	-
PRODUCT SPEC SPEC. PRODUIT	-
APPLICATION SPEC SPEC. APPLICATION	-
WEIGHT MASSE APPROX.	400g
CUSTOMER DRAWING /PLAN CLIENT	

TE Connectivity		NAME TITRE		RESTRICTED TO RESERVE A	
		P4HI50D		-	
SIZE FORMAT	CAGE CODE	DRAWING NO No PLAN	UNIQUEMENT POUR REFERENCE		
A3	-	C-2107363	SCALE ECHELLE	SHEET FEUILLE	OF DE
		1:2		1	REV A

TOLERANCES UNLESS OTHERWISE SPECIFIED  
TOLERANCES NON SPECIFIEES: -