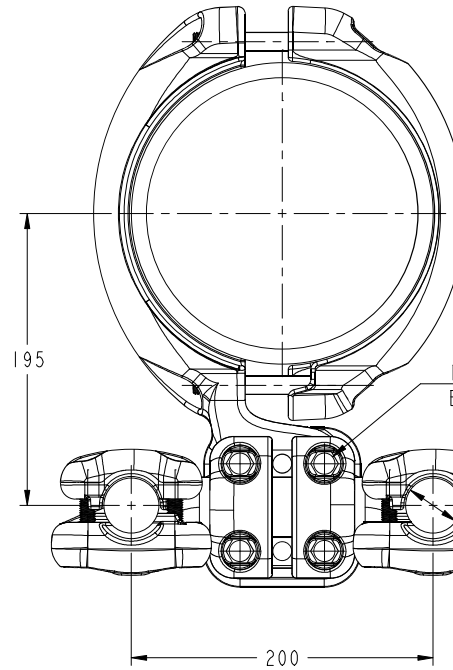
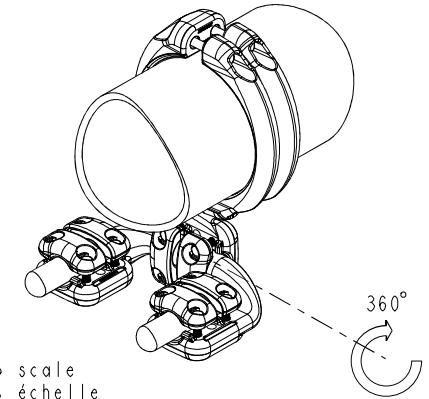
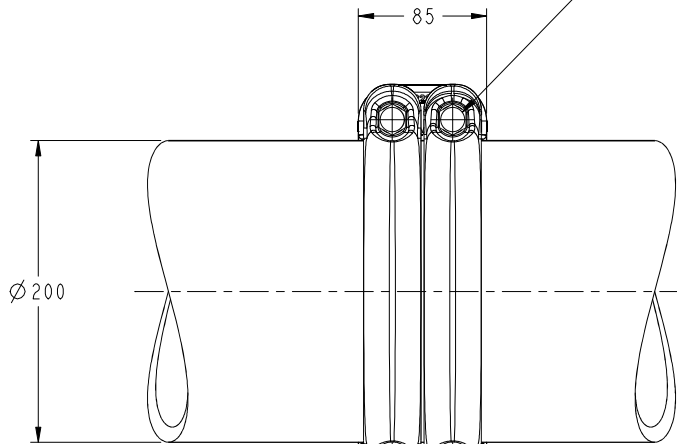


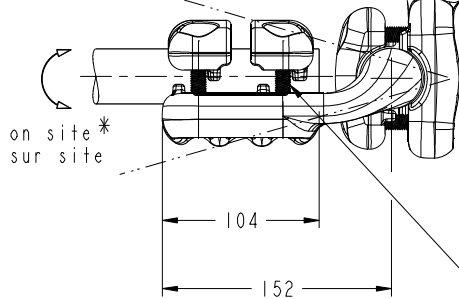
REVISIONS

P	LTR	DESCRIPTION	DATE	DWN	APVD
	A	CREATION	05JUL2023	SR	CG

M10 Bolts stainless steel A2: 37Nm
 Boulons M10 acier inoxydable A2: 37Nm



M10 Bolts stainless steel A2: 37Nm *
 Boulons M10 acier inoxydable A2: 37Nm



M10 Bolts stainless steel A2: 37Nm
 Boulons M10 acier inoxydable A2: 37Nm

Ø 34.6-36.5

* In case of loosening contact surfaces must be cleaned and greased
 Refer to installation instruction
 En cas de desserrage, les surfaces de contact doivent être nettoyées et graissées
 Se référer à la notice d'installation

THIS DRAWING IS A CONTROLLED DOCUMENT.		DWN S. RANJITH 05JUL2023	TE Connectivity	
DIMENSIONS: mm		CHK M. PREVOT 05JUL2023		
TOLERANCES UNLESS OTHERWISE SPECIFIED:		APVD C. GLOMMEAU 05JUL2023	NAME ADJUSTABLE CONNECTOR FOR TUBE TO TWIN CONDUCTORS RACCORD ADJUSTABLE POUR TUBE VERS FAISCEAU DOUBLE 5 MJA 82 A T200 M365 E200	
		PRODUCT SPEC 108-69096-001	RESTRICTED TO	
MATERIAL		APPLICATION SPEC	SIZE A3	CAGE CODE 00779
FINISH		WEIGHT 7.3 kg	DRAWING NO C=2466370	REV A
CUSTOMER DRAWING			SCALE 3:10	SHEET 1 OF 1