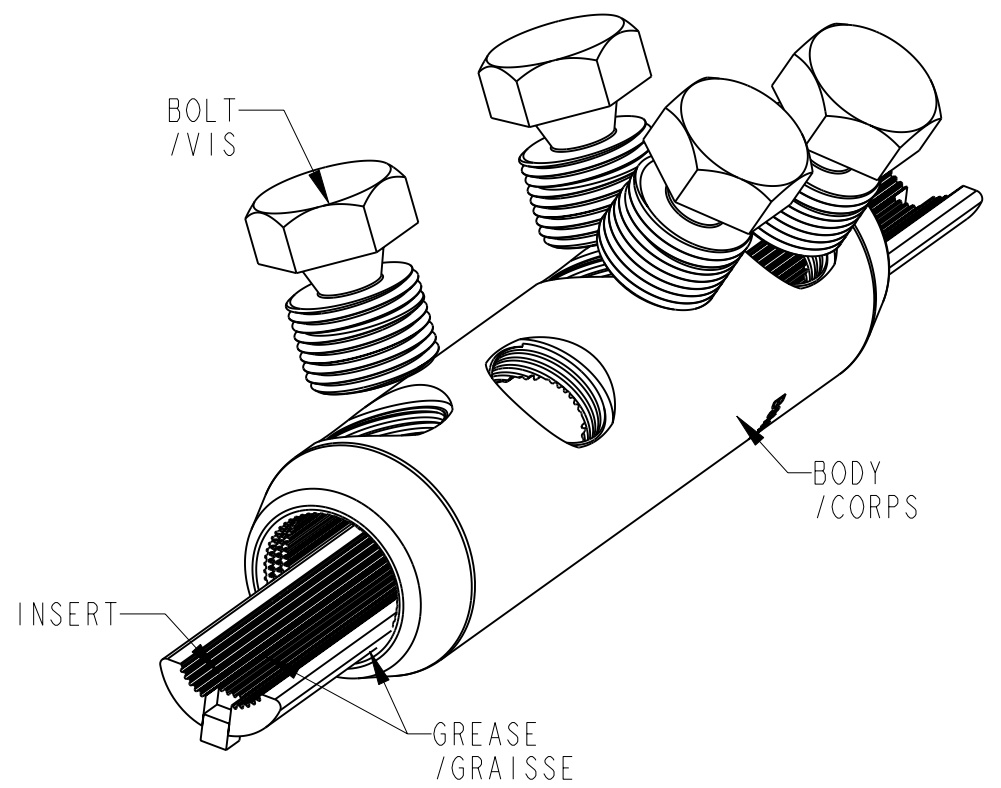
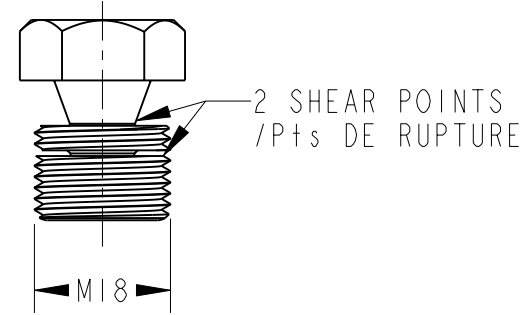
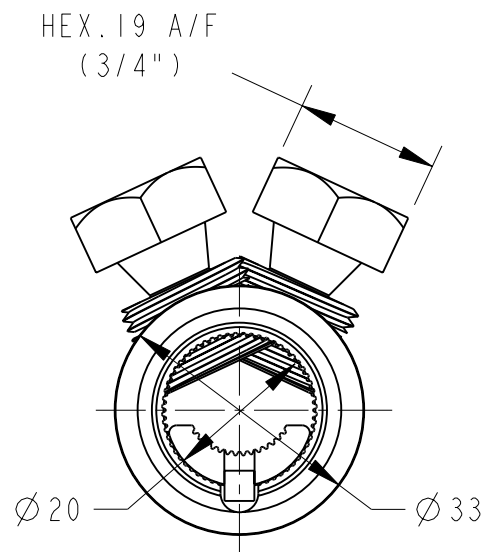
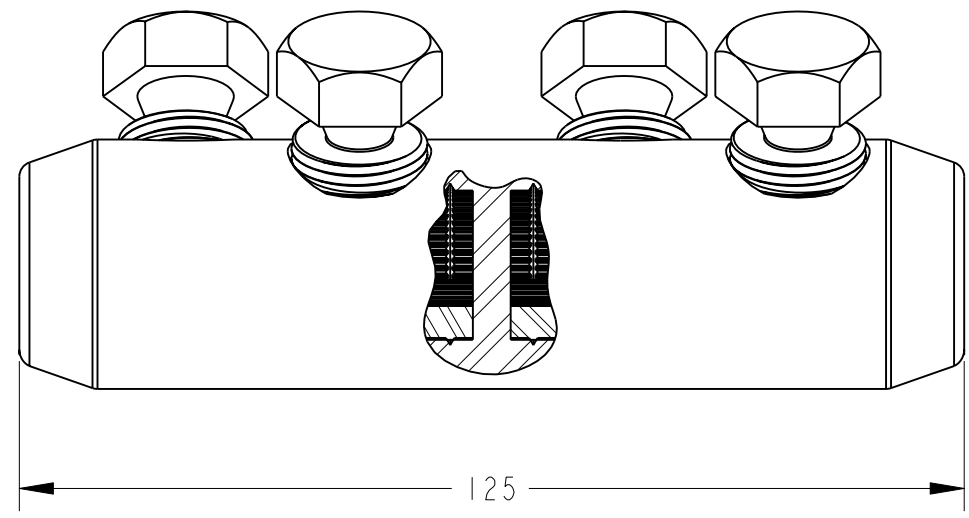


THIS DRAWING IS UNPUBLISHED.
 DIFFUSION RESTREINTE AMP
 © COPYRIGHT 20

RELEASED FOR PUBLICATION
 LIBRE A LA DIFFUSION
 20
 ALL RIGHTS RESERVED.
 TOUS DROITS RESERVES

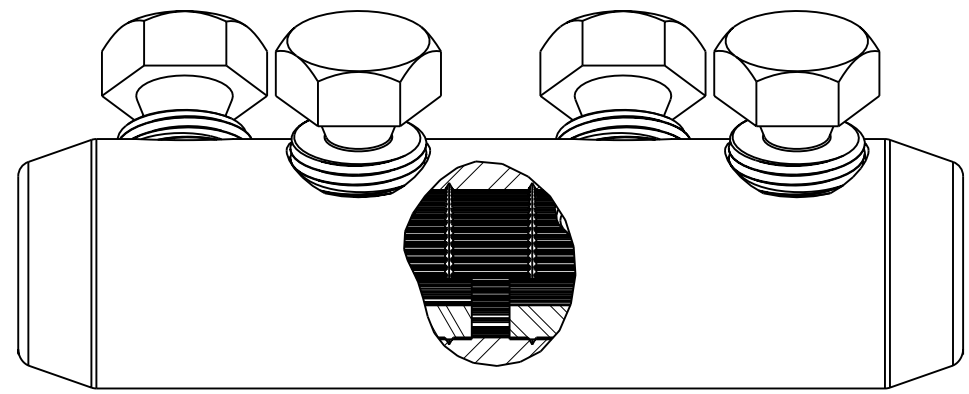
LOC		DIST		REVISIONS			
P	LTR REV	DESCRIPTION MODIFICATIONS	DATE	DWN DESS.	APVD APP.		
	7	MISE A JOUR CAPACITES	18OCT2002	JB	AD		
	A	UPDATED	26APR2004	PB	AD		
	B	CROSS SECTION ALU ROUND SOLID ADDED	15NOV2006	AB	PB		
	C	ADD 70 ² STRANDED CROSS SECTION	06APR2011	BM	NA		

BLOCKED VERSION



BSM-95/240	1-1200143-7	695012-000
DESCRIPTION	PN	RPN

UNBLOCKED VERSION



	AL				CU	
	ROUND STRANDED /Rond câblé /RM	ROUND SOLID /Rond solide /RE	SECTOR STRANDED /Sectoral câblé /SM	SECTOR SOLID /Sectoral câblé /SE	ROUND STRANDED /Rond câblé /RM	SECTOR STRANDED /Sectoral câblé /SM
CONDUCTOR CROSS-SECTION /Section conducteur /Querschnittsbereich mm ²	70-240	95-300	95-150 (185 with rounding)	95-150 (185 with 90°)	70-240	95-150 (185 with rounding)
CONDUCTOR DIAMETER /Diamètre conducteur /Leiterdurchmesser mm	Ø 9.3-Ø 19.2	Ø 10.5-Ø 19	-	-	Ø 9.3-Ø 19.2	-

BSM-95/240-U	4-1200402-6	E96021-000
DESCRIPTION	PN	RPN

THIS DRAWING IS A CONTROLLED DOCUMENT.
 CE PLAN EST UN DOCUMENT CONTROLE PAR AMP INCORPORATED.
 IL EST SUSCEPTIBLE D'ETRE REVISE. CONTACTER LE SERVICE
 TECHNIQUE D'AMP DE FRANCE POUR OBTENIR LA DERNIERE REVISION.

DWN/DESSINE: 17JUL2001
 J. BERLAND
 CHK/VERIFIE: -
 N. EVANS
 APVD/APPROUVE: -
 N. ALMEIDA
 PRODUCT SPEC SPEC. PRODUIT: -
 APPLICATION SPEC SPEC. APPLICATION: IEC 61238

STE TE Connectivity

NAME TITRE: -
 BSM-95/240
 BSM-95/240-U

SIZE FORMAT: A3
 CAGE CODE: -
 DRAWING NO No PLAN: C-1510480
 RESTRICTED TO RESERVE A: -

MATERIAL MATIERE: AL ALLOY
 FINISH FINITION: TINNED
 WEIGHT MASSE APPROX.: 250g

CUSTOMER DRAWING /PLAN CLIENT
 UNIQUEMENT POUR REFERENCE
 SCALE ECHELLE: |
 SHEET FEUILLE | OF DE | REV C