

THIS DRAWING IS UNPUBLISHED.  
DIFFUSION RESTREINTE

RELEASED FOR PUBLICATION  
LIBRE A LA DIFFUSION

© COPYRIGHT 20

ALL RIGHTS RESERVED.  
TOUS DROITS RESERVES

LOC  
FH

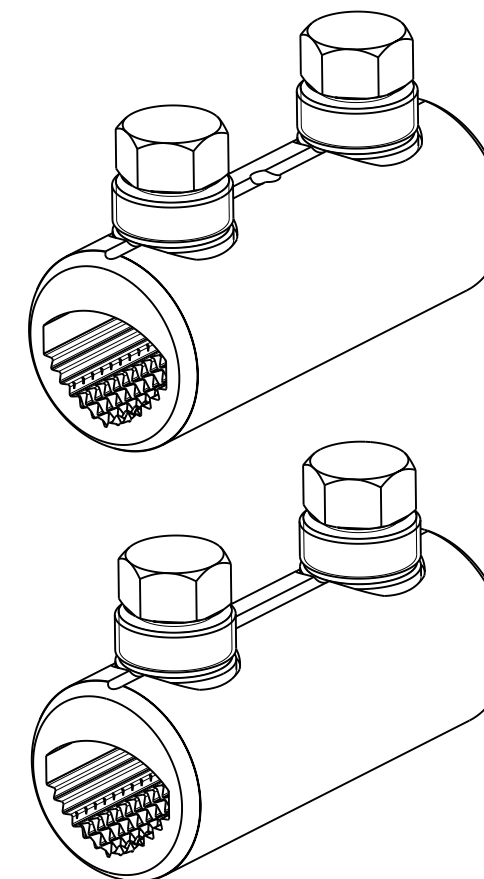
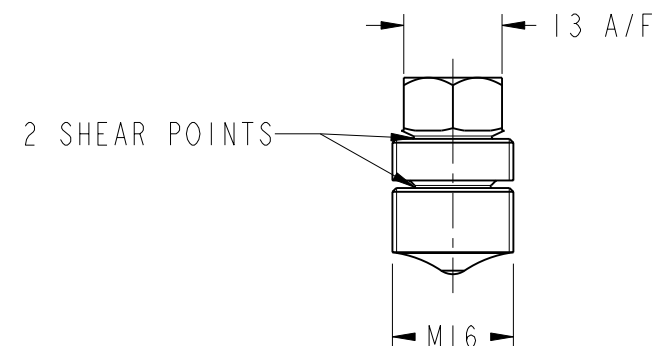
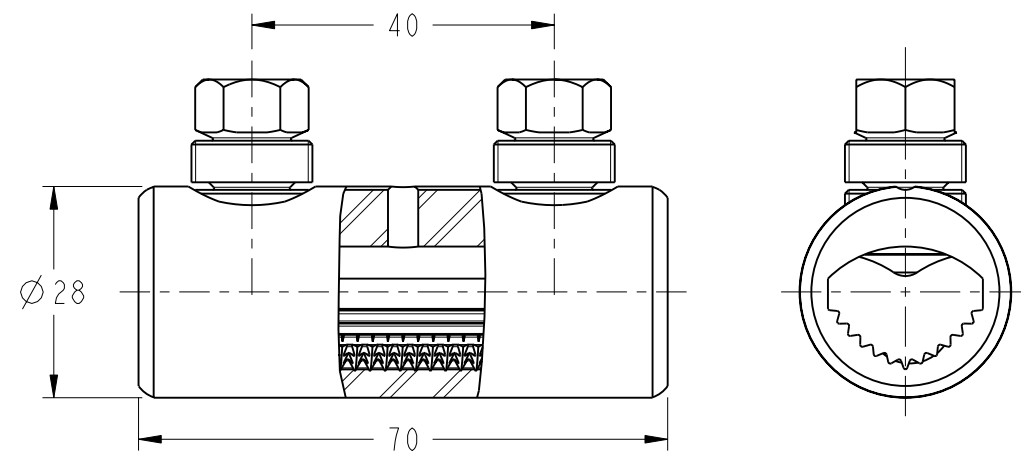
DIST  
2

REVISIONS

P	LTR REV	DESCRIPTION MODIFICATIONS	DATE	DWN DESS.	APVD APP.
	A	CREATION	03SEP2010	BM	NA
	B	CORRECT PRODUCT DESCRIPTION ERROR	08OCT2010	BM	NA
	C	ADD PRODUCT WITH REMOVABLE BOLTS	11MAY2012	BM	NA

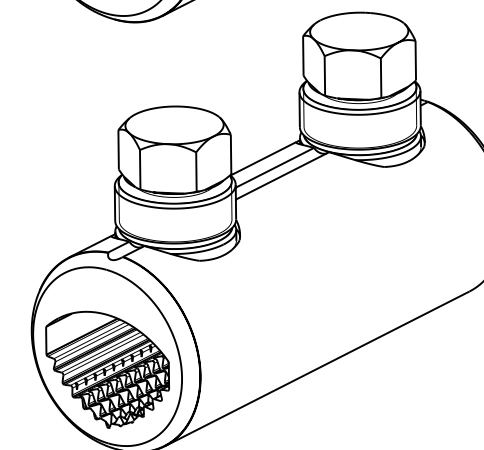
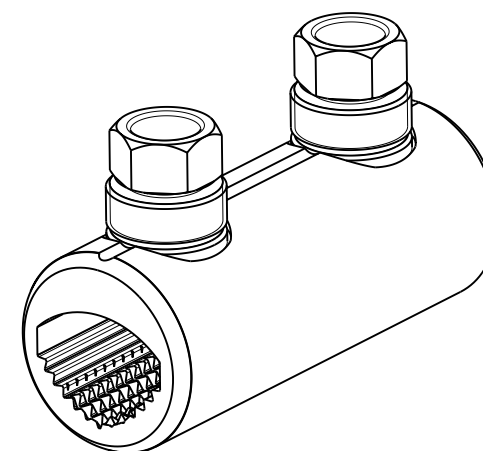
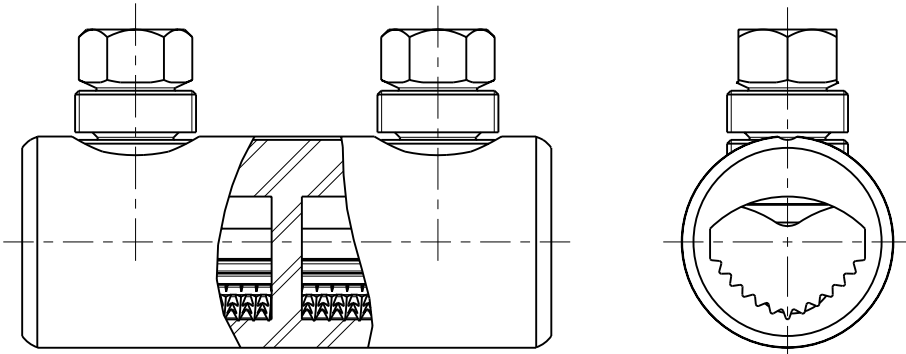
OHNE TRENNSTEG / UNBLOCKED VERSION :

BSLU-25/150 SU-AS	CP6539-000	UNBLOCKED	NATURAL
DESCRIPTION	RPN	TYPE	FINISH
BSLU-25/150 S-AS	CP6538-000	UNBLOCKED	TINNED
DESCRIPTION	RPN	TYPE	FINISH



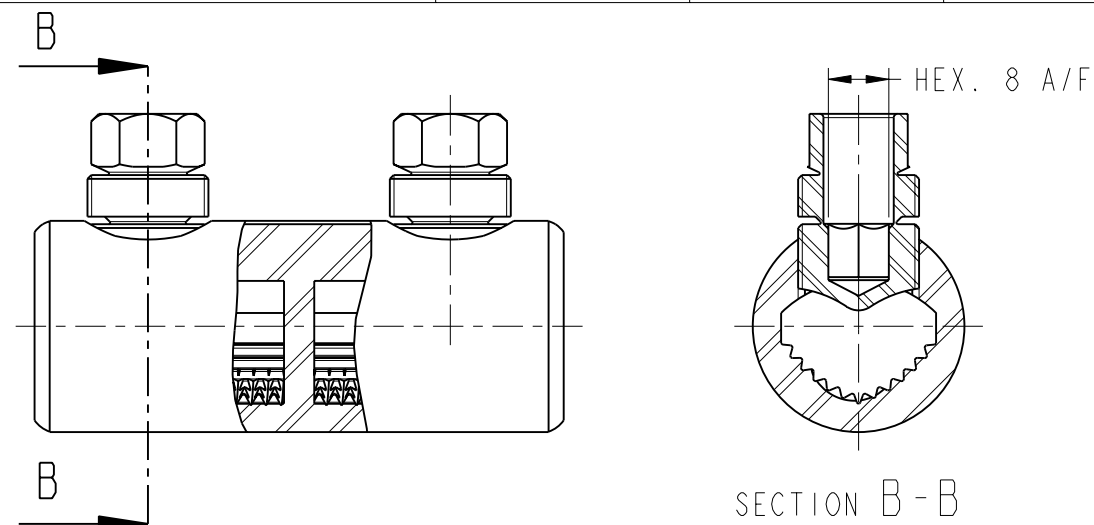
MIT TRENNSTEG / BLOCKED VERSION :

BSLB-25/150 S-AS	CP6537-000	BLOCKED	TINNED
DESCRIPTION	RPN	TYPE	FINISH



BLOCKED VERSION WITH REMOVABLE BOLTS:

BSLB-25/150 S-AS-REM	CX9161-000	BLOCKED	TINNED
DESCRIPTION	RPN	TYPE	FINISH



	AL				CU
	ROUND STRANDED /Rond câblé /RM	ROUND SOLID /Rond solide /RE	SECTOR STRANDED /Sectoral câblé /SM	SECTOR SOLID /Sectoral câblé /SE	SECTOR STRANDED /Sectoral câblé /SM
CONDUCTOR CROSS-SECTION /Section conducteur /Querschnittsbereich mm <sup>2</sup>	25-95	25-95	25-150	25-150	25-150
CONDUCTOR DIAMETER /Diamètre conducteur /Leiterdurchmesser mm	Ø5.7-Ø12.5	Ø5.5-Ø11	-	-	-

TOLERANCES UNLESS  
OTHERWISE SPECIFIED  
TOLERANCES NON SPECIFIEES: -

THIS DRAWING IS A CONTROLLED DOCUMENT.  
CE PLAN EST UN DOCUMENT CONTROLE PAR TYCO ELECTRONICS CORPORATION  
IL EST SUSCEPTIBLE D'ETRE REVISE. POUR OBTENIR LA DERNIERE REVISION,  
CONTACTER LE SERVICE TECHNIQUE DE TYCO ELECTRONICS SIMEL SAS,  
21220 GEVREY-CHAMBERTIN, FRANCE.

DIMENSIONS: mm	TOLERANCES UNLESS OTHERWISE SPECIFIED: TOLERANCES NON SPECIFIEES: (SUIV NB DE DECIMALES): 0 PLC/DEC: ±0 1 PLC/DEC: ±0 2 PLC/DEC: ±0 3 PLC/DEC: ±0 4 PLC/DEC: ±0 ANGLES ±
MATERIAL MATIERE	AL ALLOY
FINISH FINITION	SEE TABLE

DWN/DESSINE	03SEP2010
CHK/VERIFIE	B. MILLOT
APVD/APPROUVE	M. DOLLING
PRODUCT SPEC SPEC. PRODUIT	N. ALMEIDA
APPLICATION SPEC SPEC. APPLICATION	
WEIGHT MASSE APPROX.	130 g

<b>STE</b> TE Connectivity	
NAME TITRE	BSLB-25/150 S-AS BSLU-25/150 S-AS BSLU-25/150 SU-AS BSLB-25/150 S-AS-REM
SIZE FORMAT	A3
CAGE CODE	-
DRAWING NO No PLAN	C=2107388
RESTRICTED TO RESERVE A	-

CUSTOMER DRAWING /PLAN CLIENT	UNIQUEMENT POUR REFERENCE	SCALE ECHELLE	SHEET FEUILLE	OF DE	REV C
-------------------------------	------------------------------	------------------	------------------	----------	----------