

4

3

2

1

THIS DRAWING IS UNPUBLISHED.
DIFFUSION RESTREINTE

RELEASED FOR PUBLICATION
LIBRE A LA DIFFUSION

2011

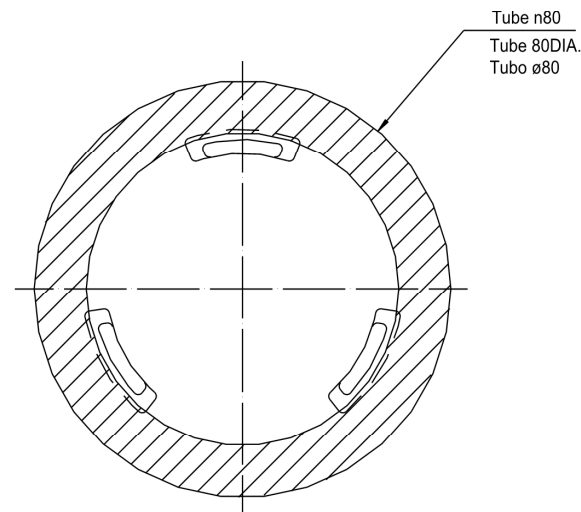
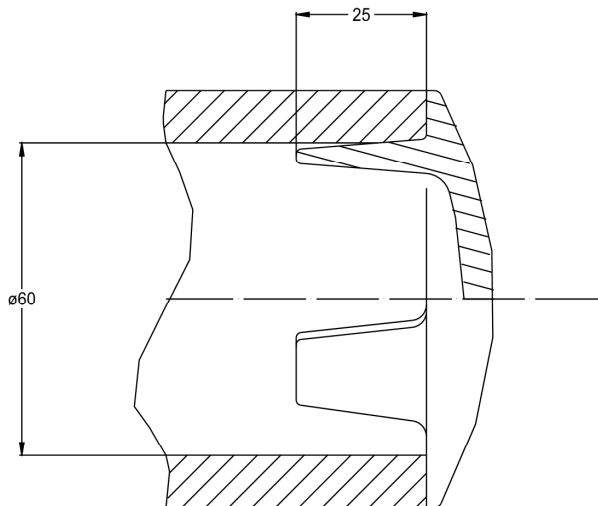
© COPYRIGHT 2011 by Tyco Electronics Corporation


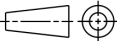
ALL RIGHTS RESERVED.
TOUS DROITS RESERVES

LOC - DIST -

REVISIONS

P	LTR REV	DESCRIPTION MODIFICATIONS	DATE	DWN DESS	APVD APPR
	A	CREATION	25-Nov-15	JPM	-



THIS DRAWING IS A CONTROLLED DOCUMENT. <small>CE PLAN EST UN DOCUMENT CONTROLE PAR TYCO ELECTRONICS CORPORATION & EST SUSCEPTIBLE D'ETRE REVISE. POUR OBTENIR LA DERNIERE VERSION, CONTACTER LE SERVICE TECHNIQUE DE TYCO ELECTRONICS SIMEL SAS, 15320 SILVY, CHAMBERTIN, FRANCE.</small>		DWN /DESSINE MOYEUX	25-Nov-15	 TE connectivity SIMEL PRODUCTS	
DIMENSIONS: mm		CHK/VERIFIE -	APVD /APPROUE -		
		TOLERANCES UNLESS OTHERWISE SPECIFIED PER TOLERANCES NON SPECIFIEES SELON : -		PRODUCT SPEC SPEC. PRODUIT -	SIZE FORMAT A3
MATERIAL MATIERE -		FINISH FINITION -		APPLICATION SPEC SPEC. APPLICATION -	
ITEM:		WEIGHT MASSE APPROX. 0.11 kg		DRAWING NO No PLAN 2298183	RESTRICTED TO RESERVE A -
CUSTOMER DRAWING /PLAN CLIENT			UNIQUEMENT POUR REFERENCE	SCALE ECHELLE 1/1	SHEET FEUILLE 1 OF DE 1
					REV A