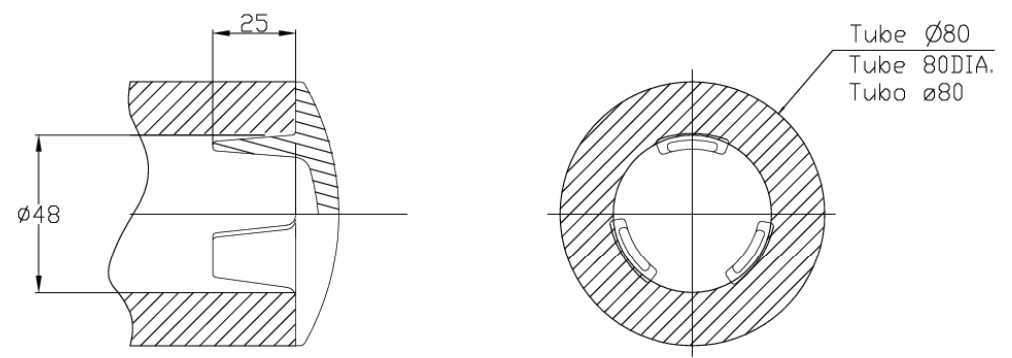


4 | 3 | 2 | 1

THIS DRAWING IS UNPUBLISHED. RELEASED FOR PUBLICATION
 © COPYRIGHT - By - ALL RIGHTS RESERVED.

REVISIONS				
P	LTR	DESCRIPTION	DATE	APVD
A		CREATION	15JUN2021	RS CG



D
C
B
A

D
C
B
A

ITEM:.....

THIS DRAWING IS A CONTROLLED DOCUMENT.		DWN RAVI.S	15JUN2021	STE TE Connectivity	
DIMENSIONS: mm		CHK M.PREVOT	15JUN2021		
TOLERANCES UNLESS OTHERWISE SPECIFIED:		APVD C.GLOMMEAU	15JUN2021	NAME BAE 8 T48/80	
0 PLC ± -		PRODUCT SPEC		SIZE	CAGE CODE
1 PLC ± -		APPLICATION SPEC		DRAWING NO	RESTRICTED TO
2 PLC ± -		APPROX.WEIGHT 0.12 kg		A3	00779
3 PLC ± -		CUSTOMER DRAWING		C=2393802	SCALE 1:3
4 PLC ± -		FINISH		SHEET 1 of 1	REV A
ANGLES ± -					