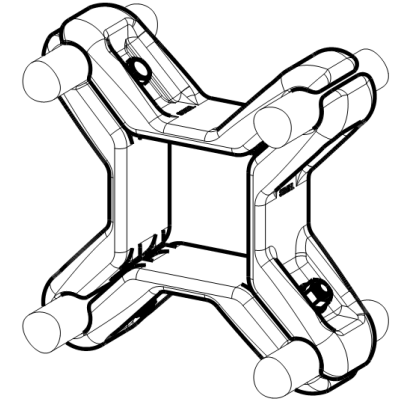
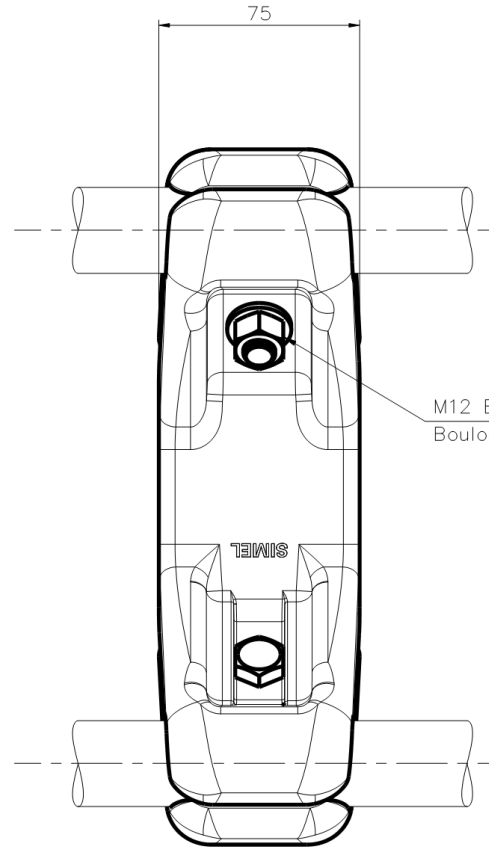
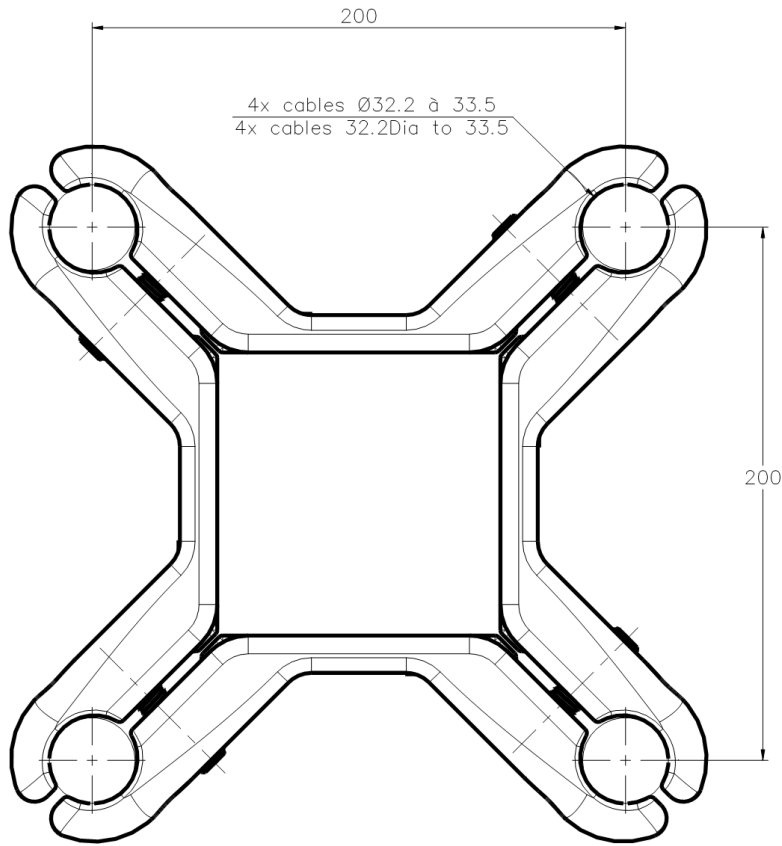


REVISIONS

P	LTR	DESCRIPTION	DATE	DWN	APVD
A		CREATION	03-Oct-17	JG	—



No scale
Sans échelle

THIS DRAWING IS A CONTROLLED DOCUMENT.		DWN GODARD	030CT2017	STE TE Connectivity													
DIMENSIONS: mm		CHK —	APVD —			NAME QUAD SPACER ENTRETOISE QUADRUPLE											
TOLERANCES UNLESS OTHERWISE SPECIFIED:		PRODUCT SPEC 02BFC0041		APPLICATION SPEC													
<table border="1"> <tr><td>0 PLC</td><td>± -</td></tr> <tr><td>1 PLC</td><td>± -</td></tr> <tr><td>2 PLC</td><td>± -</td></tr> <tr><td>3 PLC</td><td>± -</td></tr> <tr><td>4 PLC</td><td>± -</td></tr> <tr><td>ANGLES</td><td>± -</td></tr> </table>		0 PLC	± -	1 PLC	± -	2 PLC	± -	3 PLC	± -	4 PLC	± -	ANGLES	± -	APPROX. WEIGHT 3.86 kg		SIZE A3	RESTRICTED TO —
0 PLC	± -																
1 PLC	± -																
2 PLC	± -																
3 PLC	± -																
4 PLC	± -																
ANGLES	± -																
MATERIAL —		FINISH —		DRAWING NO C=2325715													
CUSTOMER DRAWING				SCALE 1:2	SHEET 1 OF 1												
				REV A													

ITEM: 4.3