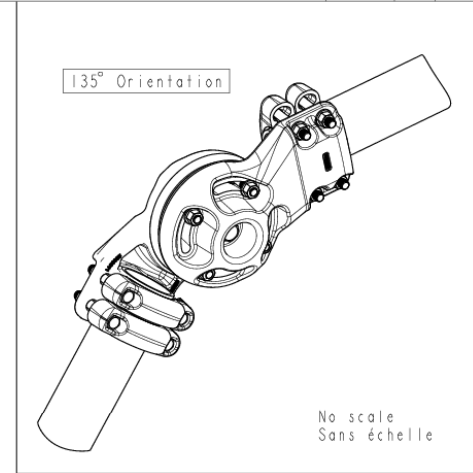
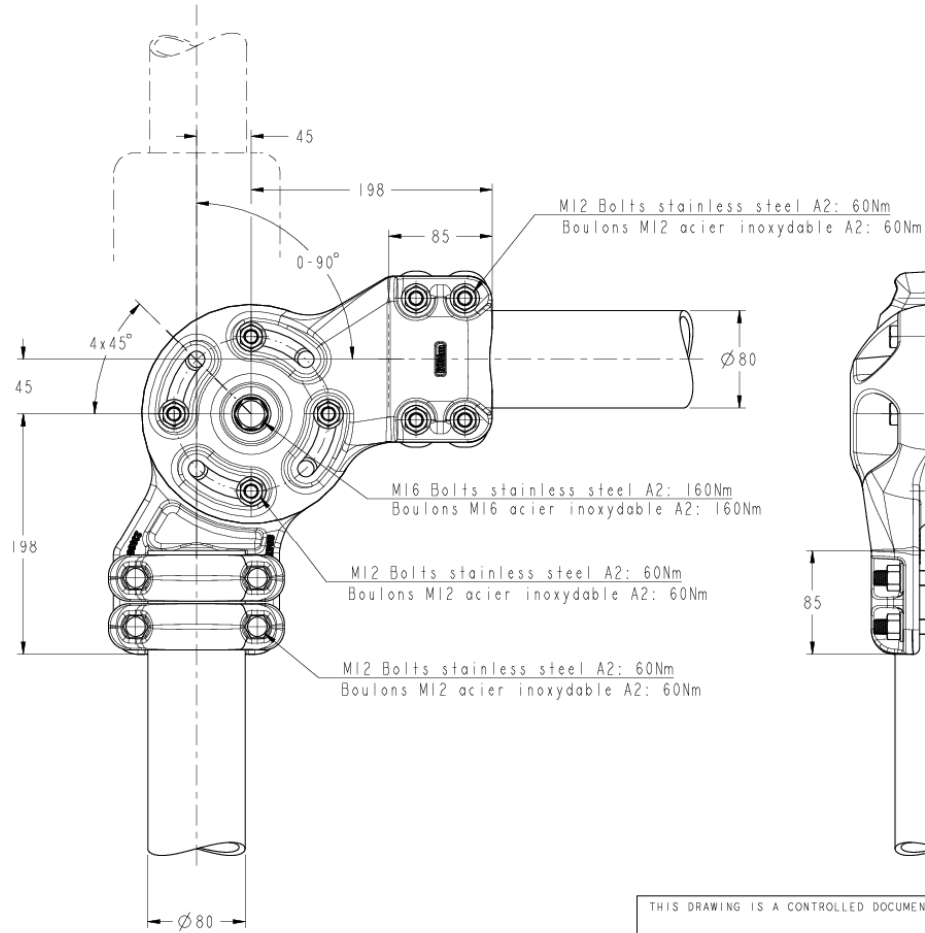


REVISIONS					
P	LTR	DESCRIPTION	DATE	DWN	APVD
A		CREATION	15JUN2021	RS	CG



THIS DRAWING IS A CONTROLLED DOCUMENT.		DWN RAVI S	15JUN2021	STE TE Connectivity
		CHK M. PREVOT	15JUN2021	
		APVD C. GLOMMEAU	15JUN2021	NAME ADJUSTABLE ELBOW COUDE ORIENTABLE 5 UATFR80/R80 5B
		PRODUCT SPEC 108-69086	APPLICATION SPEC	
DIMENSIONS: mm		TOLERANCES UNLESS OTHERWISE SPECIFIED:		SIZE CAGE CODE DRAWING NO
		0 PLC ± 1 PLC ±0.1 2 PLC ±0.01 3 PLC ±0.001 4 PLC ±0.0001 ANGLES ±		RESTRICTED TO
MATERIAL		FINISH		WEIGHT 10.14 kg
				A3 00779 C=2393817
CUSTOMER DRAWING			SCALE 5:1	SHEET 1 OF 1 REV A