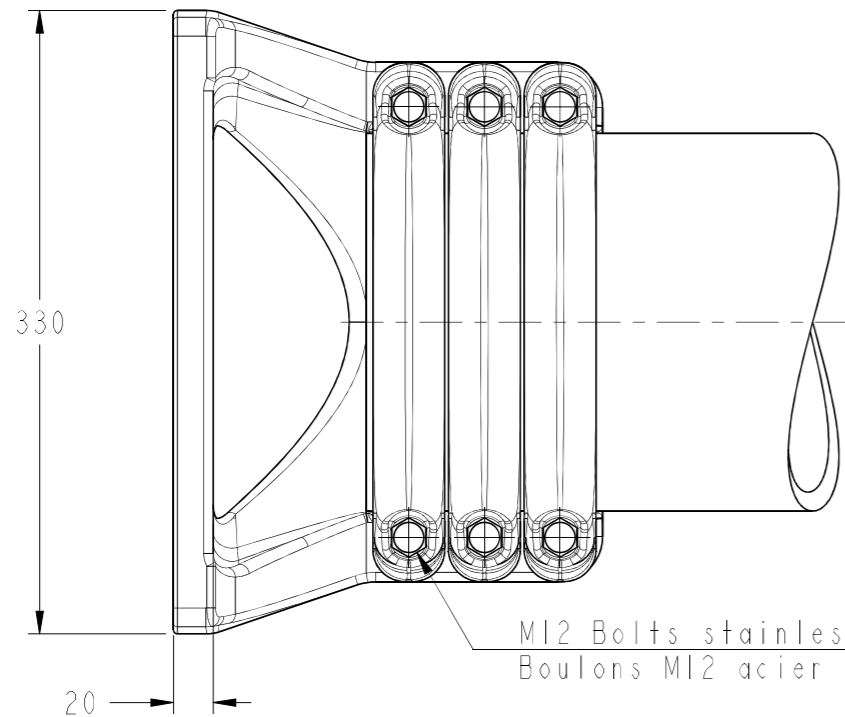
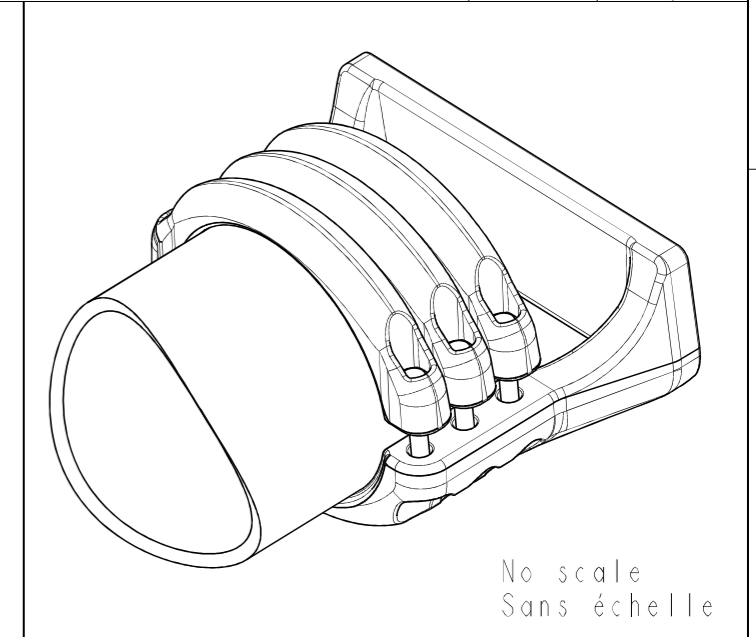
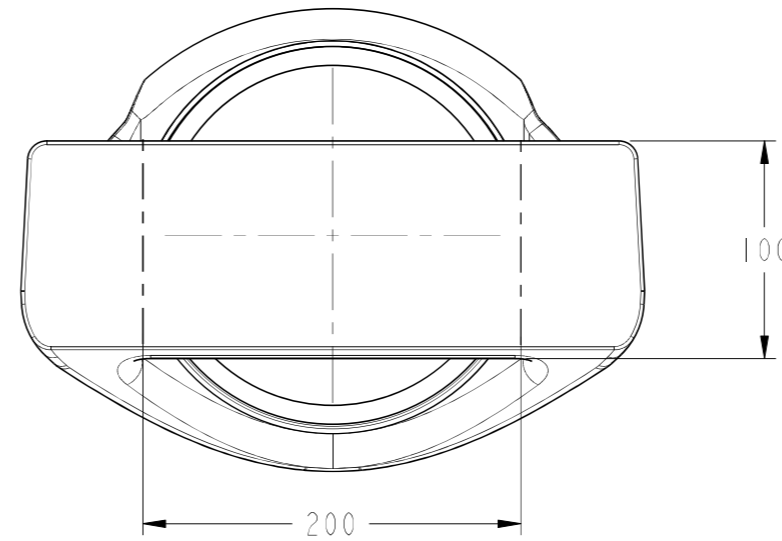
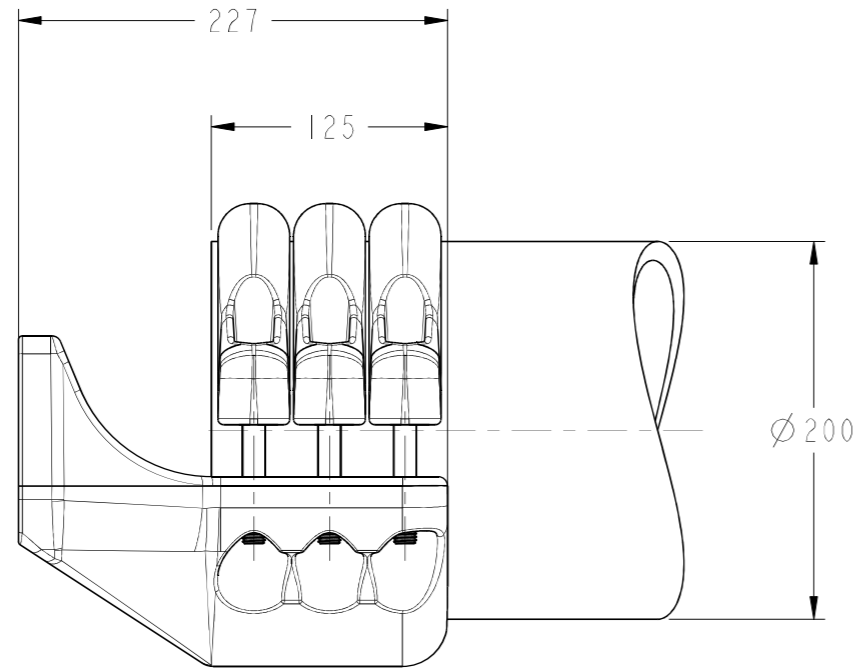


P	LTR	DESCRIPTION	DATE	DWN	APVD
	A	CREATION	08SEP2023	RS	CG



M12 Bolts stainless steel A2: 60Nm
Boulons M12 acier inoxydable A2: 60Nm

THIS DRAWING IS A CONTROLLED DOCUMENT.		DWN	RAVI.S	08SEP2023			
DIMENSIONS:		CHK	M.PREVOT	08SEP2023			
mm		APVD	C.GLOMMEAU	08SEP2023			
		PRODUCT SPEC	108-69090-001	NAME			AXIAL PAD BUSBAR CONNECTOR RACCORD A PLAGE AXIALE POUR TUBE 5 TTPH 82 TR200 100X200
TOLERANCES UNLESS OTHERWISE SPECIFIED:		APPLICATION SPEC	-		SIZE	A3	
0 PLC	±-	WEIGHT	8.9 kg	CAGE CODE	00779	DRAWING NO	2473961
1 PLC	±-	CUSTOMER DRAWING		RESTRICTED TO	-		
2 PLC	±-	SCALE	1:4	SHEET	1	OF	1
3 PLC	±-			REV	A		
4 PLC	±-						
ANGLES	±-						
MATERIAL	-						
FINISH	-						