

4

3

2

1

THIS DRAWING IS UNPUBLISHED.
DIFFUSION RESTREINTE

RELEASED FOR PUBLICATION
LIBRE A LA DIFFUSION

2011

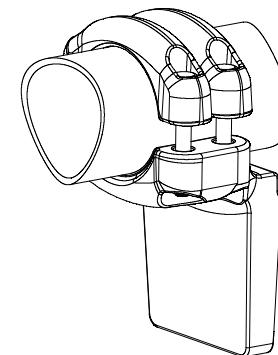
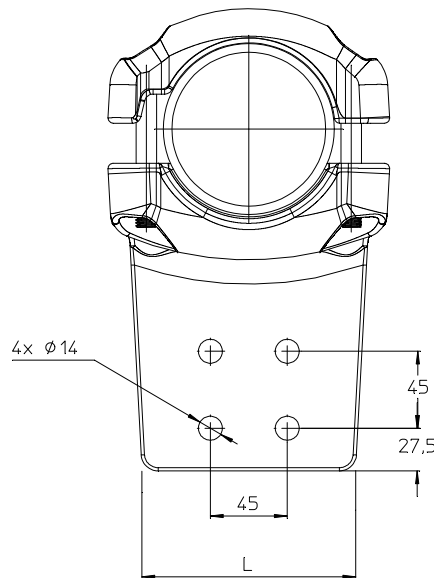
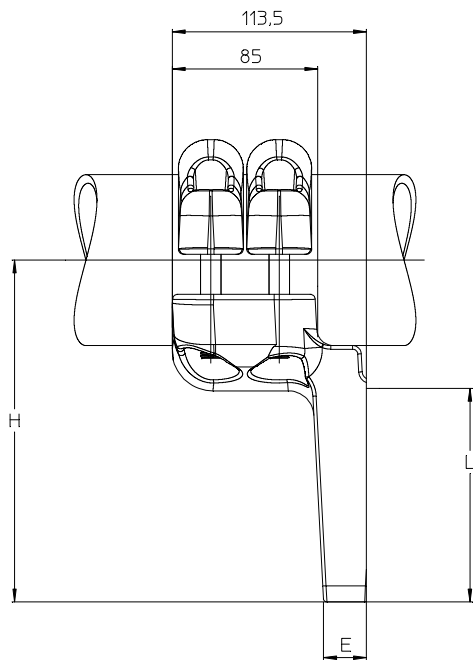
© COPYRIGHT 2011

by Tyco Electronics Corporation

ALL RIGHTS RESERVED.
TOUS DROITS RESERVES

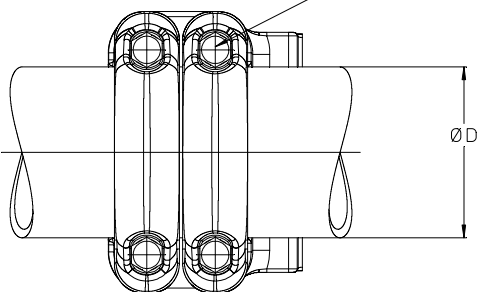
LOC	DIST
-	-

P		LTR	REV	DESCRIPTION	MODIFICATIONS	DATE	DWN	DESS	APVD	APPR
1				CREATION		22-Oct-14	GL		-	



No scale
Sans échelle

Bolts / Boulons M12: 60Nm



ØD	80
E	25
H	200
L	100

THIS DRAWING IS A CONTROLLED DOCUMENT. <small>LE PLAN EST UN DOCUMENT CONTRÔLÉ PAR TYCO ELECTRONICS CORPORATION IL EST SUSCEPTIBLE D'ÊTRE REVISÉ POUR OBTENIR LA DERNIÈRE RÉVISION CONTACTER LE SERVICE TECHNIQUE DE TYCO ELECTRONICS SNE, SAS, 4200 LEVENEY/CHAMBERTIN, FRANCE.</small>		DWN /DESSINE LAFORGE	22-Oct-14
DIMENSIONS: mm		CHK/VERIFIE	-
TOLERANCES UNLESS OTHERWISE SPECIFIED PER TOLERANCES NON SPECIFIEES SELON :-		APVD/APPROUVE	-
MATERIAL MATIERE		FINISH FINITION	-
APPROX. WEIGHT MASSE APPROX.		3.55 kg	
CUSTOMER DRAWING /PLAN CLIENT		UNIQUEMENT POUR REFERENCE	SCALE ECHELLE 1/3
SHEET FEUILLE 1		OF DE 1	REV 1

CONNECTOR - RACCORD	
CONNECTOR MATERIAL - MATIERE RACCORD	Al
BOLT - VISSERIE	Stainless Steel - Inox
VOLTAGE - TENSION	420 kV
RATED CURRENT - In	3150 A
SHORT TIME CURRENT - Icc	40 kA/3s - 63 kA/1s

PROJECT - PROJET	
VOLTAGE - TENSION	
CUSTOMER - CLIENT	

FIXATION:



NAME /TITRE
90° PALM CONNECTOR FOR Ø80 TUBE
RACCORD PLAGE EQUERRE POUR TUBE Ø80
5 TTPE 82 T80 100 C241

SIZE FORMAT A3	CAGE CODE 00779	DRAWING NO No PLAN C=2839083	RESTRICTED TO RESERVE A -
-------------------	--------------------	------------------------------------	---------------------------------

ITEM: