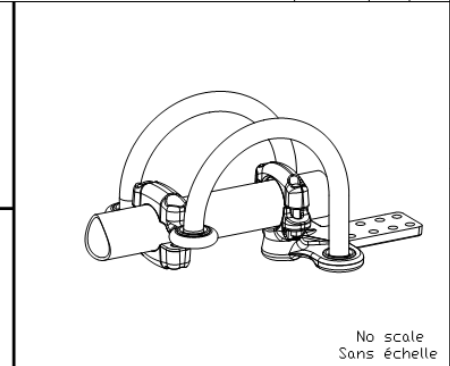
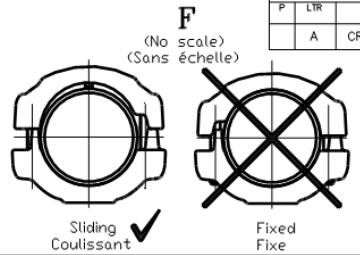
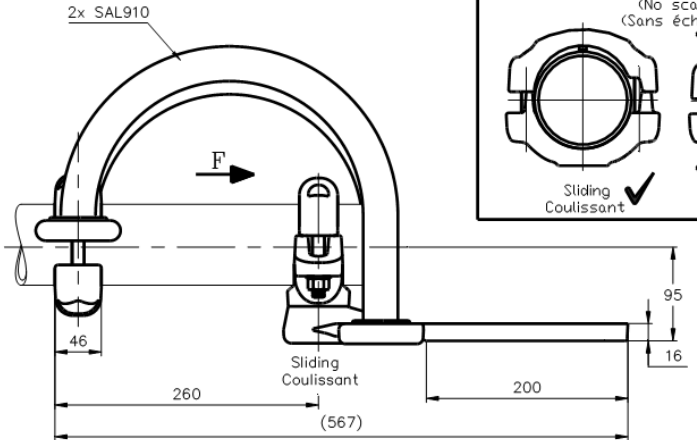
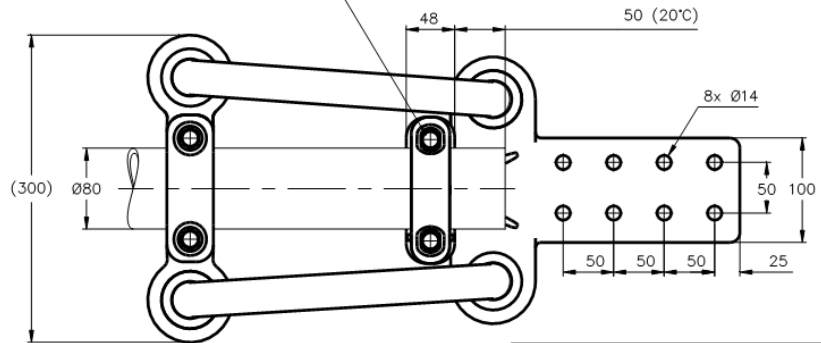


REVISIONS

P	LTR	DESCRIPTION	DATE	DWN	APVD
A	CREATION		15DEC2020	GL	—



M12 Stainless steel bolts: 60Nm
Boulons M12 acier inoxydable: 60Nm



THIS DRAWING IS A CONTROLLED DOCUMENT.

DIMENSIONS:	TOLERANCES UNLESS OTHERWISE SPECIFIED:
mm	0 PLC ± -
	1 PLC ± -
	2 PLC ± -
	3 PLC ± -
	4 PLC ± -
	ANGLES ± -
MATERIAL	FINISH
-	-

DWN: LAFORGE	15DEC2020	STE TE Connectivity	
CHK: -	-	NAME: EXPANSION TERMINAL FOR PAD	
APVD: -	-	TERMINAISON A DILATATION A PLAGE	
PRODUCT SPEC: 108-69090-001	-	5 TTPDL 82 T80 200X100 R154 29	
APPLICATION SPEC: -	-	SIZE: A3	CAGE CODE: 00779
WEIGHT: 7.3kg	-	DRAWING NO: C=2384286	RESTRICTED TO: -
CUSTOMER DRAWING	SCALE: 1:4	SHEET: 1 of 1	REV: A