

4

3

2

1

THIS DRAWING IS UNPUBLISHED.
DIFFUSION RESTREINTE

RELEASED FOR PUBLICATION
LIBRE A LA DIFFUSION

2011

© COPYRIGHT 2011

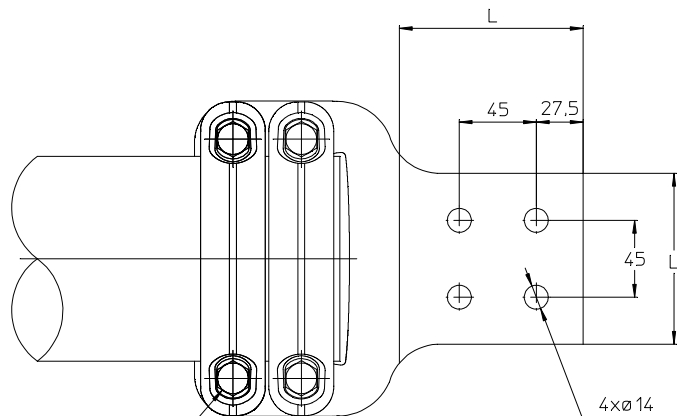
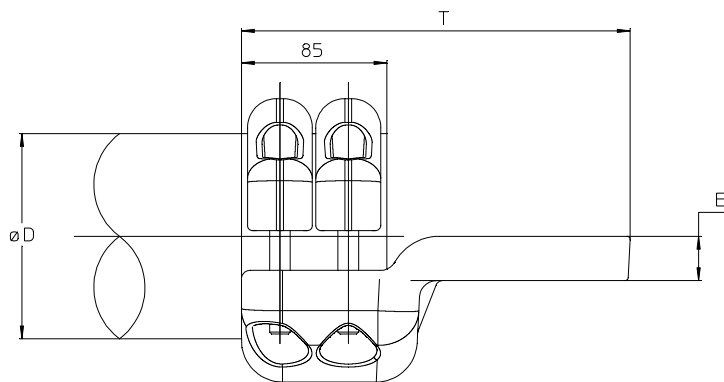
by Tyco Electronics Corporation

ALL RIGHTS RESERVED.
TOUS DROITS RESERVES

LOC	DIST
-	-

REVISIONS

P	LTR REV	DESCRIPTION MODIFICATIONS	DATE	DWN DESS	APVD APPR
1		CREATION	22-Oct-14	GL	-




Bolts/Boulons M12: 60Nm

E	16
T	230
L	100
øD	80

CONNECTOR - RACCORD	
CONNECTOR MATERIAL - MATIERE RACCORD	Al
BOLT - VISSERIE	Stainless Steel - Inox
VOLTAGE - TENSION	420 kV
RATED CURRENT - In	2000 A
SHORT TIME CURRENT - Icc	40 kA/3s - 63 kA/1s

PROJECT - PROJET	
VOLTAGE - TENSION	
CUSTOMER - CLIENT	

FIXATION:

THIS DRAWING IS A CONTROLLED DOCUMENT. <small>LE PLAN EST UN DOCUMENT CONTROLÉ PAR TYCO ELECTRONICS CORPORATION IL EST SUSCEPTIBLE D'ÊTRE REVISÉ POUR OBTENIR LA DERNIÈRE RÉVISION. CONTACTER LE SERVICE TECHNIQUE DE TYCO ELECTRONICS SNE, SAS, 4220 LEVREY-CHAMBERTIN, FRANCE.</small>		DWN /DESSINE 22-Oct-14 LAFORGE	 TE connectivity SIMEL PRODUCTS	
DIMENSIONS: mm		CHK/VERIFIE -		
TOLERANCES UNLESS OTHERWISE SPECIFIED PER TOLERANCES NON SPECIFIEES SELON :-		APVD/APPROUVE -	NAME /TITRE STRAIGHT TERMINAL PAD COSSE AXIALE 5 TTPA 82 T80 100 C241	
MATERIAL /MATIERE -		FINISH /FINITION -	SIZE /FORMAT A3	CAGE CODE /No PLAN 00779
WEIGHT /MASSE APPROX. 2 Kg		DRAWING NO /No PLAN C=2839087		RESTRICTED TO /RESERVE A -
CUSTOMER DRAWING /PLAN CLIENT		UNIQUEMENT /POUR REFERENCE	SCALE /ECHELLE 1/3	SHEET /FEUILLE 1 OF /DE 1 REV 1

ITEM: