

4

3

2

1

THIS DRAWING IS UNPUBLISHED.

RELEASED FOR PUBLICATION

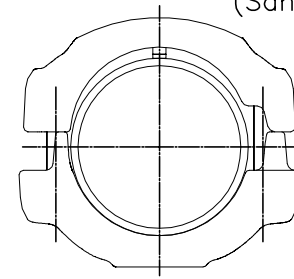
ALL RIGHTS RESERVED.

© COPYRIGHT - By -

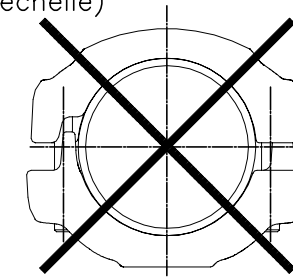
REVISIONS

P	LTR	DESCRIPTION	DATE	DWN	APVD
A		CREATION	09-JUL-20	BH	-

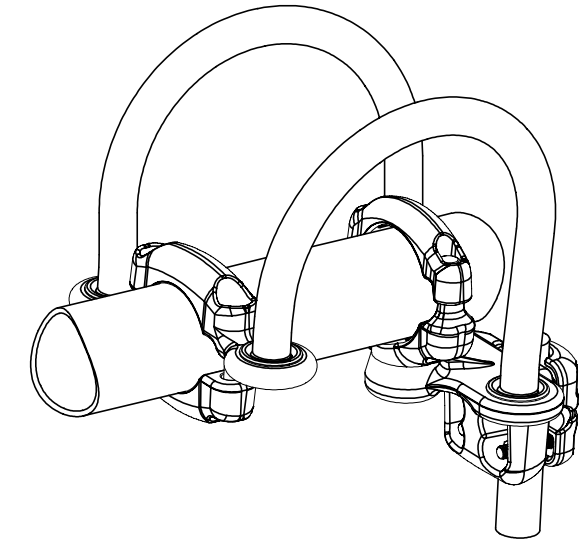
(No scale)  
(Sans échelle)



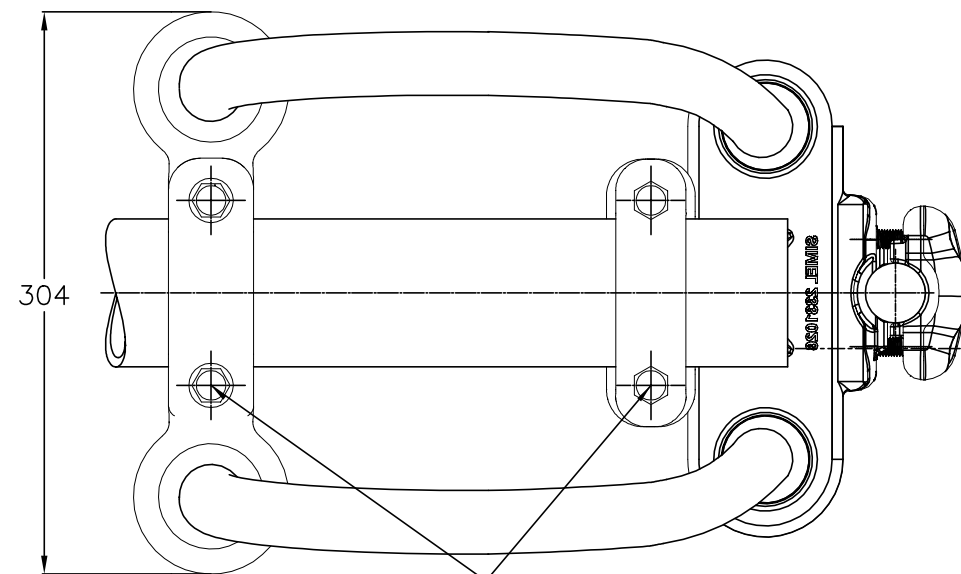
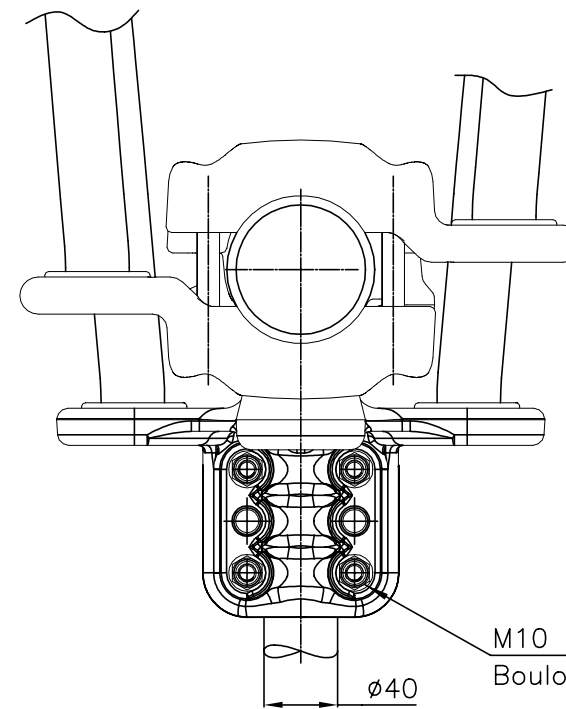
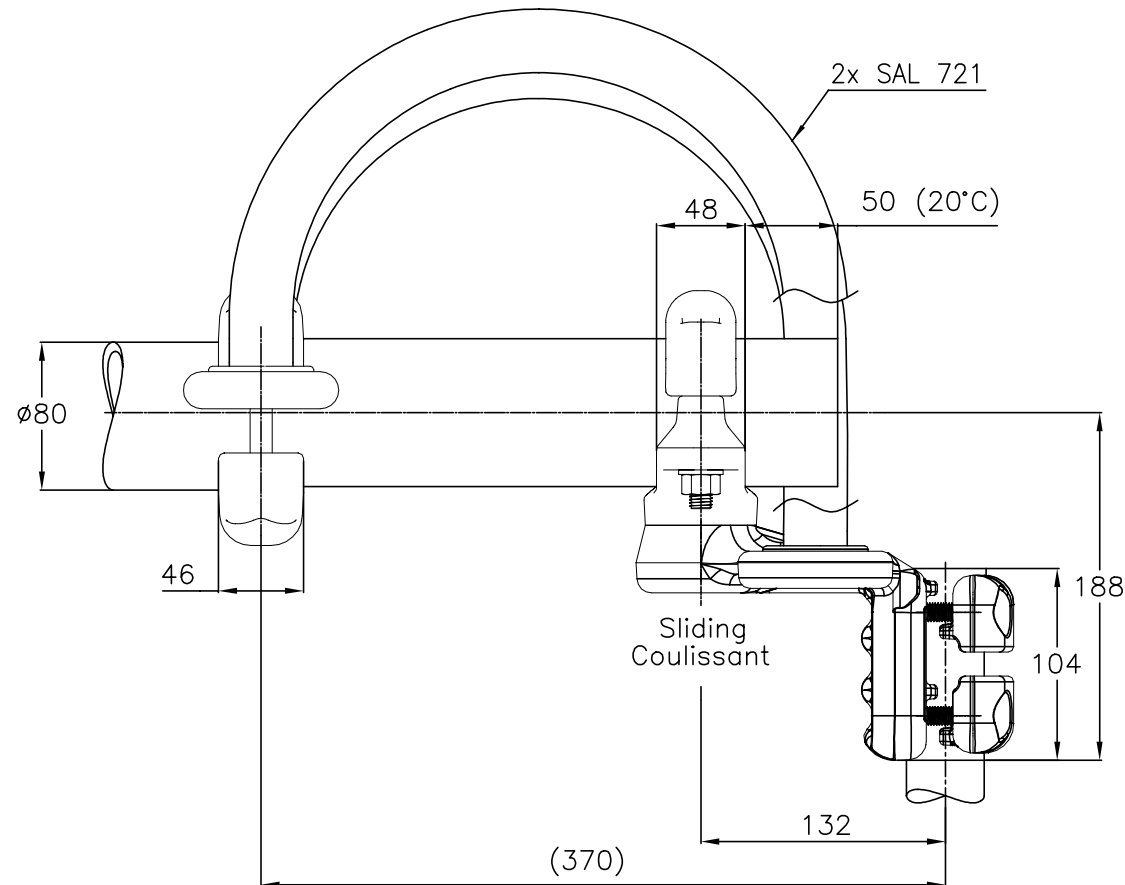
Sliding  
Coulissant ✓



Fixed  
Fixe



No scale  
Sans échelle



ITEM:.....

THIS DRAWING IS A CONTROLLED DOCUMENT.		DWN HUARD 09-Jul-20	<b>TE</b> TE Connectivity				
DIMENSIONS: mm		CHK -					
TOLERANCES UNLESS OTHERWISE SPECIFIED:		APVD -	NAME EXPANSION CONNECTOR TO VERTICAL STUD RACCORD A DILATATION SUR BORNE VERTICALE 5 TTFL 82 T80 M405 27				
0 PLC ± -		PRODUCT SPEC 108-69090-001					
1 PLC ± -		APPLICATION SPEC	SIZE	CAGE CODE	DRAWING NO	RESTRICTED TO	
2 PLC ± -			A3	00779	C=2376851	-	
3 PLC ± -			CUSTOMER DRAWING		SCALE 1/4	SHEET 1 of 1	REV A
4 PLC ± -			WEIGHT 8.1 kg				
ANGLES ± -							
FINISH -							