

4

3

2

1

THIS DRAWING IS UNPUBLISHED.

RELEASED FOR PUBLICATION

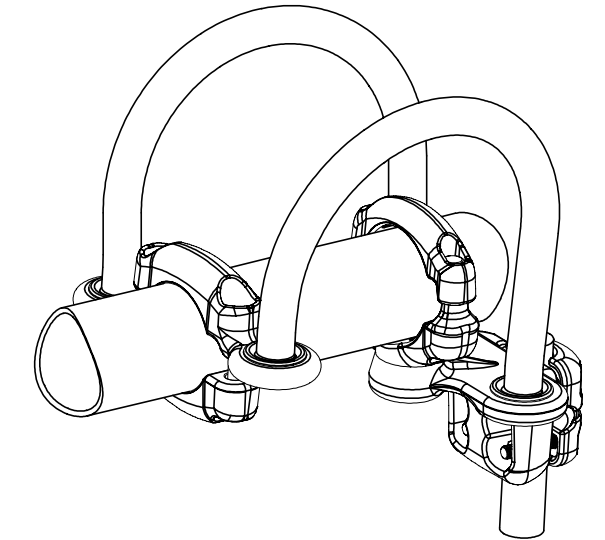
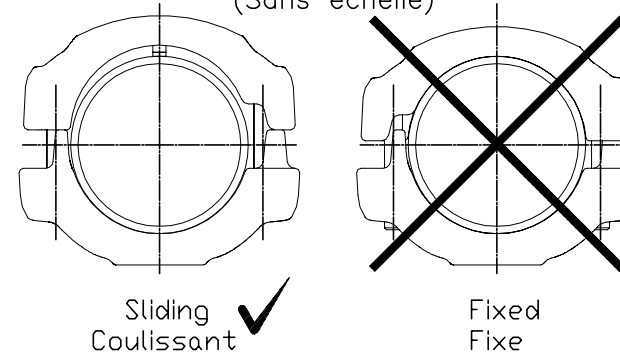
ALL RIGHTS RESERVED.

© COPYRIGHT - By -

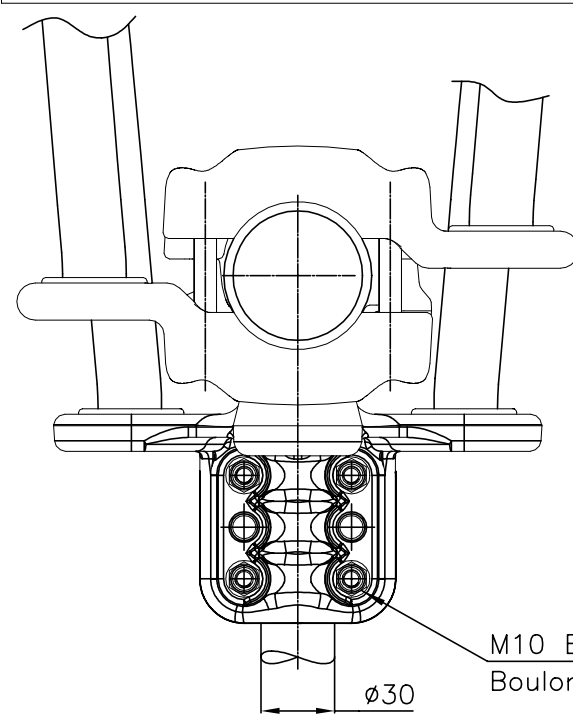
REVISIONS

P	LTR	DESCRIPTION	DATE	DWN	APVD
A		CREATION	09-JUL-20	BH	-

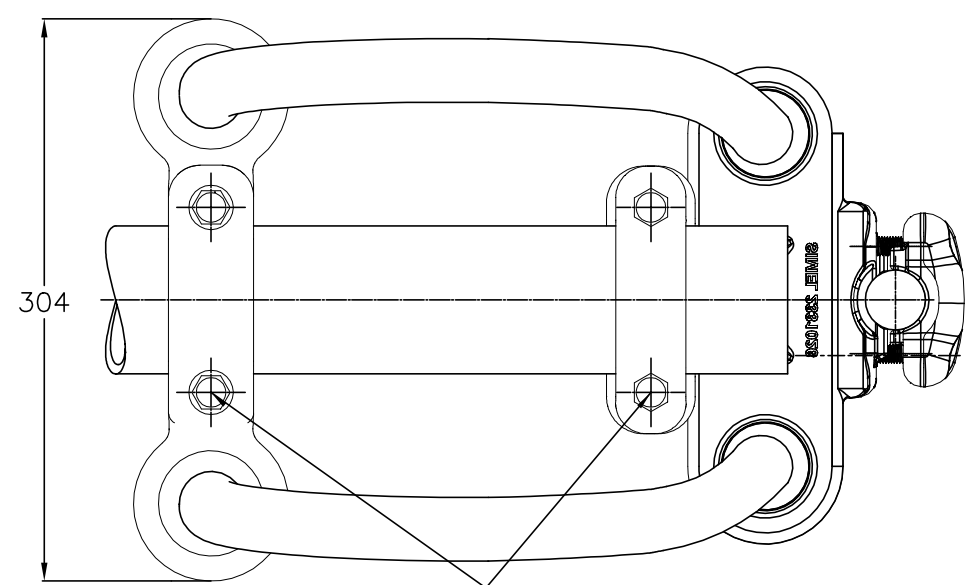
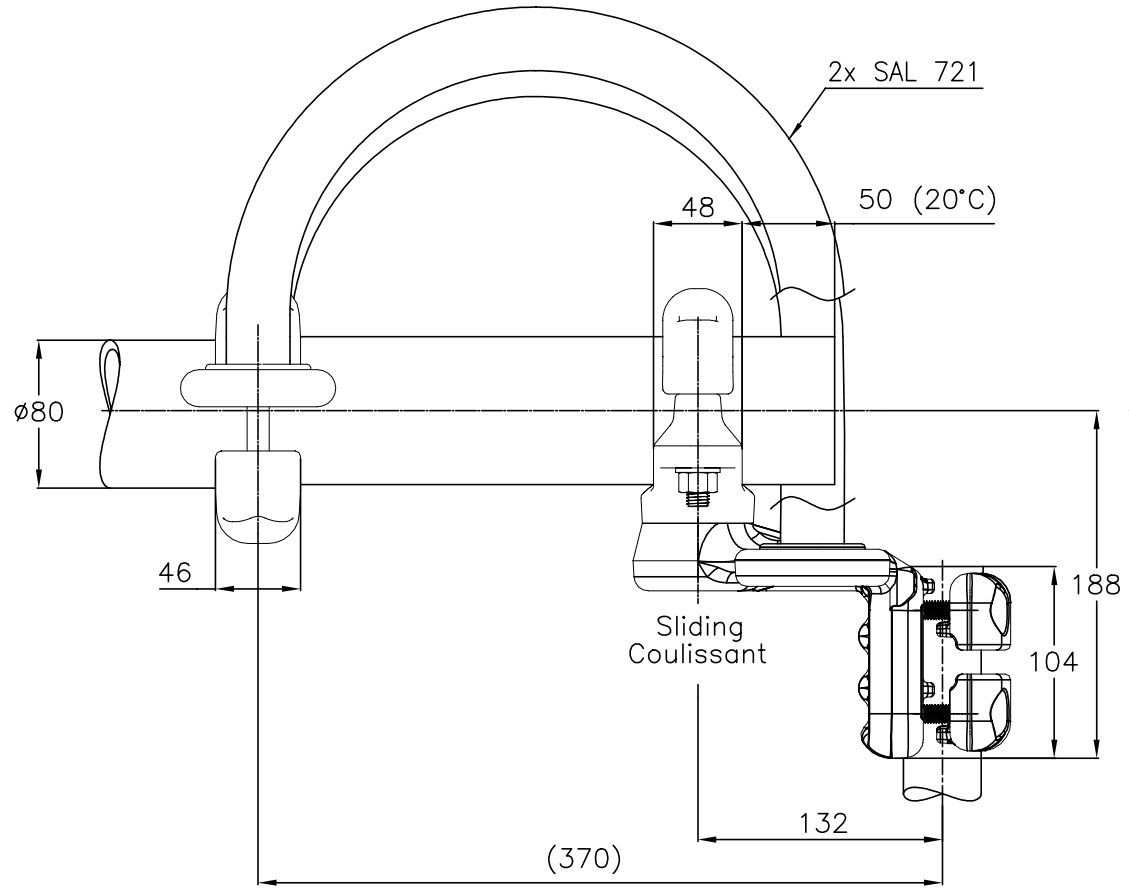
(No scale) (Sans échelle)



No scale Sans échelle



M10 Bolts stainless steel A2: 37Nm
Boulons M10 acier inoxydable A2: 37Nm



M12 Bolts stainless steel A2: 60Nm
Boulons M12 acier inoxydable A2: 60Nm

ITEM:.....

THIS DRAWING IS A CONTROLLED DOCUMENT.		DWN HUARD 09-Jul-20					
DIMENSIONS: mm		CHK -					
TOLERANCES UNLESS OTHERWISE SPECIFIED:		APVD -	NAME EXPANSION CONNECTOR TO VERTICAL STUD RACCORD A DILATATION SUR BORNE VERTICALE 5 TTBL 82 T80 M305 27				
0 PLC ± - 1 PLC ± - 2 PLC ± - 3 PLC ± - 4 PLC ± - ANGLES ± -		PRODUCT SPEC 108-69090-001					
MATERIAL -		FINISH -	APPLICATION SPEC -	SIZE A3	CAGE CODE 00779	DRAWING NO C=2376852	RESTRICTED TO -
		WEIGHT 8.1 kg	CUSTOMER DRAWING		SCALE 1/4	SHEET 1 of 1	REV A