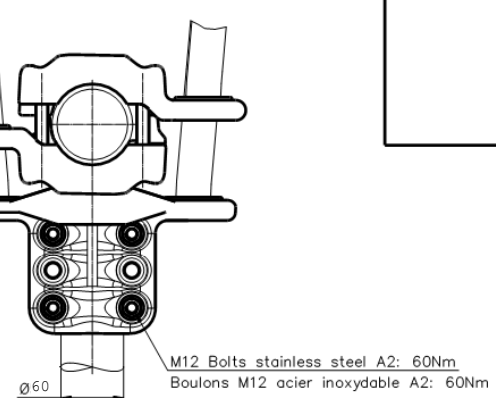
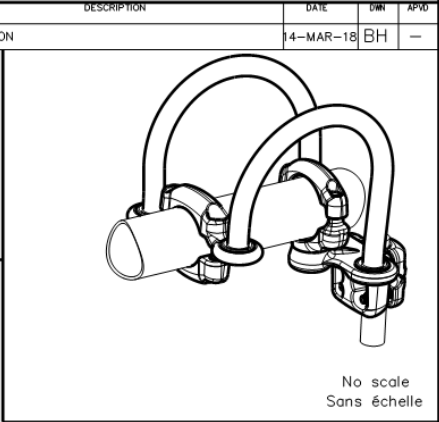
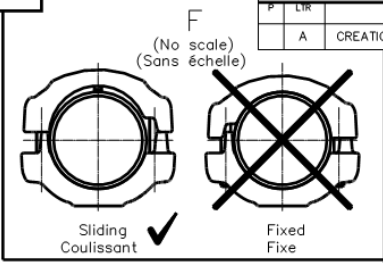
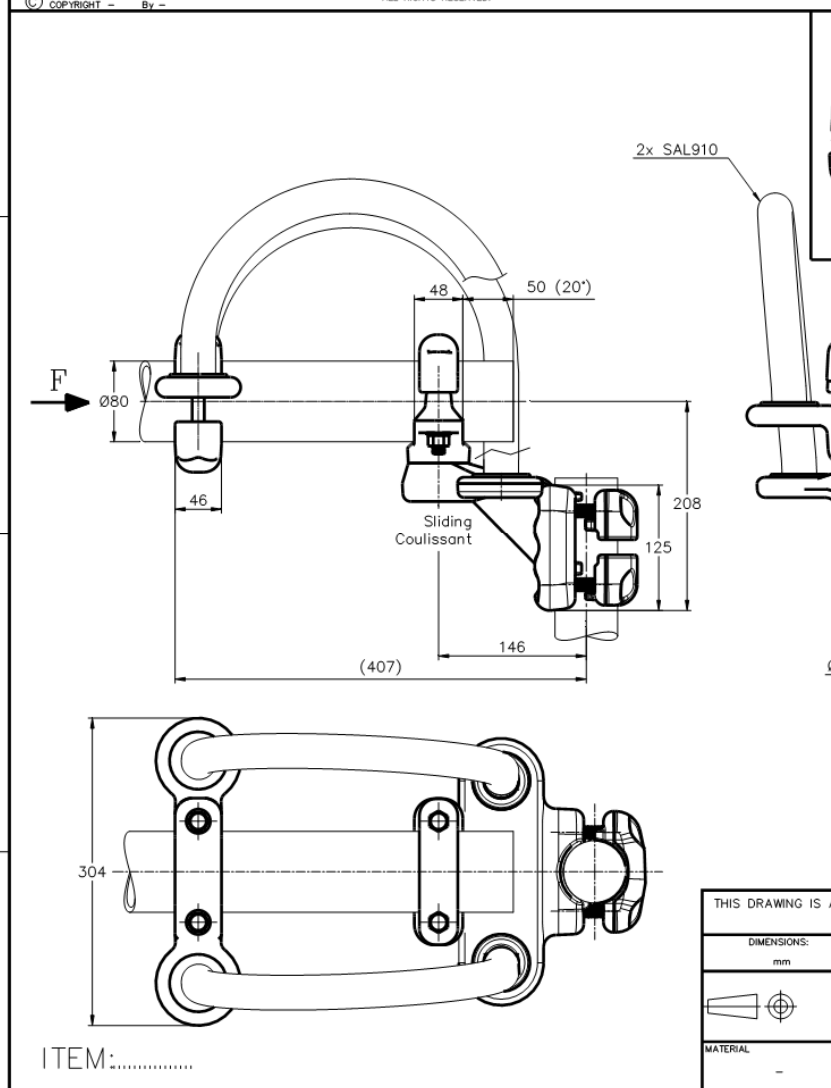


THIS DRAWING IS UNPUBLISHED. RELEASED FOR PUBLICATION. ALL RIGHTS RESERVED.

REVISIONS					
P	LTR	DESCRIPTION	DATE	DWI	APVD
A	CREATION		14-MAR-18	BH	-



ITEM:

THIS DRAWING IS A CONTROLLED DOCUMENT.		DWI HUARD	14-MAR-18	TE Connectivity	
DIMENSIONS: mm		CHK -	APVD -	NAME	
TOLERANCES UNLESS OTHERWISE SPECIFIED:		PRODUCT SPEC		EXPANSION CONNECTOR TO VERTICAL STUD	
Ø PLC ± -	1 PLC ± -	108-69096-001		RACCORD A DILATION SUR BORNE VERTICALE	
2 PLC ± -	3 PLC ± -	APPLICATION SPEC		5 TBFL 82 T80 I605 29	
4 PLC ± -	ANGLES ± -	APPROX. WEIGHT 9.25 kg		SIZE A3	CAGE CODE 00779
MATERIAL -	FINISH -	CUSTOMER DRAWING		DRAWING NO. C=2333229	RESTRICTED TO -
				SCALE 1:4	SHEET 1 OF 1
				REV A	