

4

3

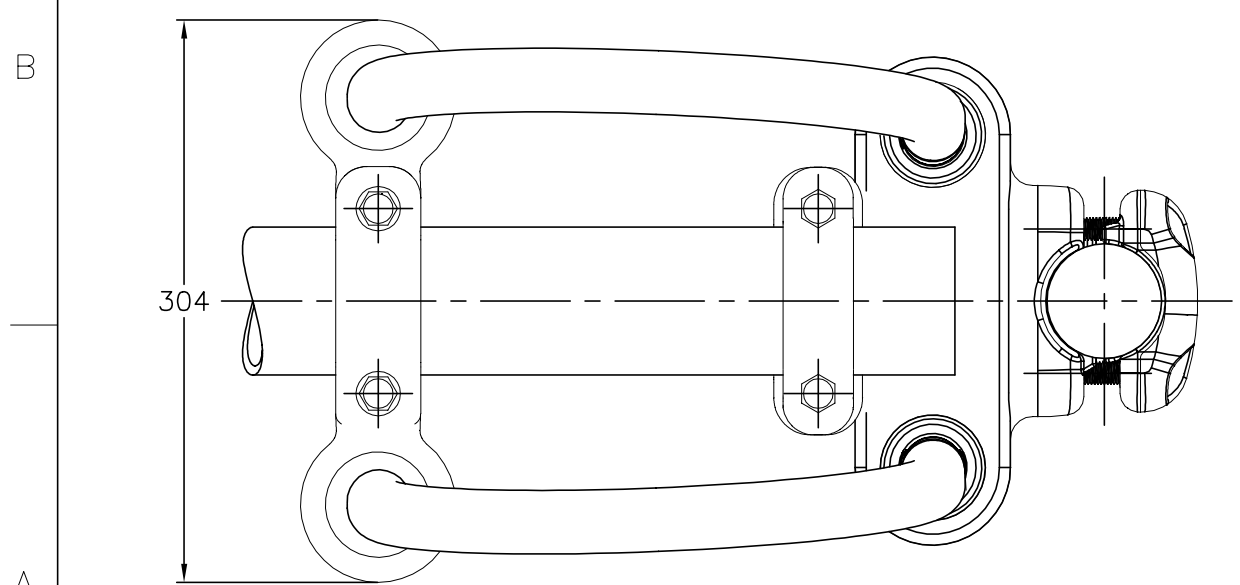
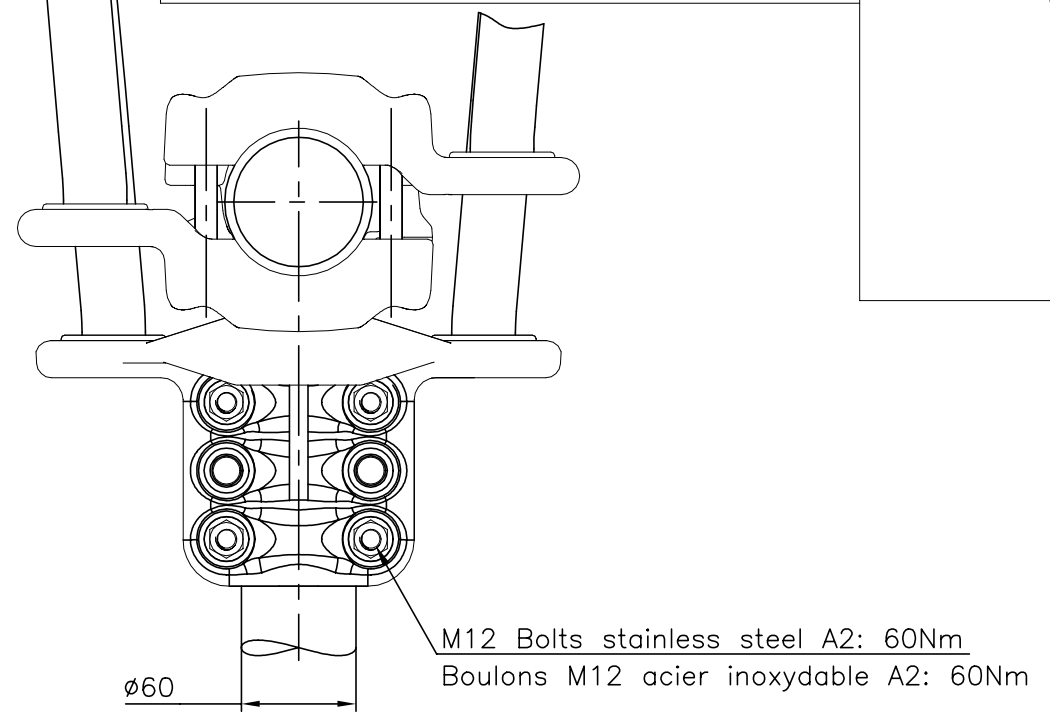
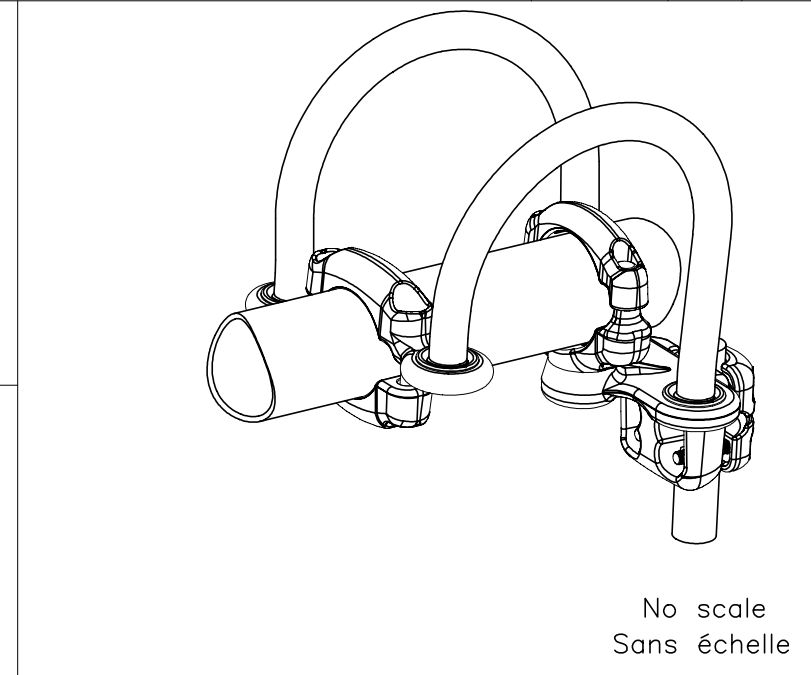
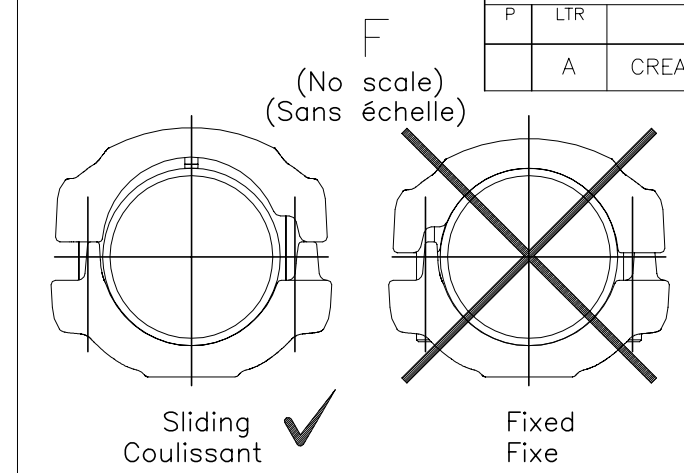
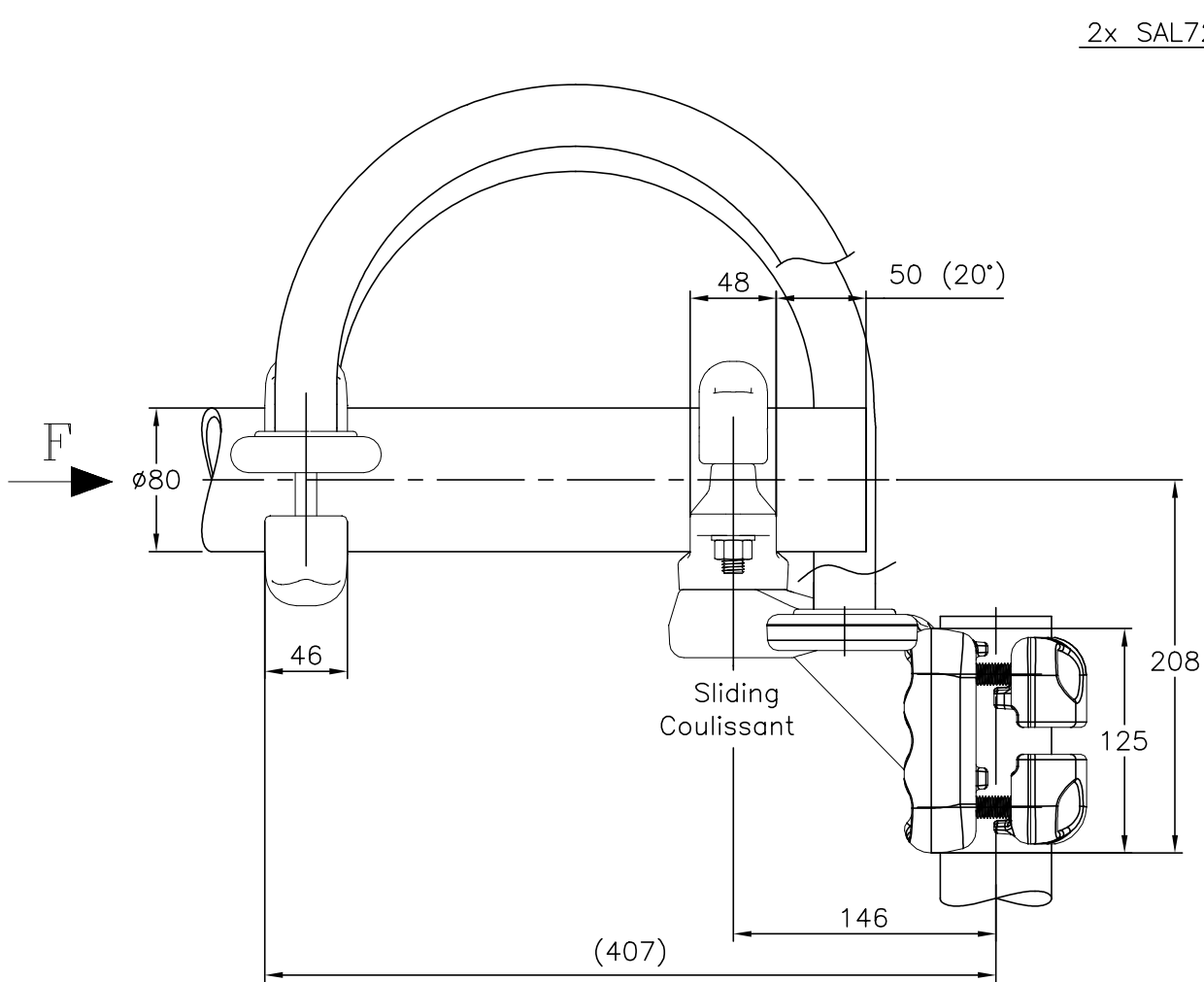
2

1

© - TE Connectivity. All Rights Reserved.

REVISIONS

P	LTR	DESCRIPTION	DATE	DWN	APVD
A		CREATION	09-JUL-20	BH	-



ITEM:.....

THIS DRAWING IS A CONTROLLED DOCUMENT.		DWN HUARD 09-Jul-20	TE TE Connectivity	
DIMENSIONS: mm		CHK -		
TOLERANCES UNLESS OTHERWISE SPECIFIED:		APVD -	NAME EXPANSION CONNECTOR TO VERTICAL STUD RACCORD A DILATATION SUR BORNE VERTICALE 5 TTBFL 82 T80 L605 27	
0 PLC ± -		PRODUCT SPEC 108-69096-001	SIZE CAGE CODE DRAWING NO RESTRICTED TO	
1 PLC ± -		APPLICATION SPEC -	A3 00779 C-2376850	
2 PLC ± -		WEIGHT 9.25kg	SCALE 1:4 SHEET 1 OF 1 REV A	
3 PLC ± -		CUSTOMER DRAWING		
4 PLC ± -				
ANGLES ± -				
FINISH -				