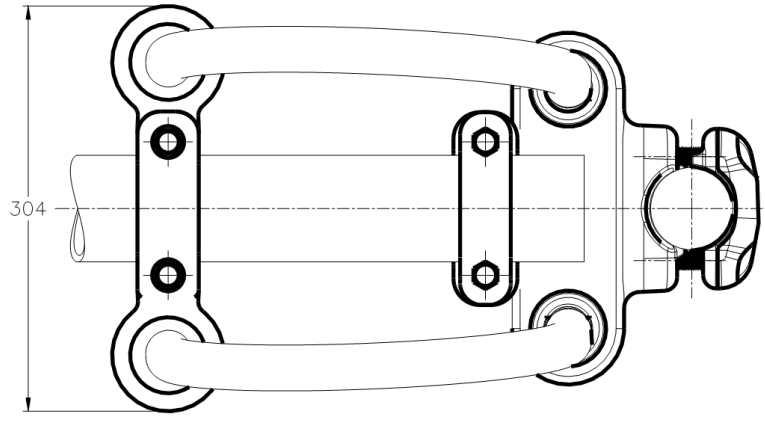
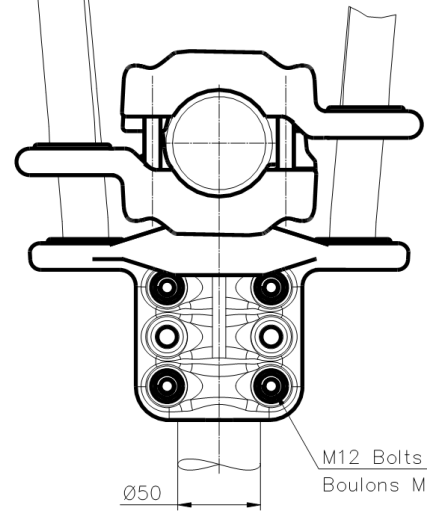
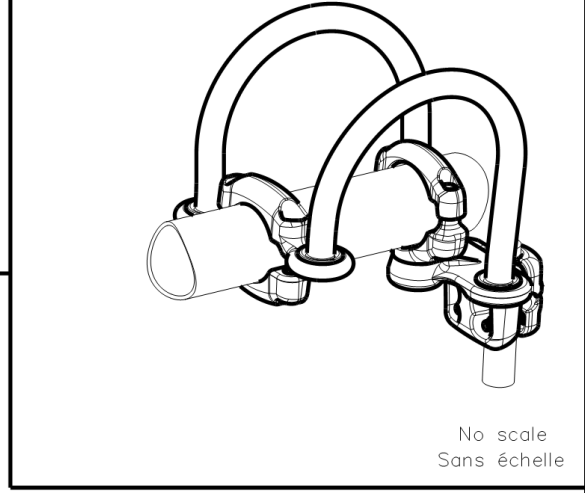
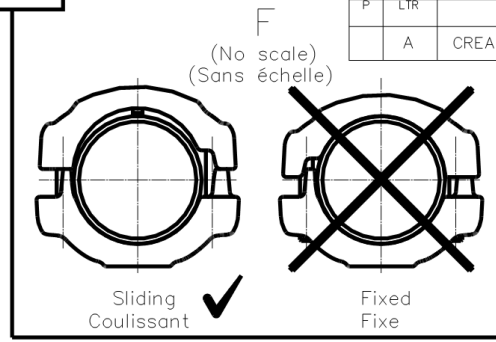
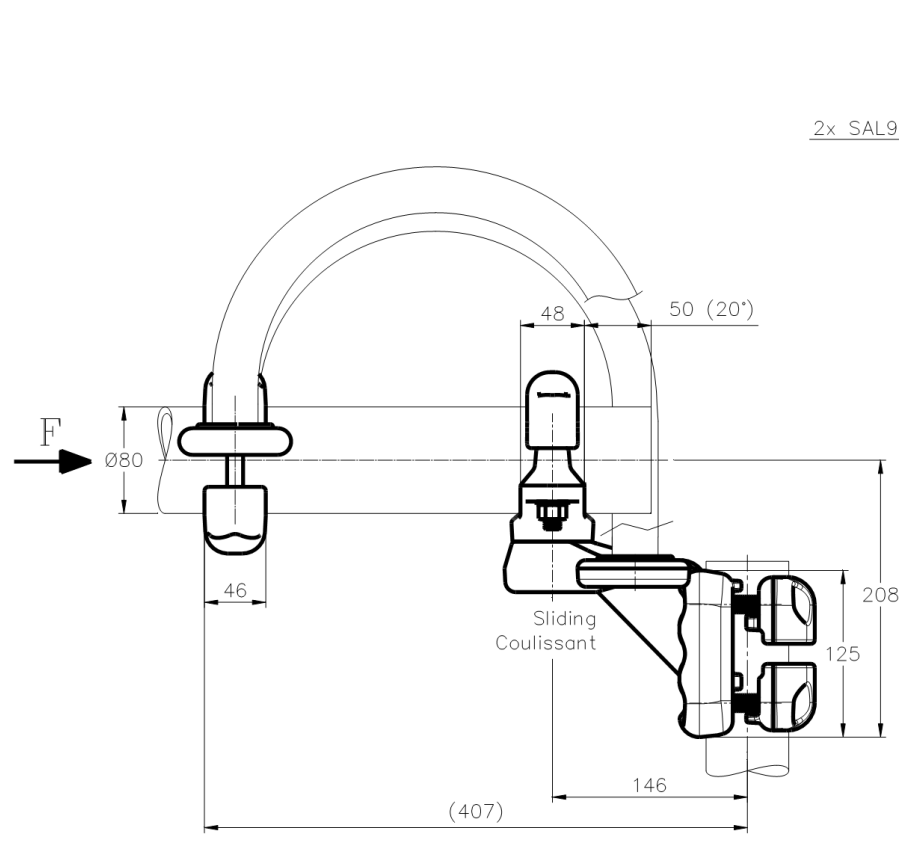


THIS DRAWING IS UNPUBLISHED. RELEASED FOR PUBLICATION  
 (C) COPYRIGHT - By - ALL RIGHTS RESERVED.

REVISIONS

P	LTR	DESCRIPTION	DATE	DWN	APVD
A	CREATION		14-MAR-18	BH	-



ITEM: 5

THIS DRAWING IS A CONTROLLED DOCUMENT.		DWN HUARD 14-MAR-18	<b>STE</b> TE Connectivity																			
DIMENSIONS: mm		CHK -			NAME EXPANSION CONNECTOR TO VERTICAL STUD RACCORD A DILATATION SUR BORNE VERTICALE																	
TOLERANCES UNLESS OTHERWISE SPECIFIED:		APVD -	5 TTBFLL 82 T80 L505 29																			
<table border="1"> <tr><td>0</td><td>PLC</td><td>± -</td></tr> <tr><td>1</td><td>PLC</td><td>± -</td></tr> <tr><td>2</td><td>PLC</td><td>± -</td></tr> <tr><td>3</td><td>PLC</td><td>± -</td></tr> <tr><td>4</td><td>PLC</td><td>± -</td></tr> <tr><td></td><td>ANGLES</td><td>± -</td></tr> </table>		0	PLC	± -	1	PLC	± -	2	PLC	± -	3	PLC	± -	4	PLC	± -		ANGLES	± -	PRODUCT SPEC 108-69096-001	SIZE A3	CAGE CODE 00779
0	PLC	± -																				
1	PLC	± -																				
2	PLC	± -																				
3	PLC	± -																				
4	PLC	± -																				
	ANGLES	± -																				
MATERIAL -		FINISH -	APPLICATION SPEC -	DRAWING NO C=2333229																		
		APPROX. WEIGHT 9.25 kg	RESTRICTED TO -																			
CUSTOMER DRAWING			SCALE 1:4	SHEET 1 OF 1																		
			REV A																			