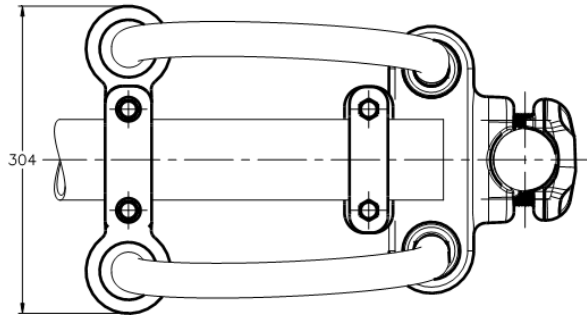
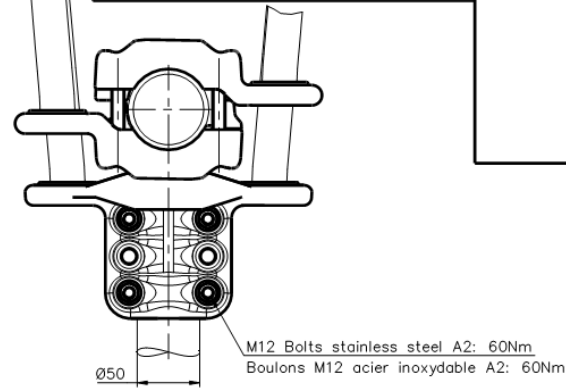
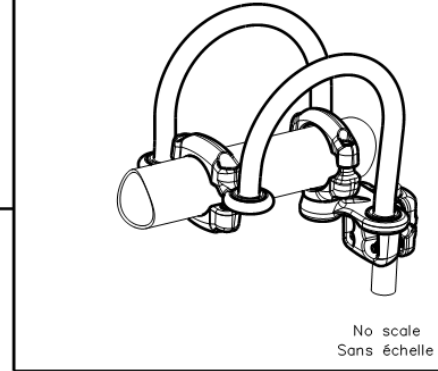
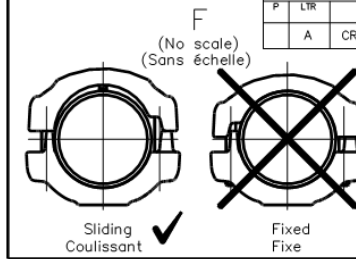
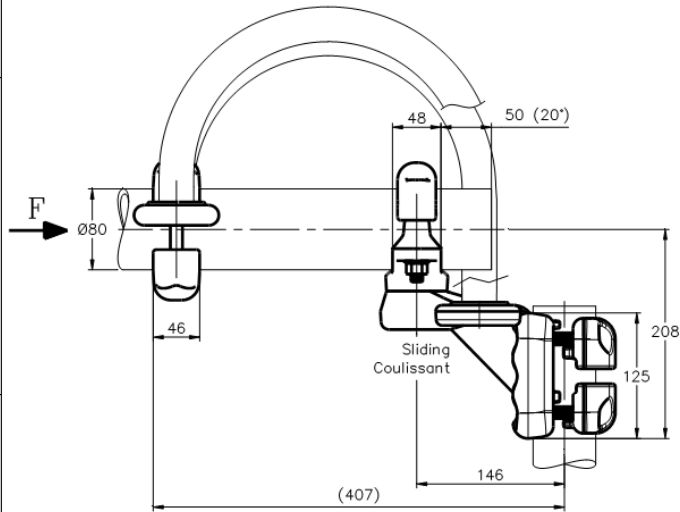


REVISIONS

P	LTR	DESCRIPTION	DATE	DWN	APVD
A	CREATION		10-JUN-20	GL	-



THIS DRAWING IS A CONTROLLED DOCUMENT.

DWN: LAFORGE 10-JUN-20	
CHK: -	
APVD: -	
NAME: EXPANSION CONNECTOR TO VERTICAL STUD	
PRODUCT SPEC: 108-69096-001	
APPLICATION SPEC: -	
RESTRICTED TO: -	
MATERIAL: -	
FINISH: -	
WEIGHT: 9.25kg	
CUSTOMER DRAWING	

DWN: LAFORGE 10-JUN-20		CHK: -		APVD: -		NAME: EXPANSION CONNECTOR TO VERTICAL STUD	
PRODUCT SPEC: 108-69096-001		APPLICATION SPEC: -		RESTRICTED TO: -		RACCORD A DILATATION SUR BORNE VERTICALE	
SIZE: -		CAGE CODE: A300779		DRAWING NO: C=2373797		5 TTBFL 82 T80 L505 27	
MATERIAL: -		FINISH: -		WEIGHT: 9.25kg		RESTRICTED TO: -	
CUSTOMER DRAWING		SCALE: 1:4		SHEET: 1 of 1		REV: A	

ITEM:.....