

4

3

2

1

THIS DRAWING IS UNPUBLISHED.

RELEASED FOR PUBLICATION

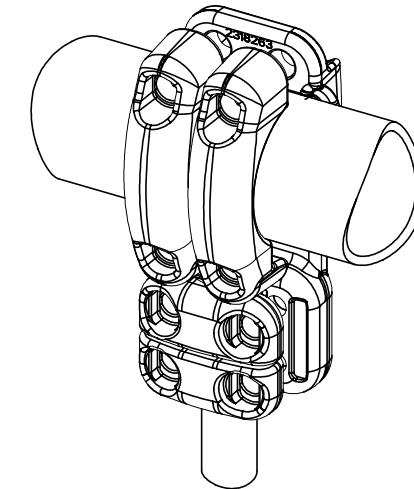
-, - .

REVISIONS

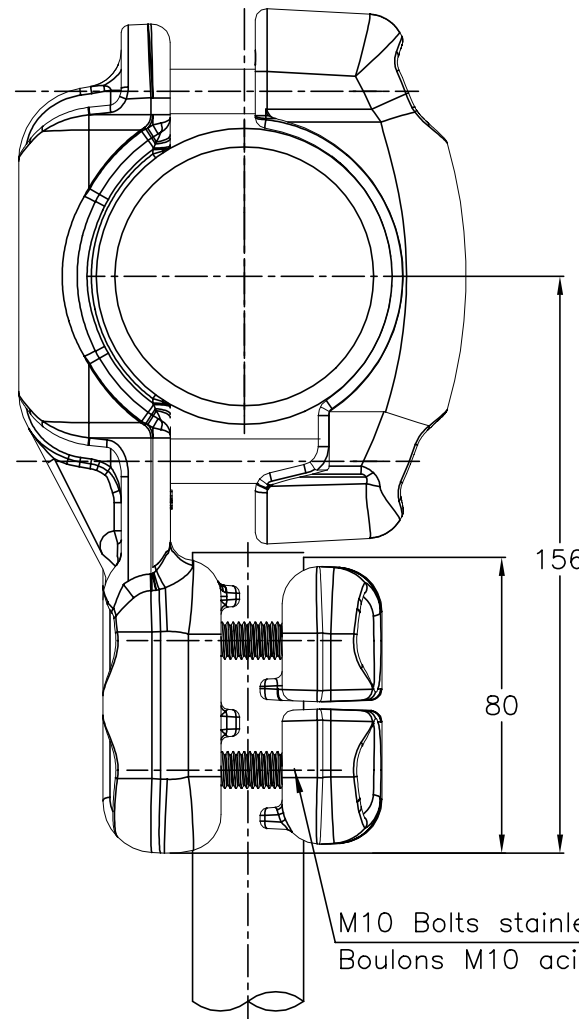
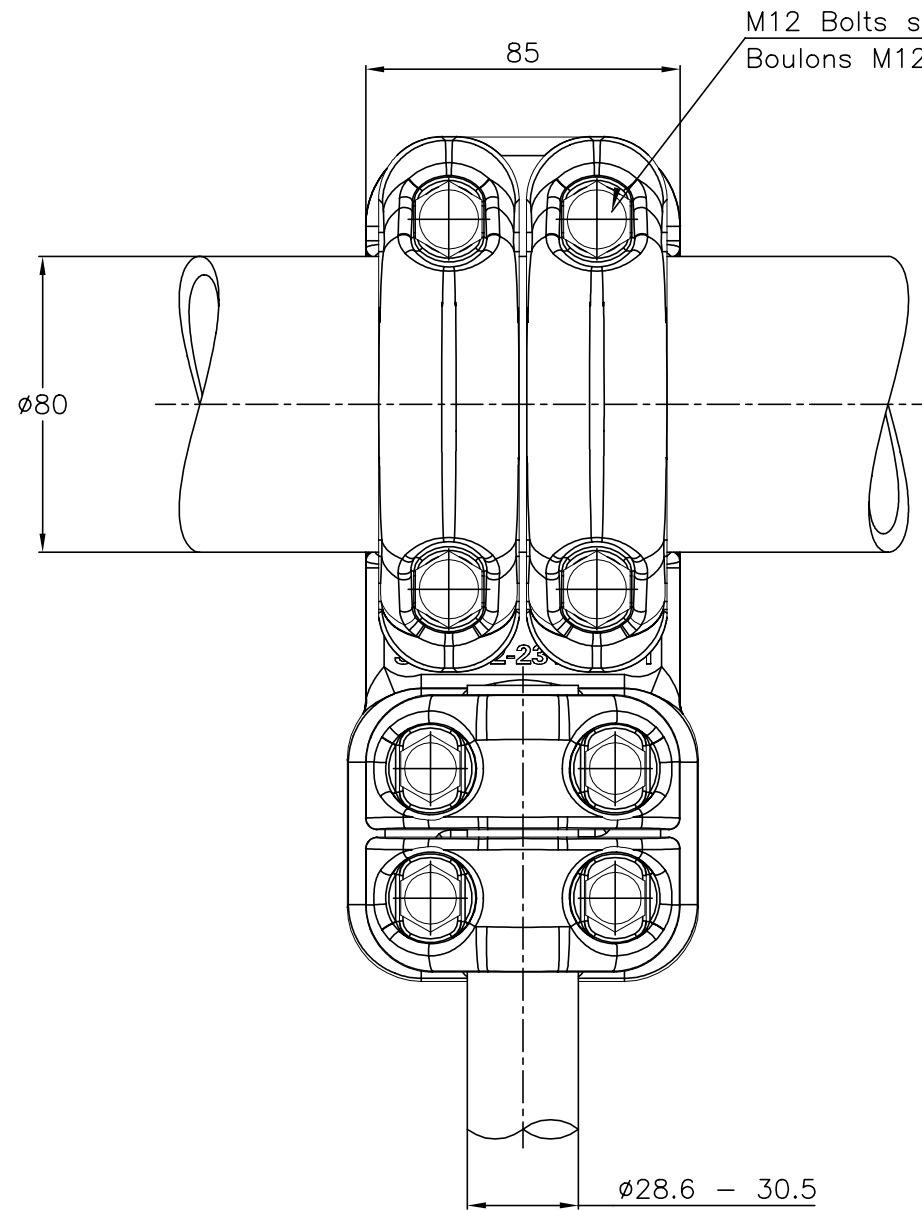
© COPYRIGHT - By -

ALL RIGHTS RESERVED.

P	LTR	DESCRIPTION	DATE	DWN	APVD
A		CREATION	09-JUL-20	BH	-



No scale
Sans échelle



THIS DRAWING IS A CONTROLLED DOCUMENT.		DWN	HUARD	09-Jul-20
DIMENSIONS: mm		CHK	-	-
TOLERANCES UNLESS OTHERWISE SPECIFIED:		APVD	-	-
0 PLC ± -		PRODUCT SPEC	108-69096-001	
1 PLC ± -		APPLICATION SPEC	-	
2 PLC ± -		APPROX.WEIGHT	3 kg	
3 PLC ± -		CUSTOMER DRAWING	-	
4 PLC ± -		SCALE	1:2	
ANGLES ± -		SHEET	1 of 1	
FINISH		REV	A	
MATERIAL		-		

TE Connectivity

NAME: Busbar connector to vertical stud
Raccord Tube sur borne verticale
5 TTBF 82 T80 S305

RESTRICTED TO

SIZE: A3
CAGE CODE: 00779
DRAWING NO: C=2376815

ITEM:.....