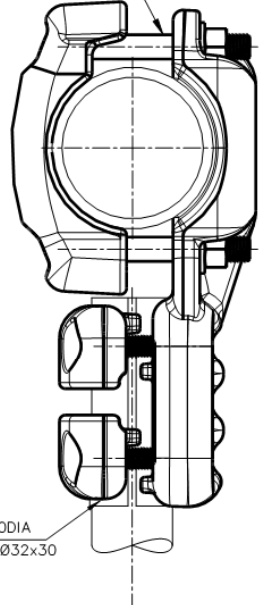
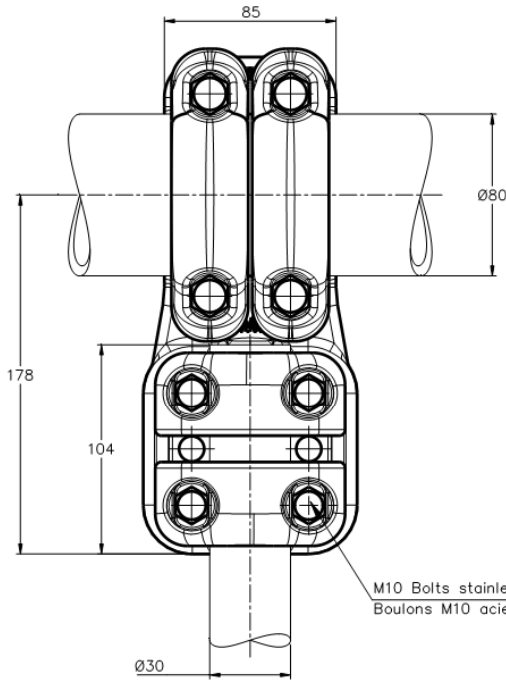


REVISIONS					
P	LTR	DESCRIPTION	DATE	DWN	APVD
A		CREATION	16-DEC-20	GL	-

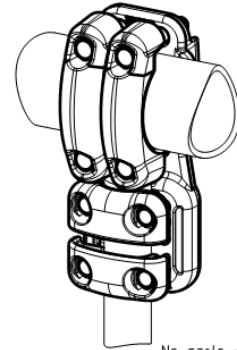
M12 Bolts stainless steel A2: 60Nm
 Boulons M12 acier inoxydable A2: 60Nm



Bimetallic sleeve Alu/Copper 32x30DIA
 Fourrure bi-métallique alu/Cuivre Ø32x30



M10 Bolts stainless steel A2: 37Nm
 Boulons M10 acier inoxydable A2: 37Nm



No scale - sans echelle

ITEM:.....

THIS DRAWING IS A CONTROLLED DOCUMENT.		DWN LAFORGE	16-DEC-20	STE TE Connectivity	
DIMENSIONS: mm		CHK -	APVD -		
TOLERANCES UNLESS OTHERWISE SPECIFIED:		PRODUCT SPEC 108-69090-001		RESTRICTED TO -	
0 PLC ± - 1 PLC ± - 2 PLC ± - 3 PLC ± - 4 PLC ± - ANGLES ± -		APPLICATION SPEC -		SIZE A3	CAGE CODE 00779
MATERIAL -		FINISH -		DRAWING NO C=2384371	
		WEIGHT 2.7 kg		CUSTOMER DRAWING	
		SCALE 1:2		SHEET 1 of 1 REV A	