

4

3

2

1

THIS DRAWING IS UNPUBLISHED.

RELEASED FOR PUBLICATION

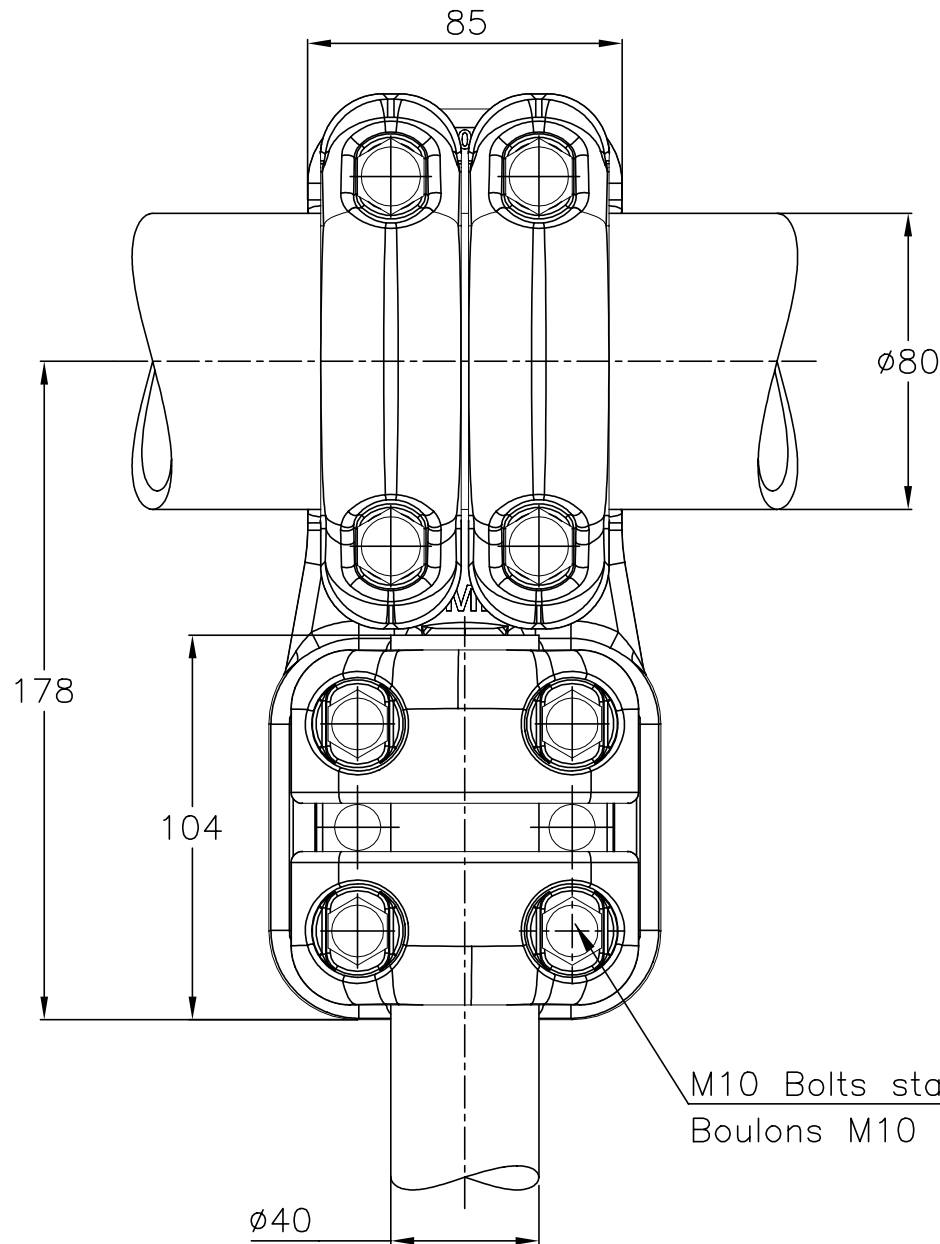
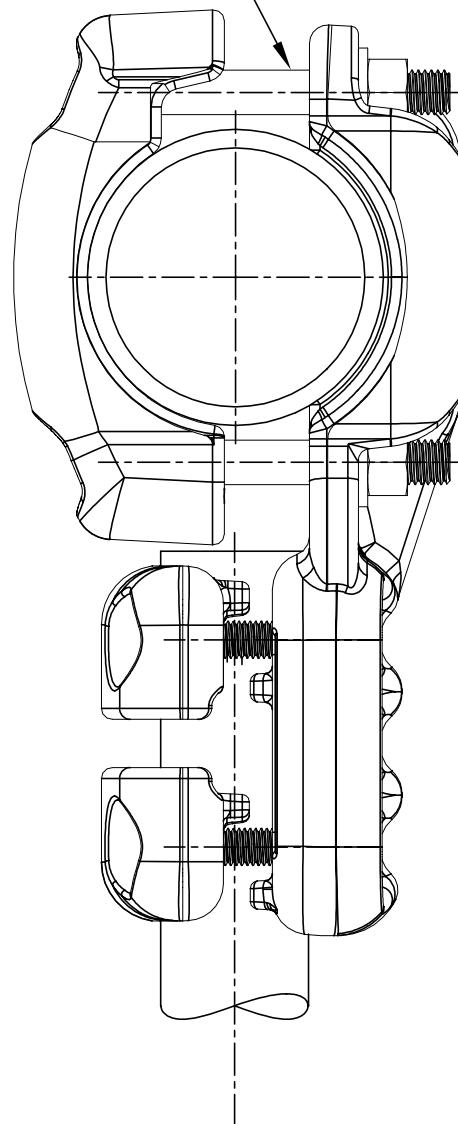
ALL RIGHTS RESERVED.

© COPYRIGHT - By -

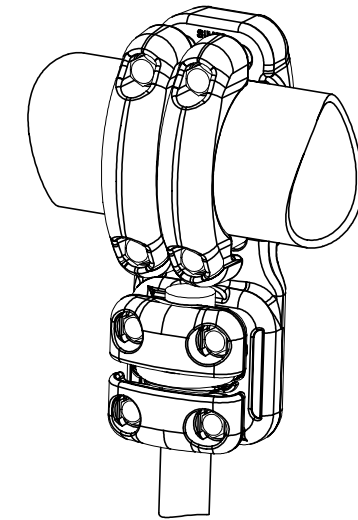
REVISIONS

P	LTR	DESCRIPTION	DATE	DWN	APVD
A		CREATION	09-JUL-20	BH	-

M12 Bolts stainless steel A2: 60Nm
 Boulons M12 acier inoxydable A2: 60Nm



M10 Bolts stainless steel A2: 37Nm
 Boulons M10 acier inoxydable A2: 37Nm



No scale
 Sans échelle

THIS DRAWING IS A CONTROLLED DOCUMENT.		DWN	HUARD	09-Jul-20	TE TE Connectivity		
DIMENSIONS: mm		CHK	-	-			
TOLERANCES UNLESS OTHERWISE SPECIFIED:		APVD	-	-	NAME TEE CONNECTOR RACCORD EN TE		
0 PLC ± -		PRODUCT SPEC		108-69096-001			
1 PLC ± -		APPLICATION SPEC		5 TTBF 82 T80 M405			
2 PLC ± -		SIZE	CAGE CODE	DRAWING NO	RESTRICTED TO		
3 PLC ± -		A3 00779		C=2376814	-		
4 PLC ± -		APPROX.WEIGHT	2.6 kg		SCALE		
ANGLES ± -		CUSTOMER DRAWING		1:2		SHEET	
FINISH		-		1 of 1		REV	
MATERIAL		-		A			

ITEM:.....