

4

3

2

1

THIS DRAWING IS UNPUBLISHED.

RELEASED FOR PUBLICATION

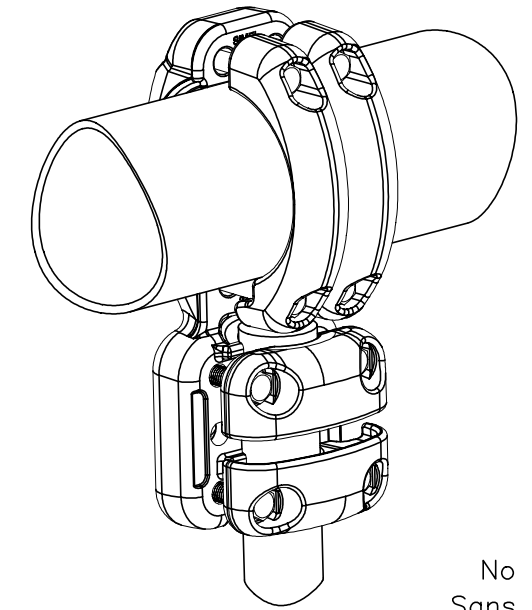
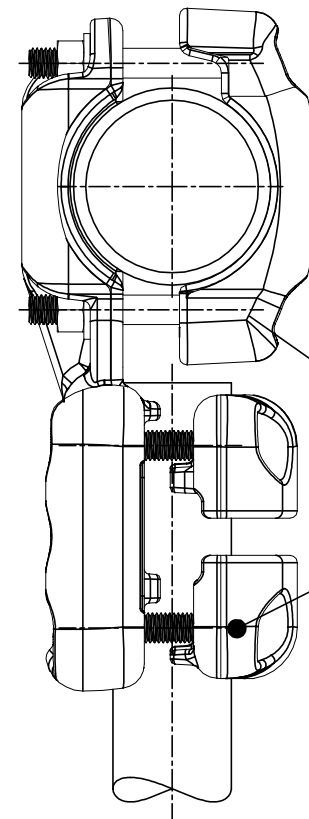
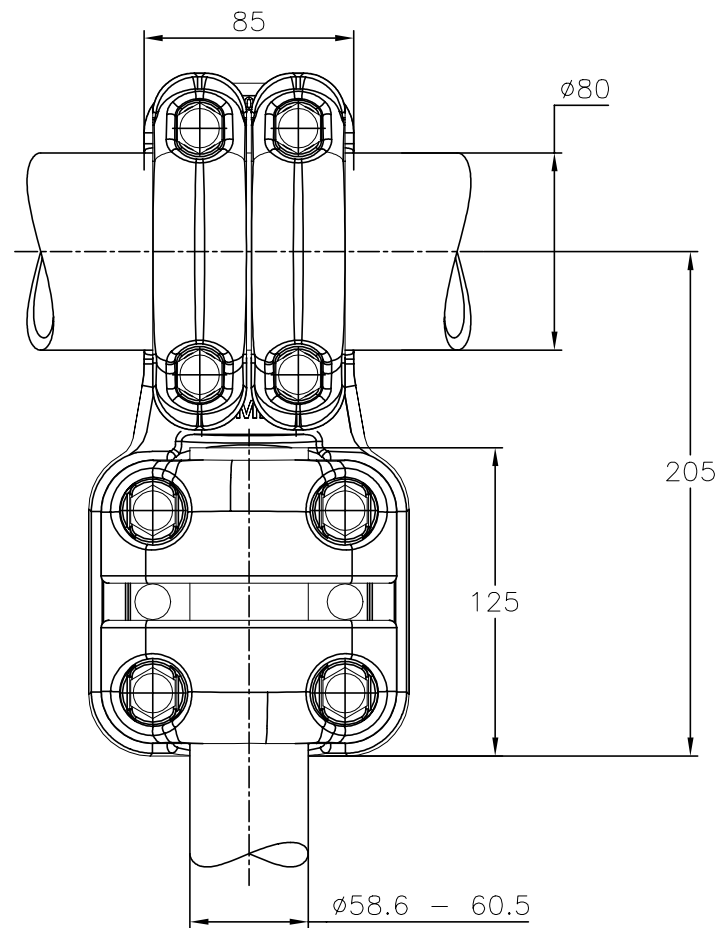
-,-

REVISIONS

© COPYRIGHT - By -

ALL RIGHTS RESERVED.

P	LTR	DESCRIPTION	DATE	DWN	APVD
	A	CREATION	09-JUL-20	BH	-



No scale  
Sans échelle

M12 Bolts stainless steel A2: 60Nm  
Boulons M12 acier inoxydable A2: 60Nm

THIS DRAWING IS A CONTROLLED DOCUMENT.		DWN	HUARD	09-Jul-20	<b>TE</b> TE Connectivity		
DIMENSIONS: mm		CHK	-	-			
TOLERANCES UNLESS OTHERWISE SPECIFIED:		APVD	-	-	NAME SINGLE TEE CONNECTOR FOR TUBE TO STUD RACCORD EN TE POUR TUBE SUR BORNE		
0 PLC ± -		PRODUCT SPEC		108-69090-001			
1 PLC ± -		APPLICATION SPEC		5 TTBF 82 T80 L605			
2 PLC ± -		SIZE	CAGE CODE	DRAWING NO	RESTRICTED TO		
3 PLC ± -		APPROX.WEIGHT		A3 00779		C=2376813	
4 PLC ± -		3.4 kg		SCALE			
ANGLES ± -		CUSTOMER DRAWING		1:3		SHEET	
FINISH		-		1 of 1		REV	
MATERIAL		-		A			

ITEM:.....