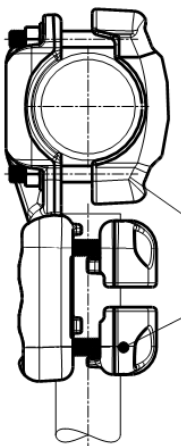
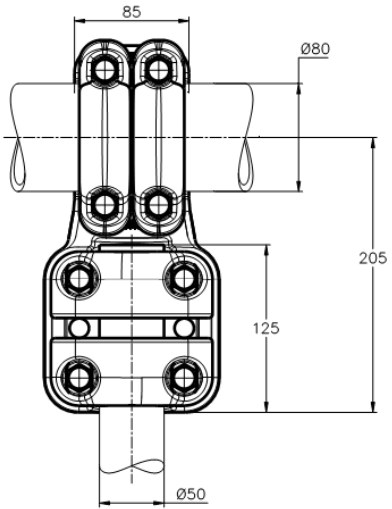
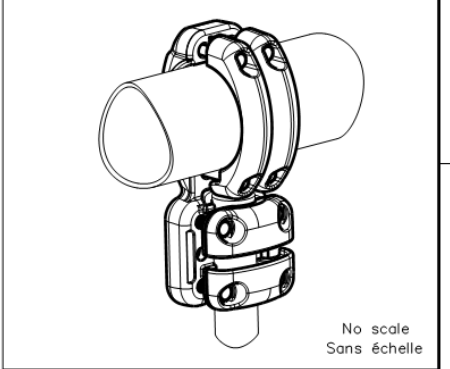


THIS DRAWING IS UNPUBLISHED. RELEASED FOR PUBLICATION  
 © COPYRIGHT - By - ALL RIGHTS RESERVED.

REVISIONS					
P	LTR	DESCRIPTION	DATE	DWI	APVD
A		CREATION	02-APR-19	GL	-



M12 Bolts stainless steel A2: 60Nm  
 Boulons M12 acier inoxydable A2: 60Nm

THIS DRAWING IS A CONTROLLED DOCUMENT.		DWI: LAFORGE 02-APR-19	TE Connectivity	
DIMENSIONS: mm		CHK: -	NAME: SINGLE TEE CONNECTOR FOR TUBE TO STUD RACCORD EN TE POUR TUBE SUR BORNE	
TOLERANCES UNLESS OTHERWISE SPECIFIED:		APVD: -	5 TTBF 82 T80 L505	
<ul style="list-style-type: none"> <li>Ø PLC ± -</li> <li>1 PLC ± -</li> <li>2 PLC ± -</li> <li>3 PLC ± -</li> <li>4 PLC ± -</li> <li>ANGLES ± -</li> </ul>	PRODUCT SPEC: 108-69090-001 APPLICATION SPEC: -	SIZE: A3	CAGE CODE: 00779	DRAWING NO: C=2354760
MATERIAL: -	FINISH: -	APPROX. WEIGHT: 3.4 kg	RESTRICTED TO: -	
ITEM:.....		CUSTOMER DRAWING		SCALE: 1:3 SHEET: 1 of 1 REV: A