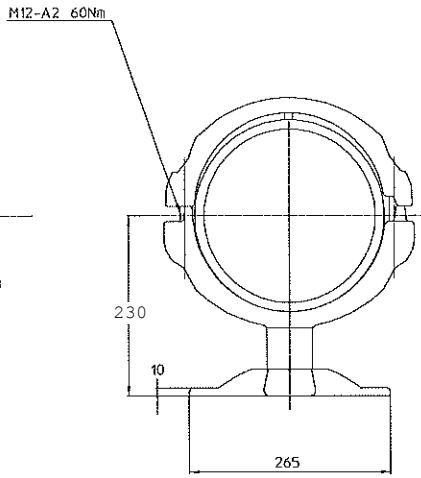
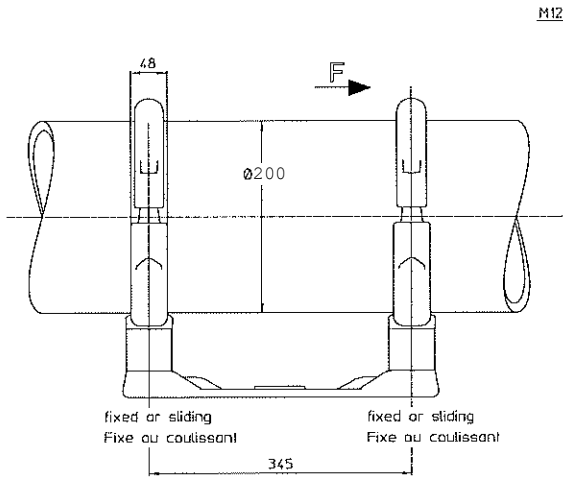
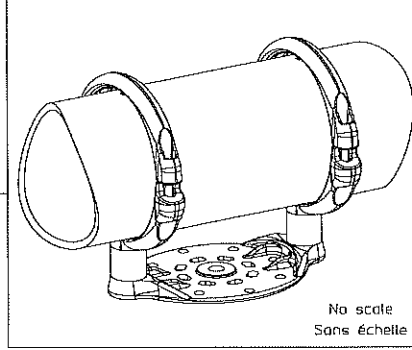
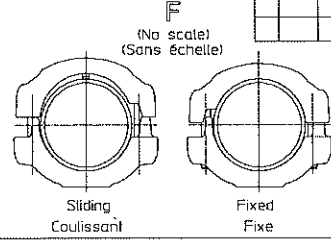
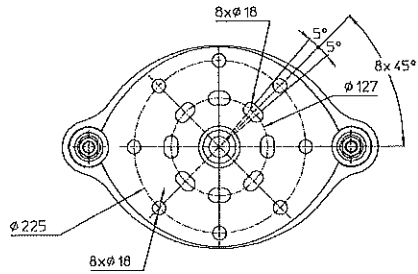


THIS DRAWING IS UNPUBLISHED  
 DROUILLAGE NON PUBLIE  
 © COPYRIGHT 2011 by Tyco Electronics Corporation  
 TOUS DROITS RESERVES

RELEASED FOR PUBLICATION  
 LIBRE A LA PUBLICATION  
 ALL RIGHTS RESERVED  
 TOUS DROITS RESERVES

LOC	DIST	P	L	R	REV	DESCRIPTION	DATE	Dwn	APVD
-	-	A				CREATION	19-Jun-14	JG	-



CONNECTOR - RACCORD	
MATERIEL - MATIERE	Al
VOLTAGE - TENSION	550 kV
RATED CURRENT - In	-
SHORT TIME CURRENT - Icc	-

PROJECT - PROJET	
VOLTAGE - TENSION	
CUSTOMER - CLIENT	
FIXATION:	

THIS DRAWING IS A CONTROLLED DOCUMENT.  
 CE DROUILLAGE EST UN DOCUMENT A CONTRÔLE D'ACCÈS

Dwn RESSE 19-Jun-14  
 GODARD  
 CHICHEPNE

DIMENSIONS: mm  
 TOLERANCES UNLESS OTHERWISE SPECIFIED PER SECON - -  
 TOLERANCES NON SPECIFIEES

APPROUVE  
 PRODUCT SPEC  
 SPEC PRODUCT 108-69090-001  
 APPLICATION SPEC  
 SPEC APPLICATION

NAME TITRE  
 Ø200 BUSBAR SUPPORT ON P5-P225 BPI  
 5 TSD 82 P5-P225 T200 H230



APPROX. WEIGHT / MASSE APPROX 7.6 kg

SIZE	CAGE CODE	DRAWING NO	RESTRICTED TO
FORMAT		NO PLAN	RESERVE A
A3	00779	2830312	-

ITEM: ..... 2