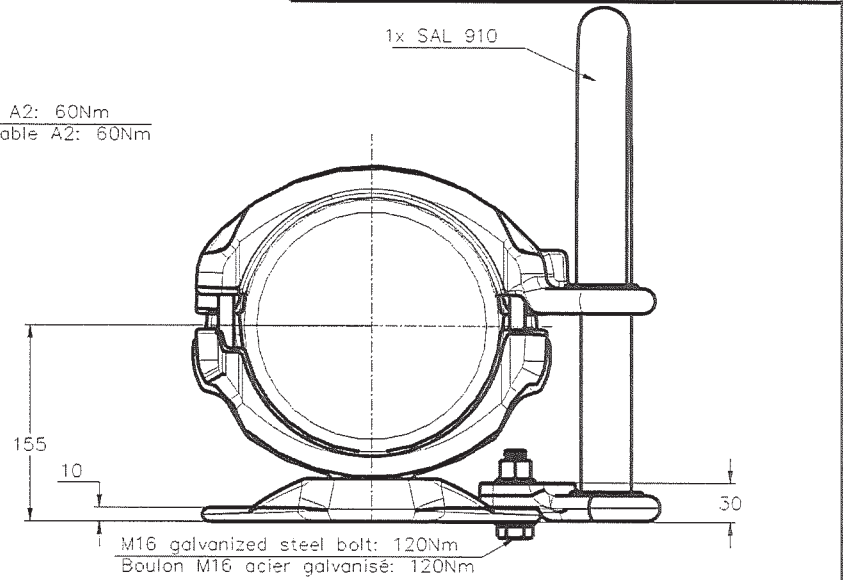
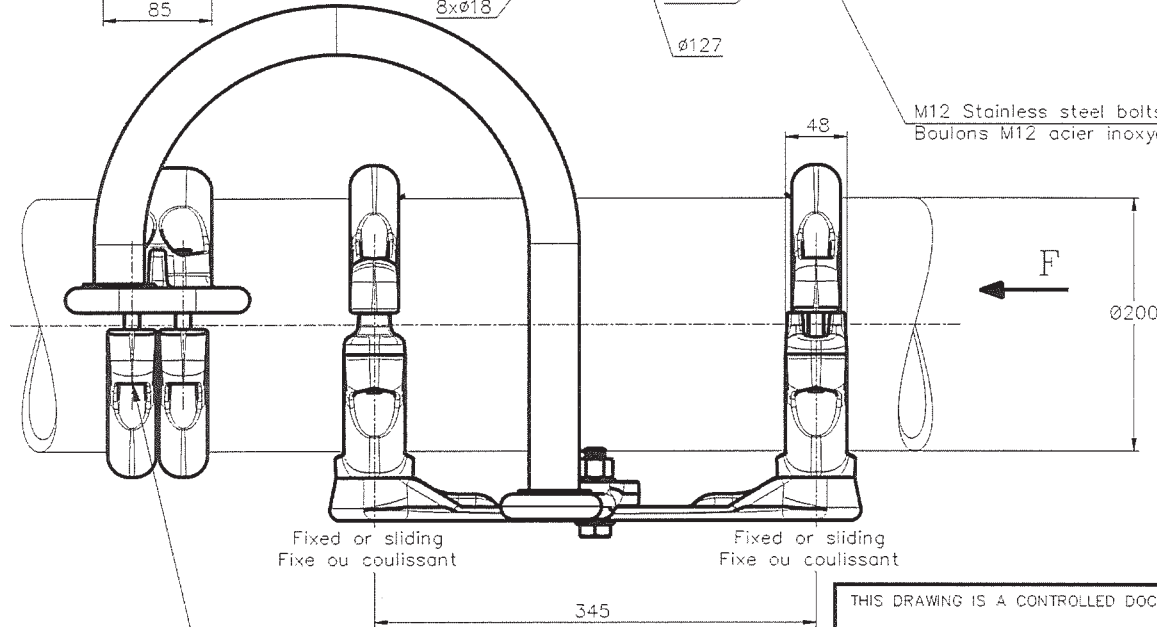
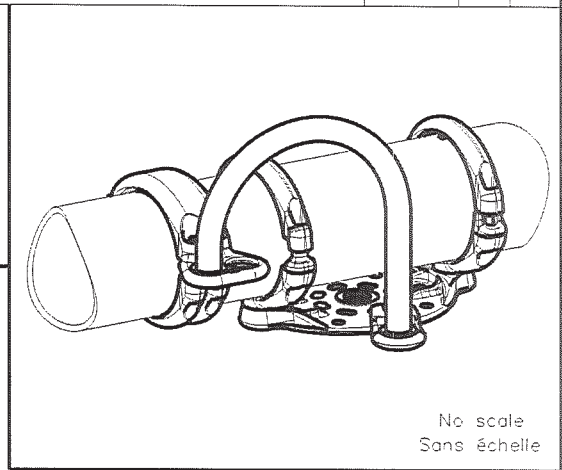
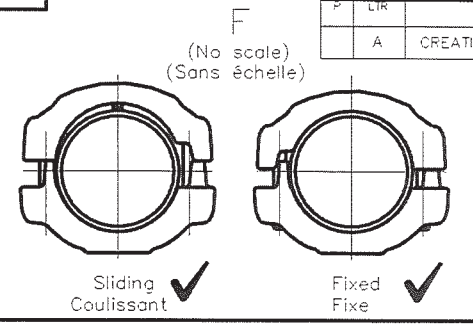
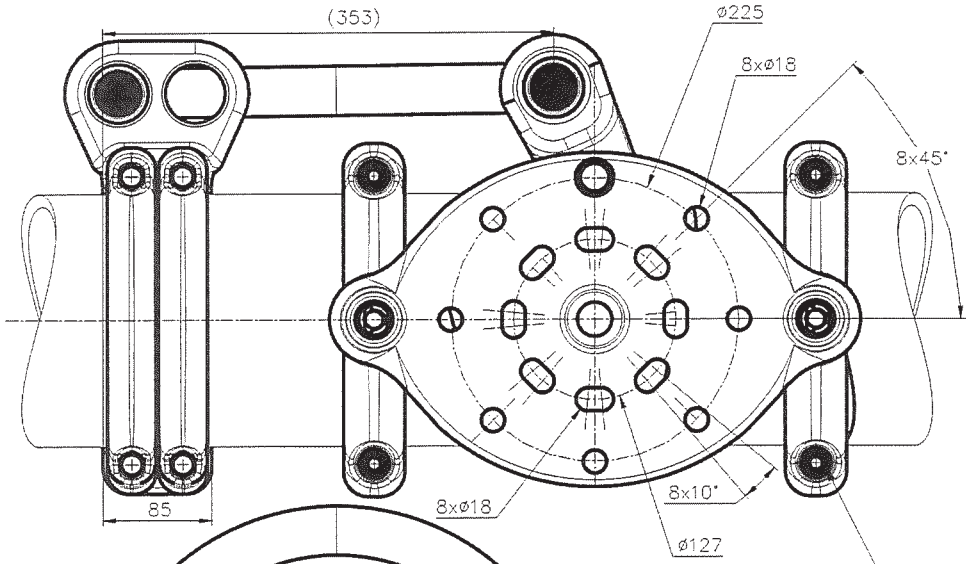


THIS DRAWING IS UNPUBLISHED. RELEASED FOR PUBLICATION  
 (C) COPYRIGHT - By - ALL RIGHTS RESERVED.

REVISIONS					
#	LR	DESCRIPTION	DATE	DWN	APVD
A		CREATION	04-May-17	JG	-



M12 Stainless steel bolts A2: 60Nm  
 Boulons M12 acier inoxydable A2: 60Nm

THIS DRAWING IS A CONTROLLED DOCUMENT.		DWN: GODARD	04-May-17	
DIMENSIONS: mm		CHK: -	NAME	
TOLERANCES UNLESS OTHERWISE SPECIFIED:		APVD: -	PRODUCT SPEC	
<ul style="list-style-type: none"> <li>0 PLC ± -</li> <li>1 PLC ± -</li> <li>2 PLC ± -</li> <li>3 PLC ± -</li> <li>4 PLC ± -</li> <li>ANGLES ± -</li> </ul>		APPLICATION SPEC		108-69090-001
MATERIAL		APPROX. WEIGHT	SIZE	CAGE CODE
-		13.1 kg	A3	00779
FINISH		DRAWING NO		RESTRICTED TO
-		G=2319789		-
		CUSTOMER DRAWING		SCALE: 1:4
		SHEET 1 of 1		REV A

ITEM: 2-110