

THIS DRAWING IS UNPUBLISHED.

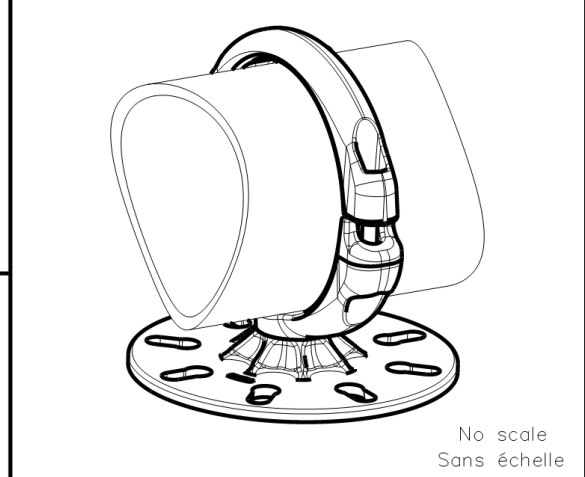
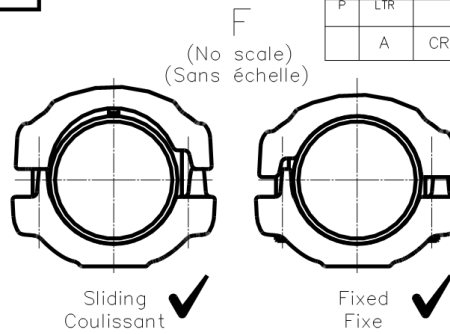
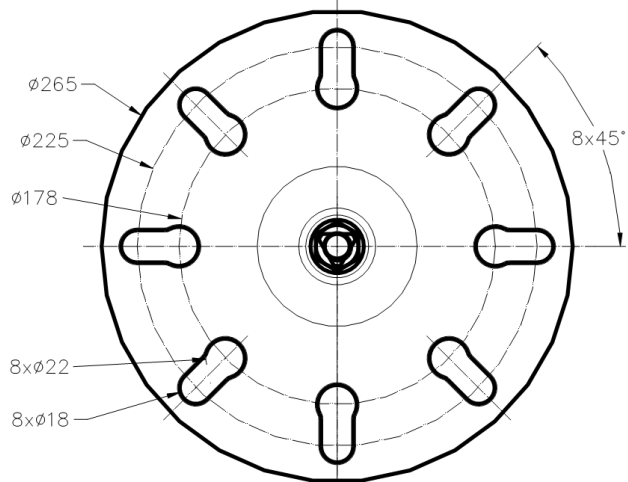
RELEASED FOR PUBLICATION

© COPYRIGHT -- By --

ALL RIGHTS RESERVED.

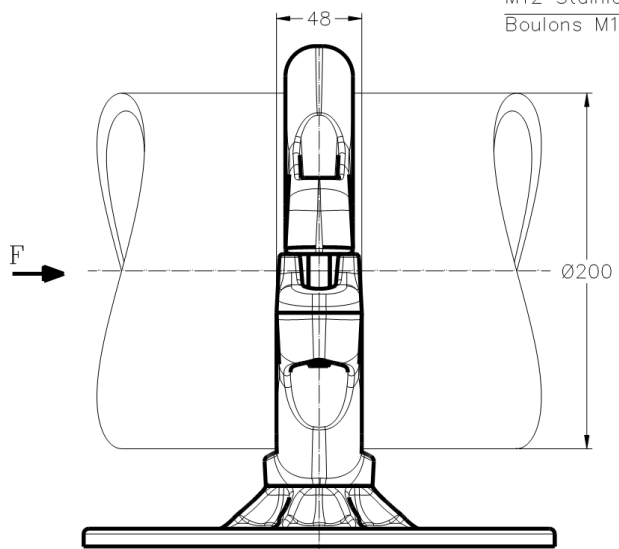
REVISIONS

P	LTR	DESCRIPTION	DATE	DWN	APVD
A	CREATION		03-MAY-17	JG	-

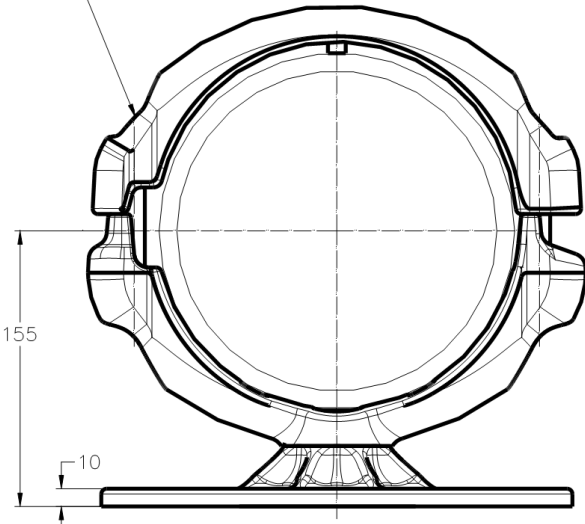


No scale
Sans échelle

M12 Stainless steel bolts A2: 60Nm
Boulons M12 acier inoxydable A2: 60Nm



Fixed or Sliding
Fixe ou Coulissant



THIS DRAWING IS A CONTROLLED DOCUMENT.		DWN GODARD	03-May-2017	STE TE Connectivity	
DIMENSIONS: mm		CHK ---	---		
TOLERANCES UNLESS OTHERWISE SPECIFIED:		APVD ---	---	NAME	
0 PLC ± -		PRODUCT SPEC		BUSBAR SUPPORT ON BPI	
1 PLC ± -		108-69090-001		SUPPORT DE TUBE SUR ISO	
2 PLC ± -		APPLICATION SPEC		5 TS 82 P7-P225 T200	
3 PLC ± -		---		SIZE	CAGE CODE
4 PLC ± -		---		A3	00779
ANGLES ± -		WEIGHT		DRAWING NO	RESTRICTED TO
MATERIAL		3.5 kg		C=2319736	---
FINISH		CUSTOMER DRAWING		SCALE	SHEET
				1/3	1 of 1
				REV	A

ITEM: 3