

4

3

2

1

THIS DRAWING IS UNPUBLISHED.
DIFFUSION RESTREINTE

RELEASED FOR PUBLICATION
LIBRE A LA DIFFUSION

2011

© COPYRIGHT 2011

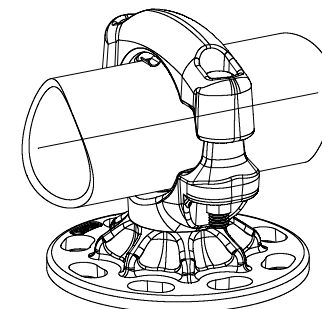
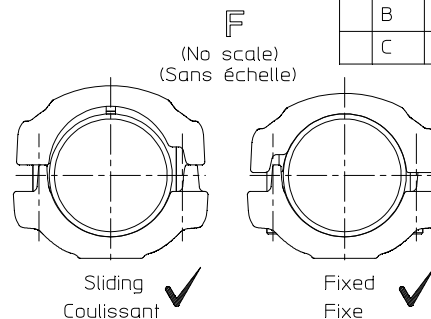
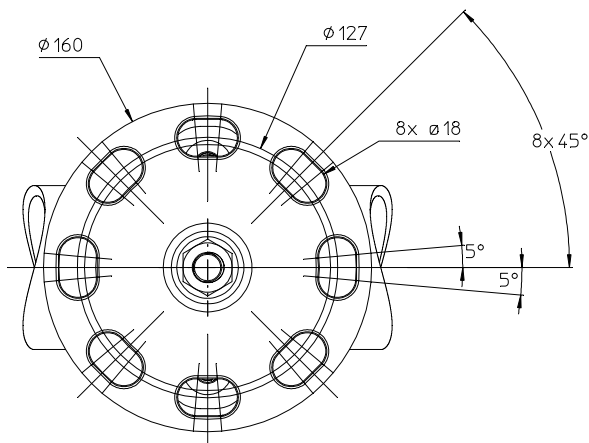
by Tyco Electronics Corporation

ALL RIGHTS RESERVED.
TOUS DROITS RESERVES

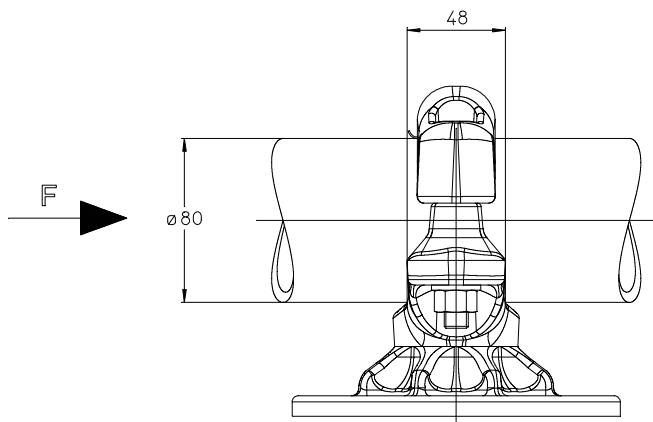
LOC	DIST
-	-

REVISIONS

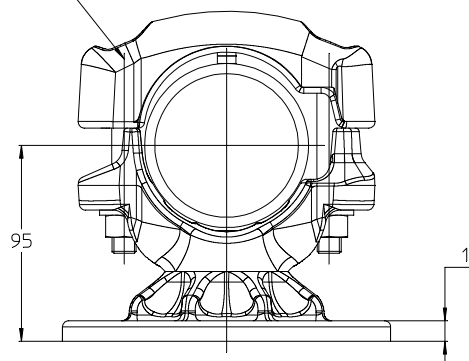
P	LTR REV	DESCRIPTION MODIFICATIONS	DATE	DWN DESS	APVD APPR
A		CREATION	10-Sep-14	PG	-
B		UPDATED DRAWING	23-Oct-14	GL	-
C		UPDATED DRAWING	08-Jan-15	TC	-



No scale
Sans échelle



M12 Stainless steel bolts: 60Nm
Boulons M12 acier inoxydable: 60Nm



Fixed or sliding
Fixe ou coulissant

THIS DRAWING IS A CONTROLLED DOCUMENT. <small>CE PLAN EST UN DOCUMENT CONTROLÉ PAR TYCO ELECTRONICS CORPORATION IL EST SUSCEPTIBLE D'ÊTRE REVISÉ POUR OBTENIR LA DERNIÈRE RÉVISION CONTACTER LE SERVICE TECHNIQUE DE TYCO ELECTRONICS SNE, SAS 4220 LEVREY-CHAMBERTIN, FRANCE.</small>		DWN /DESSINE GARNIER P. 10-Sep-14	STE TE connectivity SIMEL PRODUCTS	
DIMENSIONS: mm	TOLERANCES UNLESS OTHERWISE SPECIFIED PER TOLERANCES NON SPECIFIÉES SELON : -	CHK/VERIFIE -	NAME TITRE	
		APVD/APPROUVE -	Ø80 BUSBAR SUPPORT ON P5 BPI SUPPORT TUBE Ø80 SUR ISO P5	
MATERIAL MATIERE	FINISH FINITION	PRODUCT SPEC SPEC. PRODUCT 108-69090-001	SIZE FORMAT A3	RESTRICTED TO RESERVE A -
		APPLICATION SPEC SPEC. APPLICATION -	CAGE CODE 00779	DRAWING NO No PLAN C=2830732
		APPROX. WEIGHT MASSE APPROX. 156 Kg	CUSTOMER DRAWING /PLAN CLIENT	UNIQUEMENT POUR REFERENCE
			SCALE ECHELLE 2/5	SHEET FEUILLE 1 OF DE 1
				REV C

ITEM: