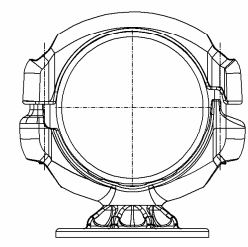
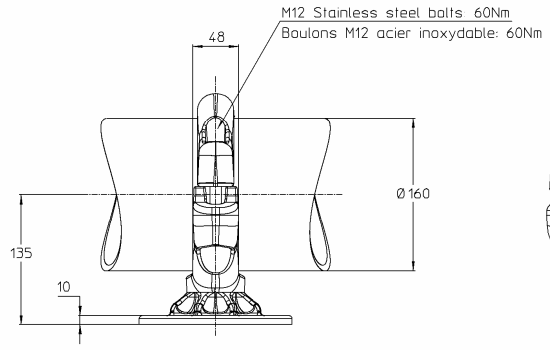
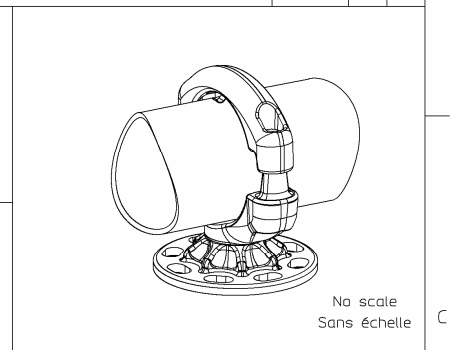
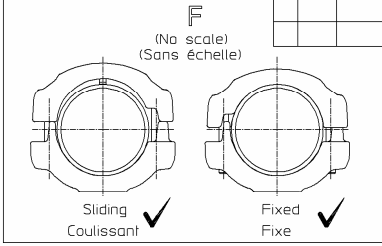
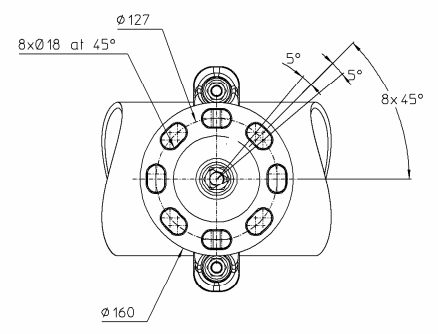


THIS DRAWING IS UNPUBLISHED
 DIFFUSION RESTREINTE
 © COPYRIGHT 2011 by Tyco Electronics Corporation
 RELEASED FOR PUBLICATION
 LIBRE A LA DIFFUSION
 ALL RIGHTS RESERVED
 TOUTS DROITS RESERVES

| LOC | DIST | REVISIONS | | | | | |
|-----|------|-----------|-----|---------------|-----------|------|------|
| - | - | P | LTR | DESCRIPTION | DATE | DWN | APVD |
| | | REV | | MODIFICATIONS | | DESS | APPA |
| | | A | | CREATION | 03-Oct-14 | GL | - |



Fixed or sliding
 Fixe ou coulissant

ITEM:

| | | | | | |
|---|--|------------------------------------|---------------------------|--|--|
| THIS DRAWING IS A CONTROLLED DOCUMENT. <small>PLAQUEE EN DOSSIER CONTROLÉ PAR TICO ELECTRONICS CORPORATION TOUTE MODIFICATION DE DOSSIER DOIT ÊTRE ENREGISTRÉE DANS LE DOCUMENT DE SERVICE TECHNIQUE DE TICO ELECTRONICS CORPORATION</small> | | DWN /DESSINE LAFORGE | 03-OCT-14 | STE TE connectivity SIMEL PRODUCTS | |
| DIMENSIONS: mm | | CHACHEFFE | - | | |
| TOLERANCES UNLESS OTHERWISE SPECIFIED PER TOLERANCES NON SPECIFIEES SELON .. | | APVD/APPROUVE | - | NAME /TITRE | Ø160 BUSBAR SUPPORT ON P5 BPI SUPPORT TUBE Ø160 SUR ISO P5 5 TS 82 P5 T160 |
| MATERIAL MATERE | | PRODUCT SPEC SPEC. PRODUCT | 108-62020-001 | SIZE /FORMAT | A3 |
| FINISH FINITION | | APPLICATION SPEC SPEC. APPLICATION | - | CAGE CODE | 00779 |
| - | | WEIGHT /MASSE APPROX | 2,2KG | DRAWING NO /NO PLAN | C=2830865 |
| - | | CUSTOMER DRAWING /PLAN CLIENT | UNIQUEMENT POUR REFERENCE | SCALE /ECHELLE | 1/4 |
| - | | SHEET /FEUILLE | | 1 | OF /DE |
| - | | REV | | A | |