

4

3

2

1

THIS DRAWING IS UNPUBLISHED.
 DIFFUSION RESTREINTE

RELEASED FOR PUBLICATION
 LIBRE A LA DIFFUSION

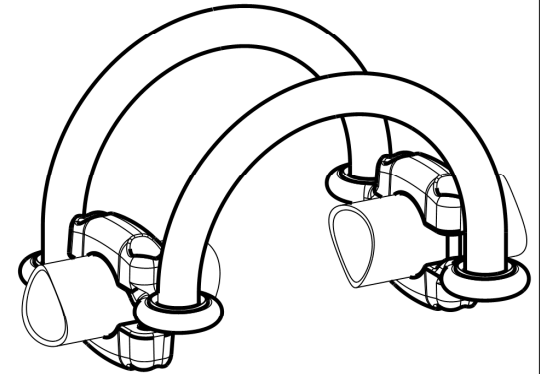
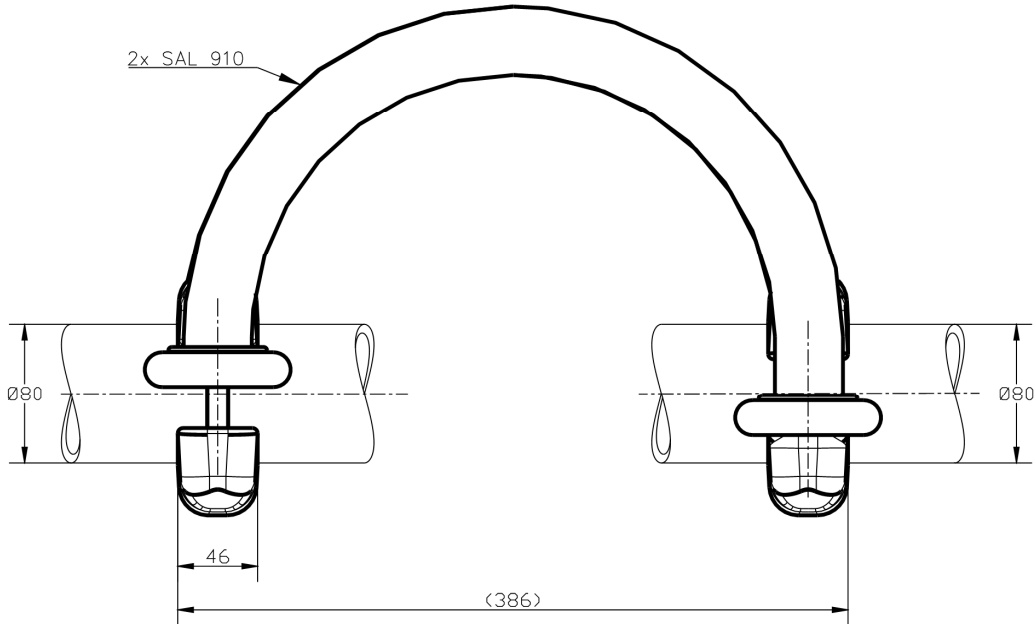
2011

ALL RIGHTS RESERVED.
 TOUS DROITS RESERVES

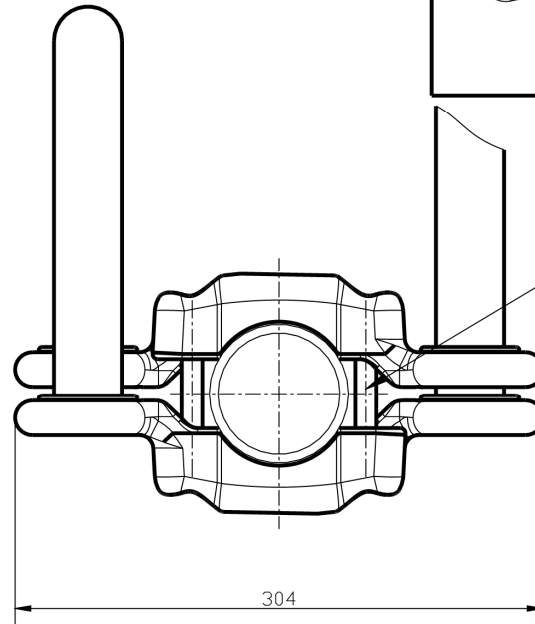
© COPYRIGHT 2011 by Tyco Electronics Corporation

LOC	DIST	REVISIONS				
P	LTR REV	DESCRIPTION MODIFICATIONS	DATE	DWN DESS	APVD APPR	
-	-	A	CREATION	14-Jan-16	JG	-

2x SAL 910



No scale
 Sans échelle



M12 Stainless steel bolt: 60Nm
 Boulons M12 acier inoxydable: 60Nm

THIS DRAWING IS A CONTROLLED DOCUMENT. <small>CE PLAN EST UN DOCUMENT CONTROLÉ PAR TYCO ELECTRONICS CORPORATION IL EST SUSCEPTIBLE D'ÊTRE REVISÉ. POUR OBTENIR LA DERNIÈRE RÉVISION, CONTACTER LE SERVICE TECHNIQUE DE TYCO ELECTRONICS SIMEL SAS, 7220 DE BRET-CHAMPERON, FRANCE</small>		DWN /DESSINE GODARD	14-Jan-16	 TE connectivity SIMEL PRODUCTS	
DIMENSIONS: mm		CHK/VERIFIE -	APVD/APPROUVE -		
		TOLERANCES UNLESS OTHERWISE SPECIFIED PER TOLERANCES NON SPECIFIEES SELON : -		FLEXIBLE JUNCTION FOR TUBES LIAISON FLEXIBLE ENTRE TUBES 5 TJN 82 T80 29	
MATERIAL MATIERE	-	FINISH FINITION	-	WEIGHT MASSE APPROX.	6.3 kg
ITEM:.....		PRODUCT SPEC SPEC. PRODUIT	108-69090-001	SIZE FORMAT	A3
CUSTOMER DRAWING/PLAN CLIENT		APPLICATION SPEC SPEC. APPLICATION	-	CAGE CODE	00779
UNIQUEMENT POUR REFERENCE		DRAWING NO No PLAN	C=2299638	RESTRICTED TO RESERVE A	-
SCALE ECHELLE		1/3	SHEET FEUILLE	1	OF DE
REV		A			