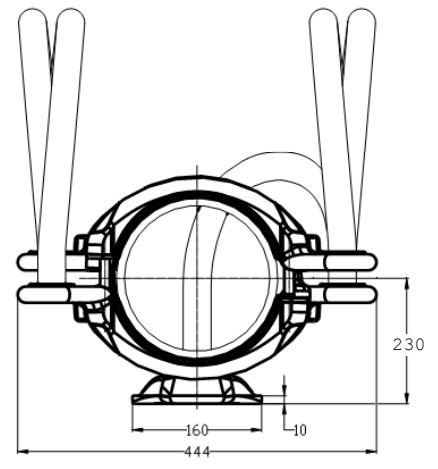
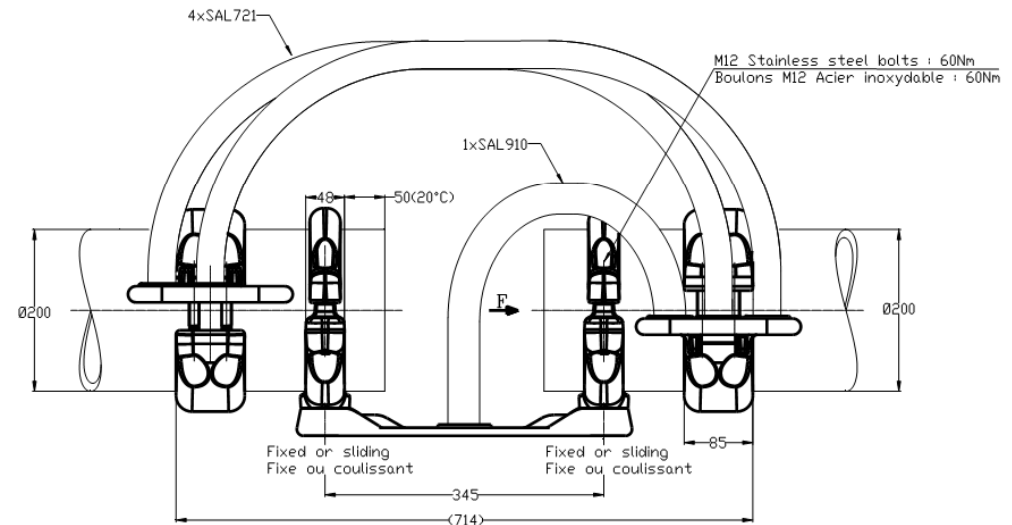
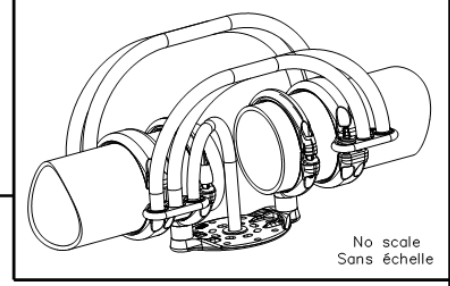
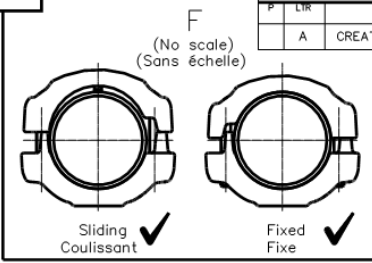
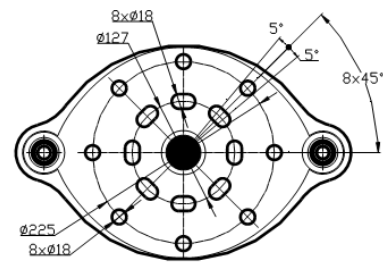


THIS DRAWING IS UNPUBLISHED. RELEASED FOR PUBLICATION. ALL RIGHTS RESERVED.

REVISIONS					
P	LTR	DESCRIPTION	DATE	DWI	APVD
A	CREATION		08-Jun-17	BH	-



THIS DRAWING IS A CONTROLLED DOCUMENT.		DWI HUARD 24-Mar-17	TE Connectivity	
DIMENSIONS: mm		CHK -	APVD -	NAME FLEXIBLE JUNCTION BUSBAR SUPPORT ON BPI
TOLERANCES UNLESS OTHERWISE SPECIFIED:		PRODUCT SPEC 108-69094-001	APPLICATION SPEC -	SUPPORT JUNCTION SOUPLE POUR TUBE SUR ISO
<ul style="list-style-type: none"> Ø PLC ± - 1 PLC ± - 2 PLC ± - 3 PLC ± - 4 PLC ± - ANGLES ± - 	APPROX. WEIGHT 29 kg	SIZE A3	CAGE CODE 00779	
MATERIAL -	FINISH -	DRAWING NO. C=2321341		RESTRICTED TO -
ITEM: ... 1		CUSTOMER DRAWING		SCALE 1:3 SHEET 1 of 1 REV A