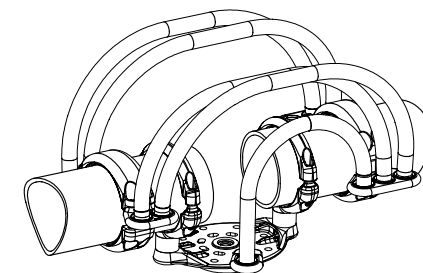
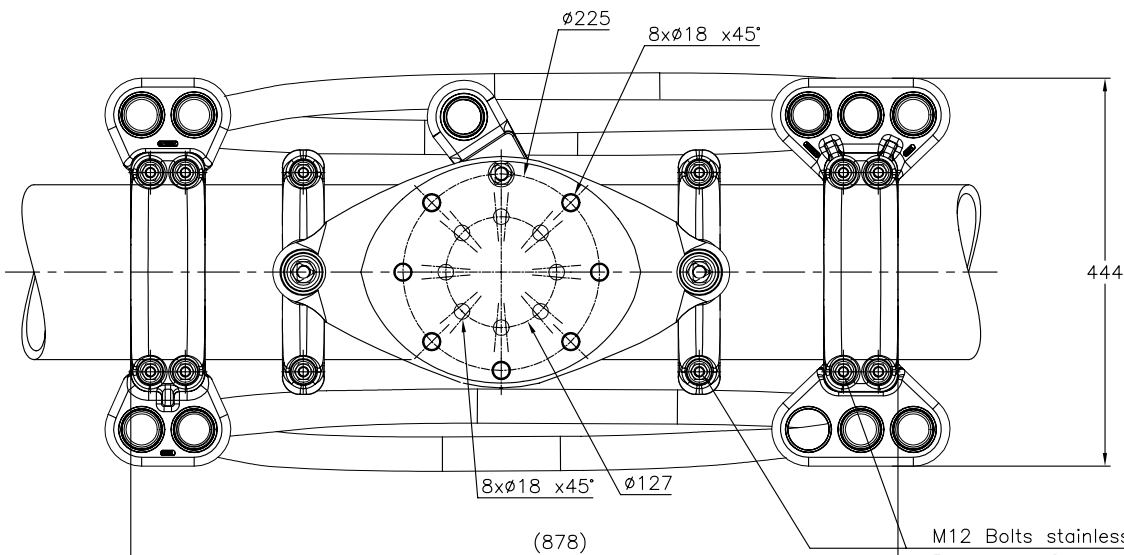


© - TE Connectivity. All Rights Reserved.

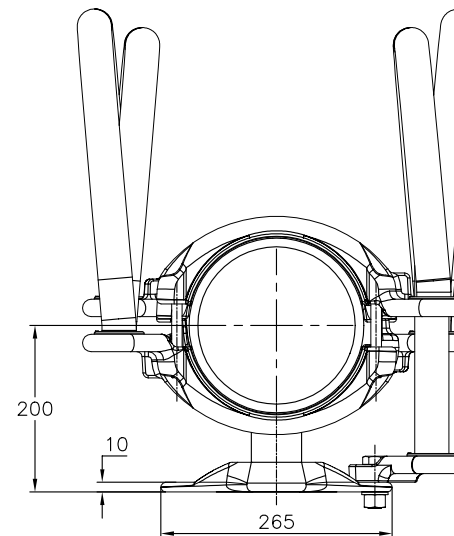
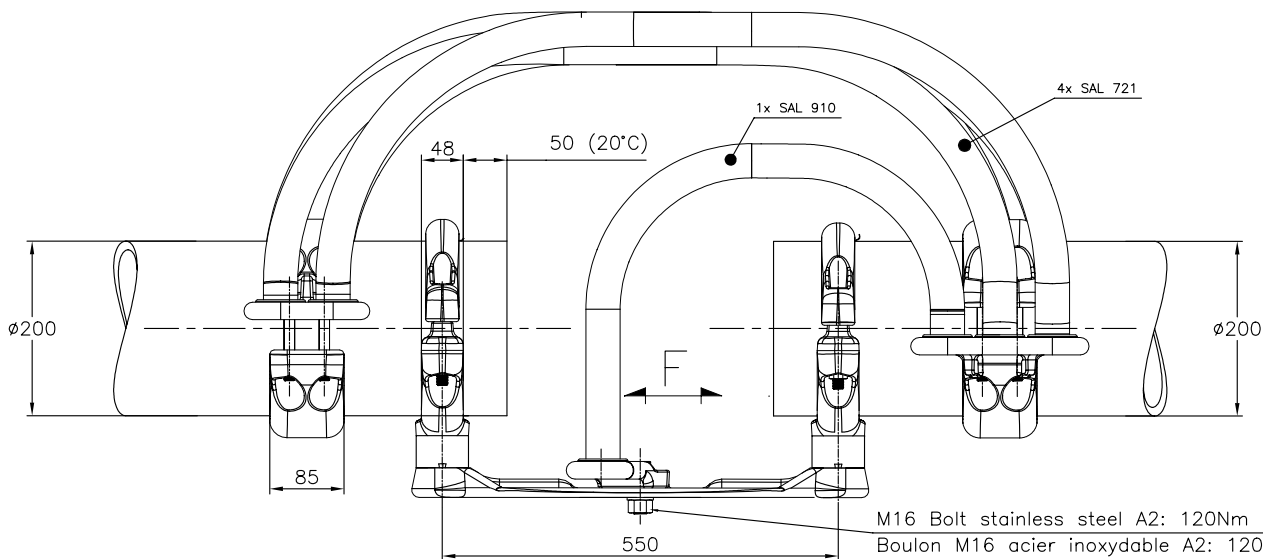
REVISIONS

P	LTR	DESCRIPTION	DATE	DWN	APVD
	A	CREATION	29NOV2021	RS	CG

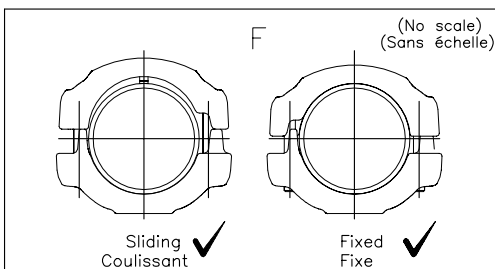


No scale
Sans échelle

M12 Bolts stainless steel A2: 60Nm
Boulons M12 acier inoxydable A2: 60Nm



M16 Bolt stainless steel A2: 120Nm
Boulon M16 acier inoxydable A2: 120Nm



(No scale)
(Sans échelle)

THIS DRAWING IS A CONTROLLED DOCUMENT.

DIMENSIONS:
mm



TOLERANCES UNLESS OTHERWISE SPECIFIED:

0 PLC	± -
1 PLC	± -
2 PLC	± -
3 PLC	± -
4 PLC	± -
ANGLES	± -

MATERIAL

FINISH

DWN	RAVLS	29NOV2021
CHK	M.PREVOT	29NOV2021
APVD	C.GLOMMEAU	29NOV2021
PRODUCT SPEC	108-69090-001	
APPLICATION SPEC		
WEIGHT	33.37 kg	
CUSTOMER DRAWING		



NAME			FLEXIBLE JUNCTION BUSBAR SUPPORT ON BPI JONCTION FLEXIBLE POUR TUBES SUR ISO		
SIZE			5 TJL 82 P5-P225 19 TR200 47 H200 (M16)		
CAGE CODE	DRAWING NO	RESTRICTED TO			
A300779	C=2404387				
SCALE	SHEET	REV			
1:6	1 OF 1	A			

C/001