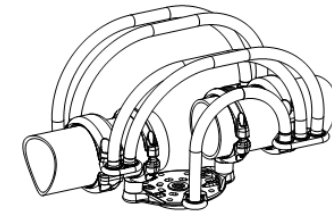
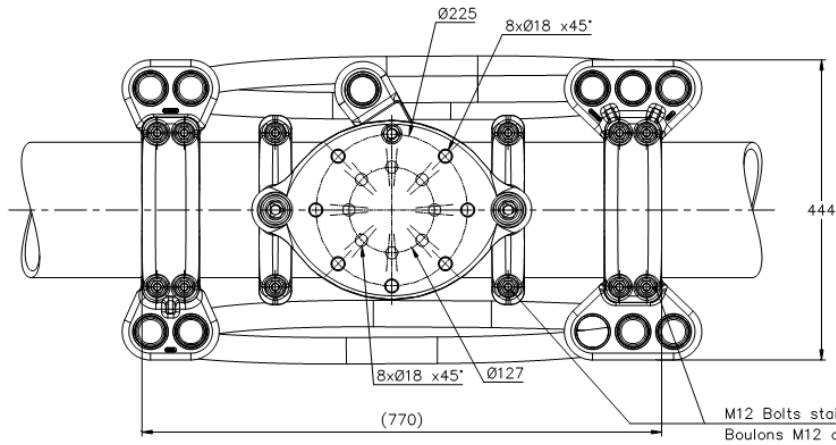


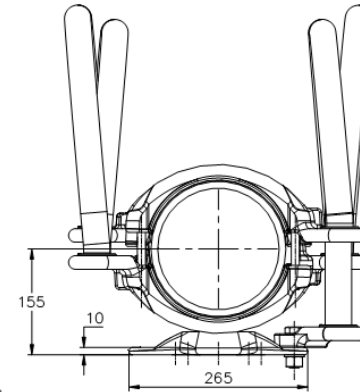
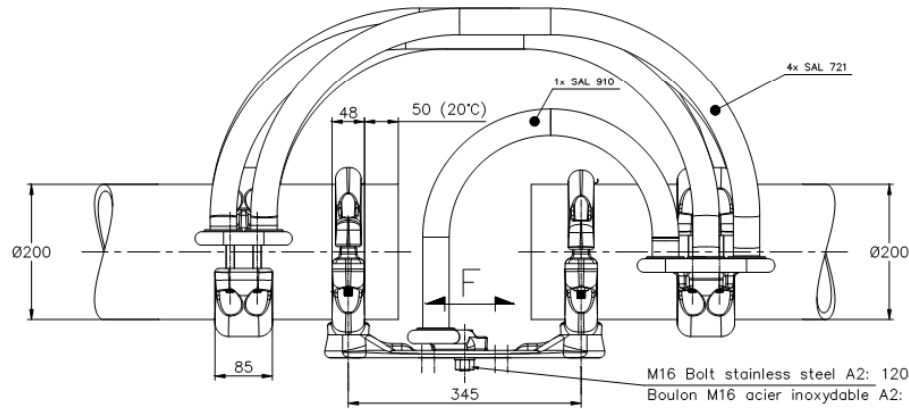
REVISIONS

P	LTR	DESCRIPTION	DATE	DWN	APVD
A		CREATION	15-APR-20	GL	-

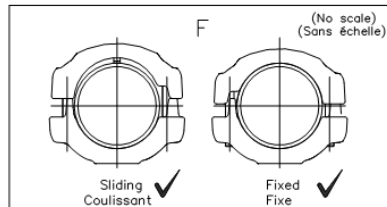


No scale
Sans échelle

M12 Bolts stainless steel A2: 60Nm
Boulons M12 acier inoxydable A2: 60Nm



M16 Bolt stainless steel A2: 120Nm
Boulon M16 acier inoxydable A2: 120Nm



THIS DRAWING IS A CONTROLLED DOCUMENT.

DIMENSIONS:		TOLERANCES UNLESS OTHERWISE SPECIFIED:	
mm			
0 PLC	±	-	
1 PLC	±	-	
2 PLC	±	-	
3 PLC	±	-	
4 PLC	±	-	
ANGLES	±	-	
MATERIAL	-	FINISH	-

DWN	LAFORGE	15-APR-20			
CHK	-	-			
APVD	-	-	NAME	FLEXIBLE JUNCTION BUSBAR SUPPORT ON BPI	
PRODUCT SPEC	108-69090-001			JUNCTION FLEXIBLE POUR TUBES SUR ISO	
APPLICATION SPEC	-			5 TJL 82 P5-P225 19 TR200 47 (M16)	
WEIGHT	32.74	SIZE	A3	CAGE CODE	00779
CUSTOMER DRAWING		DRAWING NO	C=2372639	RESTRICTED TO	-
SCALE	1:6	SHEET	1 of 1	REV	A