

THIS DRAWING IS UNPUBLISHED.

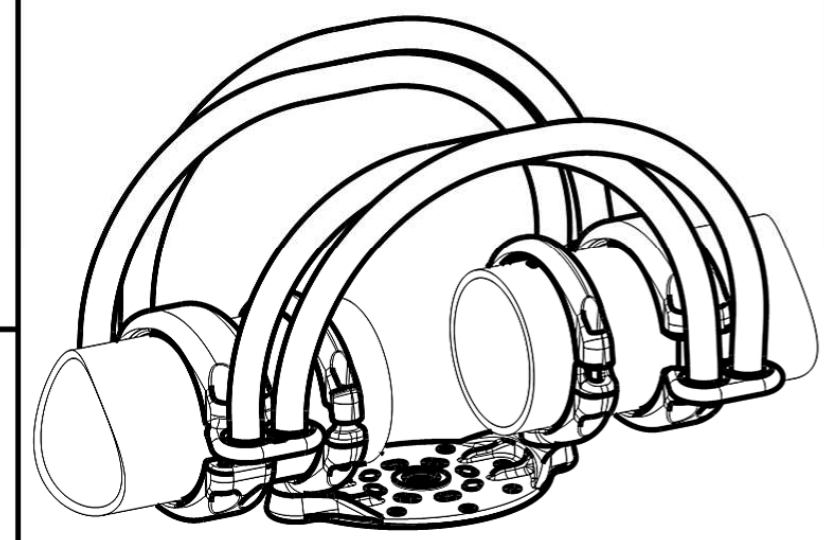
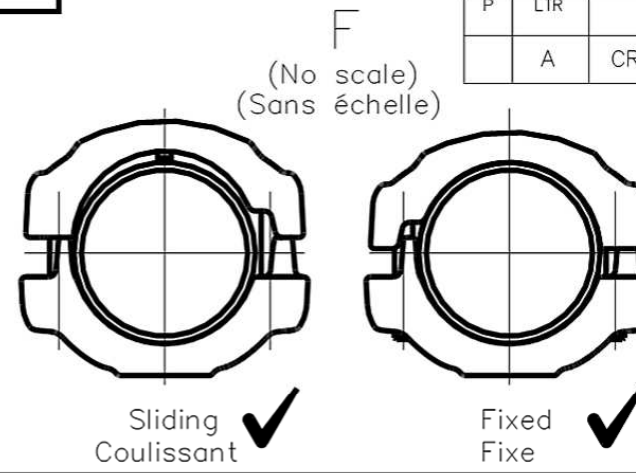
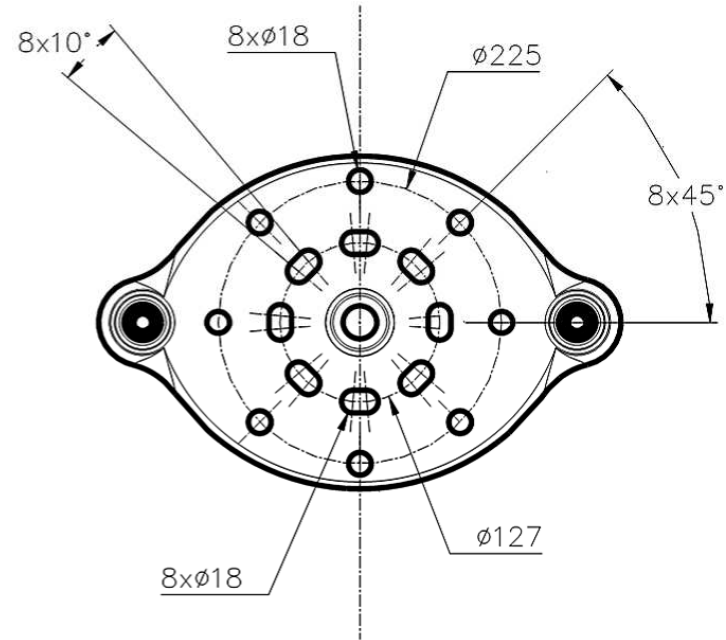
RELEASED FOR PUBLICATION

ALL RIGHTS RESERVED.

© COPYRIGHT - By -

REVISIONS

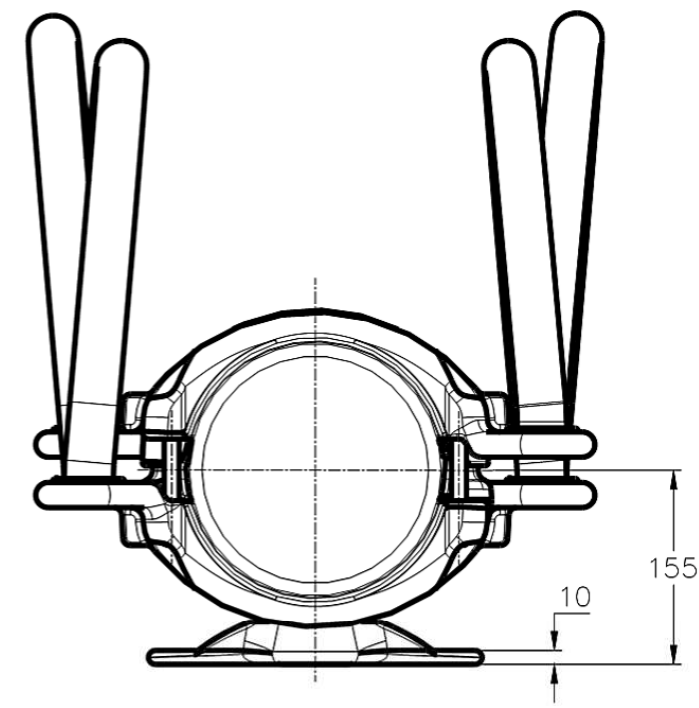
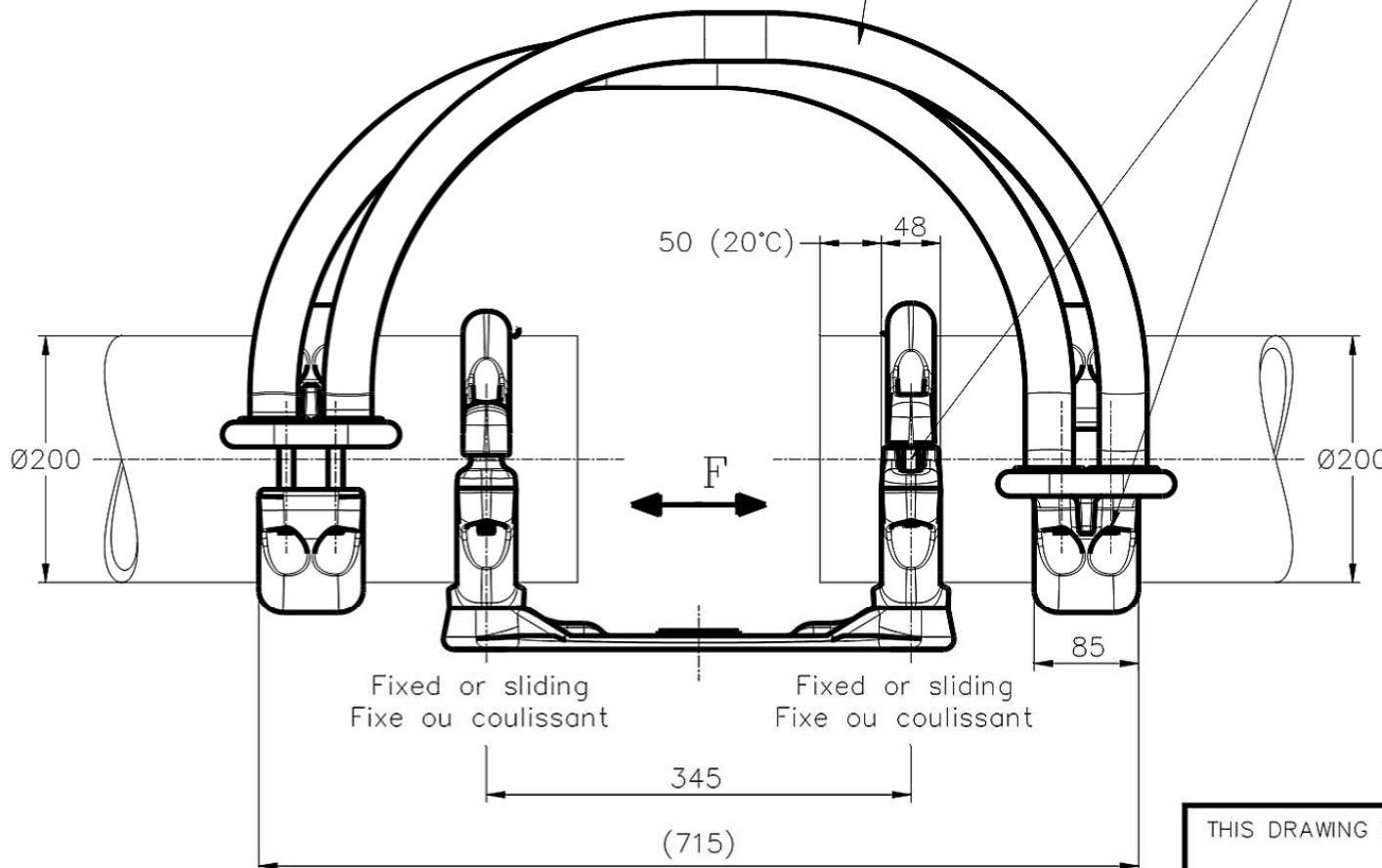
P	LTR	DESCRIPTION	DATE	DWN	APVD
A	CREATION		21-Jun-17	MP	-



No scale
Sans échelle

M12 Stainless steel bolts A2: 60Nm
Boulons M12 acier inoxydable A2: 60Nm

4x Cables SAL 721



THIS DRAWING IS A CONTROLLED DOCUMENT.

DIMENSIONS:	TOLERANCES UNLESS OTHERWISE SPECIFIED:
mm	
Ø	± -
PLC	± -
PLC	± -
PLC	± -
PLC	± -
PLC	± -
ANGLES	± -

MATERIAL

DWN	21-Jun-17
PREVOT	
CHK	-
APVD	-
PRODUCT SPEC	108-69090-001
APPLICATION SPEC	-
APPROX. WEIGHT	27.1 kg



NAME FLEXIBLE JUNCTION BUSBAR SUPPORT ON BPI
SUPPORT JONCTION SOUPLE POUR TUBE SUR ISO
5 TJL 82 P5-P225 TR200 47

SIZE	CAGE CODE	DRAWING NO	RESTRICTED TO
A3	00779	C=2321785	-

CUSTOMER DRAWING SCALE 1:6 SHEET 1 OF 1 REV A

ITEM:.....