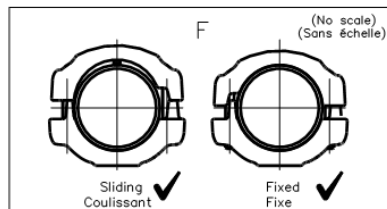
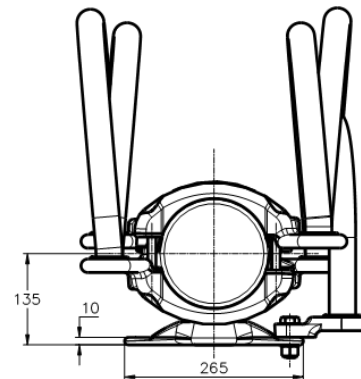
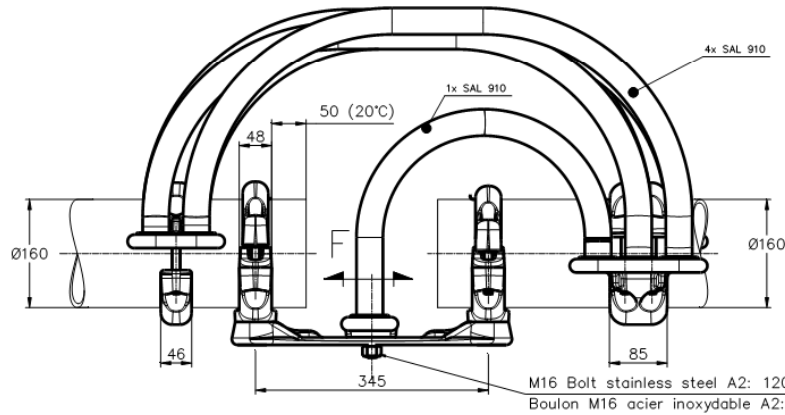
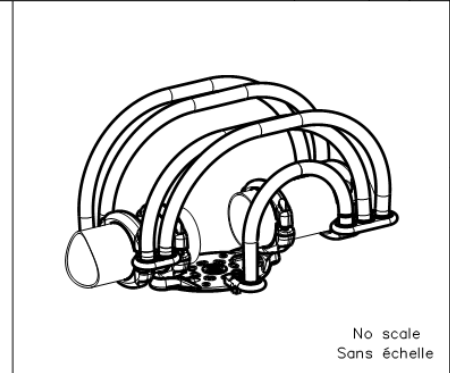


REVISIONS					
P	LTR	DESCRIPTION	DATE	DWN	APVD
A		CREATION	08-OCT-20	GL	-



THIS DRAWING IS A CONTROLLED DOCUMENT.

DIMENSIONS:		TOLERANCES UNLESS OTHERWISE SPECIFIED:	
mm		0 PLC	± -
		1 PLC	± -
		2 PLC	± -
		3 PLC	± -
		4 PLC	± -
		ANGLES	± -
MATERIAL		FINISH	
-		-	

DWN	LAFORGE	08-OCT-20		
CHK	-	-		
APVD	-	-	NAME	FLEXIBLE JUNCTION BUSBAR SUPPORT ON BPI
PRODUCT SPEC	108-69090-001			JUNCTION FLEXIBLE POUR TUBES SUR ISO
APPLICATION SPEC	-			5 TJL 82 P5-P225 19 TR160 49 (M16)
WEIGHT	27.6	SIZE	CAGE CODE	DRAWING NO
CUSTOMER DRAWING		A3	00779	C=2380922
SCALE	1:6	SHEET	1 of 1	REV
				A