

4

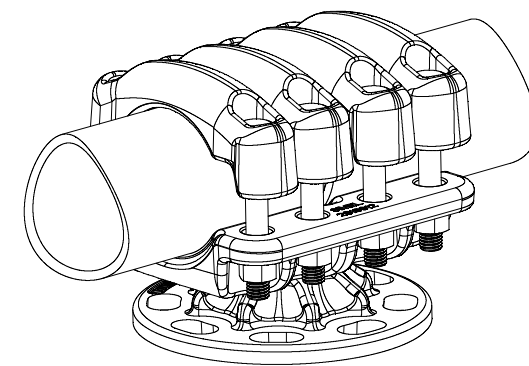
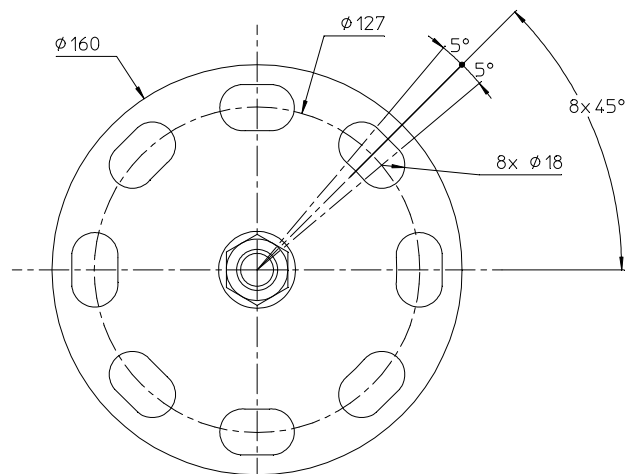
3

2

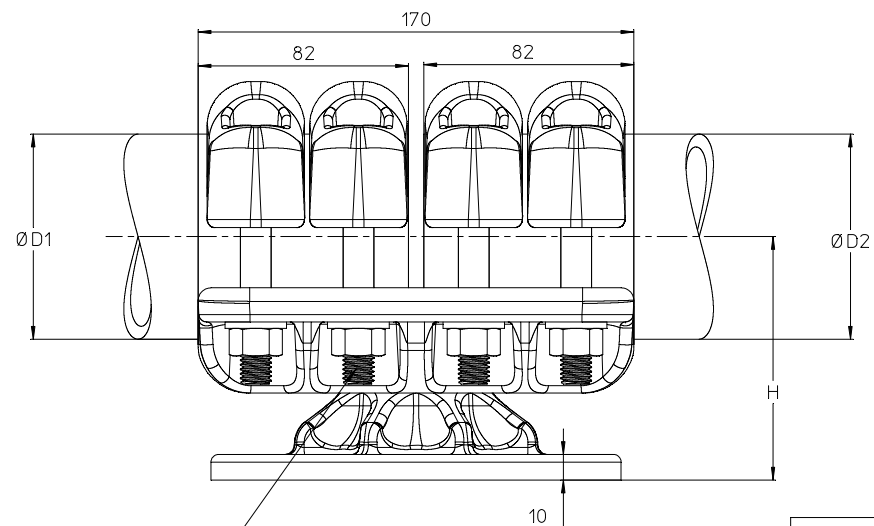
1

THIS DRAWING IS UNPUBLISHED.
 DIFFUSION RESTREINTE
 © COPYRIGHT 2011 by Tyco Electronics Corporation
 RELEASED FOR PUBLICATION
 LIBRE A LA DIFFUSION
 2011
 ALL RIGHTS RESERVED.
 TOUS DROITS RESERVES

LOC	DIST	REVISIONS				
P	LTR REV	DESCRIPTION MODIFICATIONS	DATE	DWN DESS	APVD APPR	
-	-	A	CREATION	31-Oct-14	TC	-



No scale
 Sans échelle



M12-A2: 60Nm

10

H	95
ØD2	80
ØD1	80

THIS DRAWING IS A CONTROLLED DOCUMENT. <small>LE PLAN EST UN DOCUMENT CONTROLÉ PAR TYCO ELECTRONICS CORPORATION IL EST SUSCEPTIBLE D'ÊTRE REVISÉ POUR OBTENIR LA DERNIÈRE RÉVISION CONTACTER LE SERVICE TECHNIQUE DE TYCO ELECTRONICS S.M.E. SAS 4220 LEVREY-CHAMBERTIN, FRANCE</small>		DWN /DESSINE CHARTON 31-Oct-14	TE connectivity SIMEL PRODUCTS	
DIMENSIONS: mm		CHK/VERIFIE -	NAME TITRE	
TOLERANCES UNLESS OTHERWISE SPECIFIED PER TOLERANCES NON SPECIFIEES SELON : -		APVD/APPROUVE -	BUS JUNCTION SUPPORT SUPPORT JONCTION POUR TUBE 5 TJ 82 P5 T80	
MATERIAL MATIERE -		FINISH FINITION -	PRODUCT SPEC SPEC. PRODUCT 108-69090-001	SIZE FORMAT A3
M12-A2: 60Nm		APPLICATION SPEC SPEC. APPLICATION -	WEIGHT MASSE APPROX. 4 KG	CAGE CODE 00779
ITEM:		DRAWING NO No PLAN C=2839168		RESTRICTED TO RESERVE A -
1470-19 (3/10)		CUSTOMER DRAWING /PLAN CLIENT		UNIQUEMENT POUR REFERENCE
		SCALE ECHELLE NTS		SHEET FEUILLE 1 OF DE 1
		REV A		