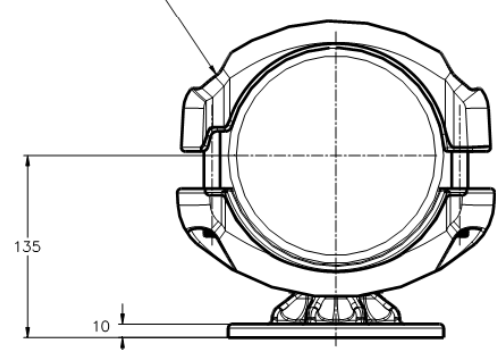
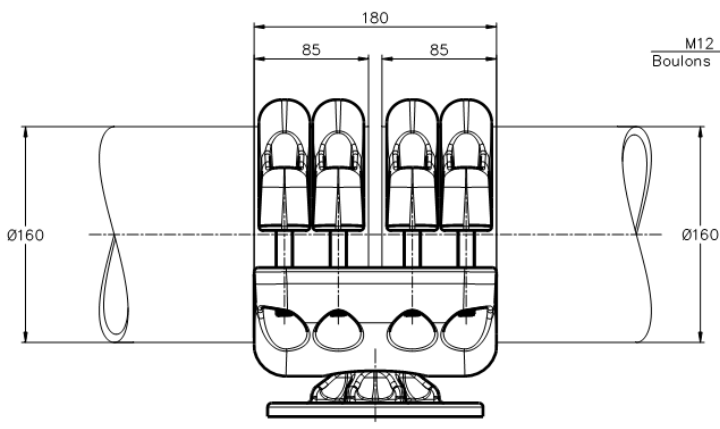
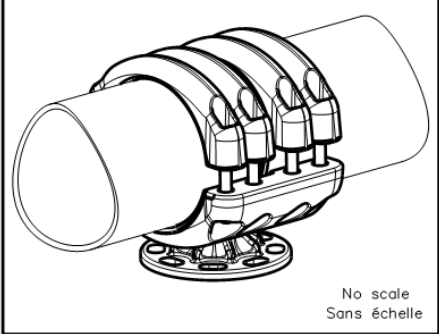
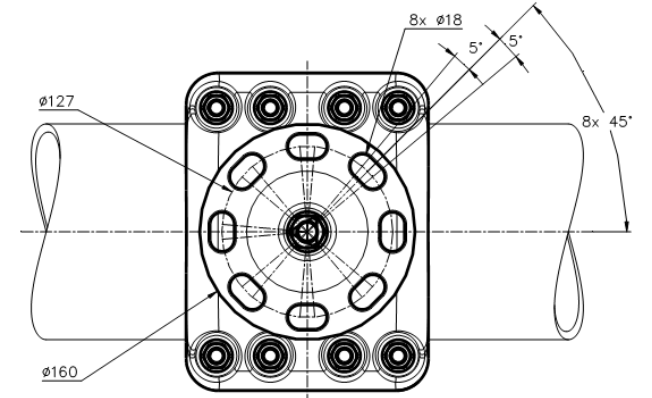


THIS DRAWING IS UNPUBLISHED. RELEASED FOR PUBLICATION
 © COPYRIGHT - By - ALL RIGHTS RESERVED.

REVISIONS					
P	LTR	DESCRIPTION	DATE	DWI	APVD
A		CREATION	08-Aug-16	JG	-



THIS DRAWING IS A CONTROLLED DOCUMENT.		DWI GODARD	08-Aug-16	STE TE Connectivity	
DIMENSIONS: mm		CHK -	APVD -		
TOLERANCES UNLESS OTHERWISE SPECIFIED:		PRODUCT SPEC 108-69090-001		BUS JUNCTION SUPPORT FOR TUBES SUPPORT JONCTION POUR TUBES 5 TJ 82 P5 T160	
<ul style="list-style-type: none"> Ø PLC ± - 1 PLC ± - 2 PLC ± - 3 PLC ± - 4 PLC ± - ANGLES ± - 		APPLICATION SPEC -		SIZE	CAGE CODE
MATERIAL -		APPROX. WEIGHT 6.7 kg		A3	00779
FINISH -		CUSTOMER DRAWING		C=2830931	RESTRICTED TO -
		SCALE 1:3		SHEET 1 of 1	REV A

ITEM:.....